

**THE ENGINEER'S CHOICE FOR WELL DESIGNED VEHICLES**



**PRODUCT CATALOG  
2014**

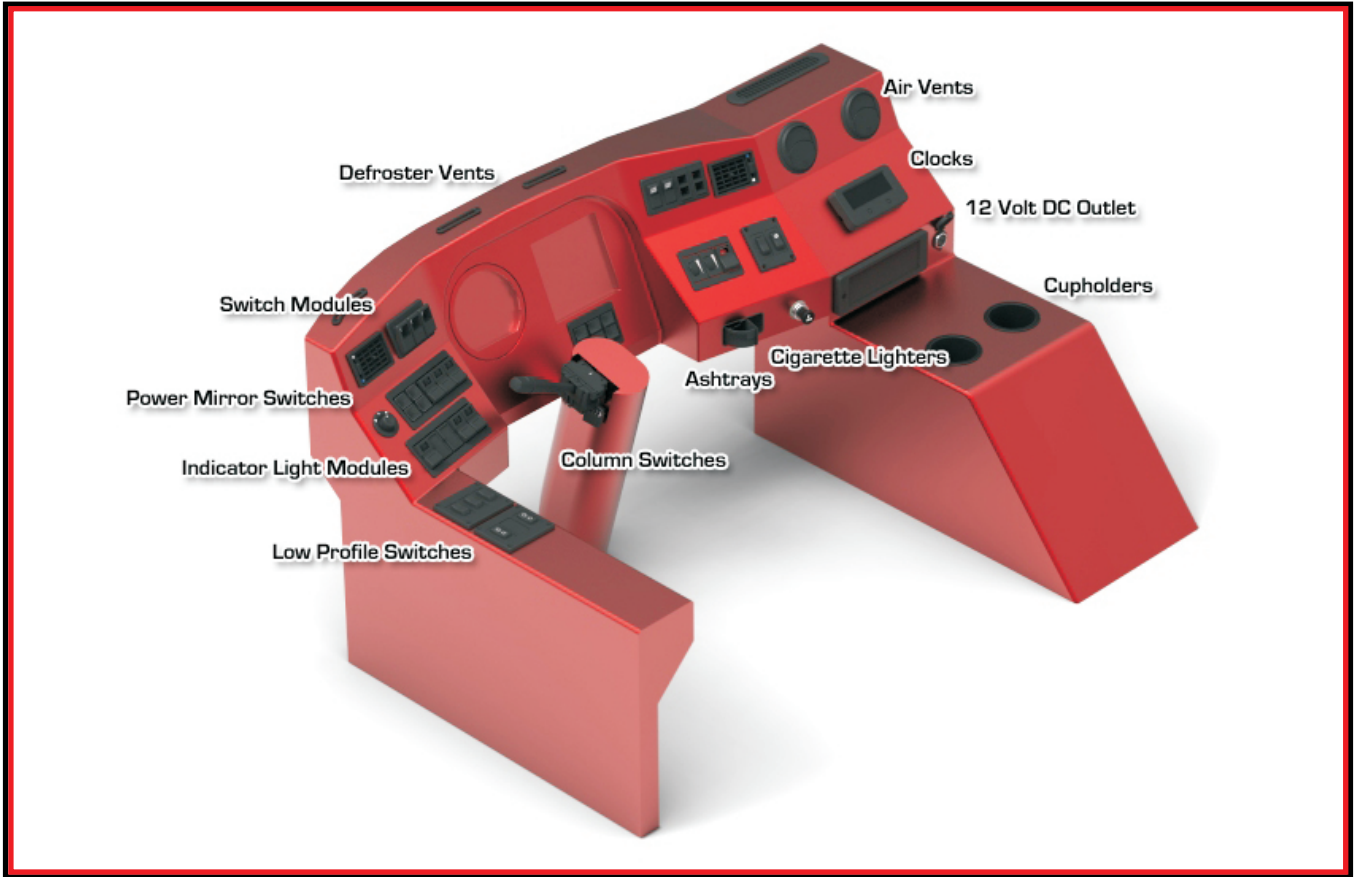
EURAMTEC CORPORATION  
29650 GRAND RIVER AVE.  
FARMINGTON HILLS, MI 48336  
TEL: 248-473-8660  
FAX: 248-473-8662  
EMAIL: [sales@euramtec.com](mailto:sales@euramtec.com)  
WEB: [www.euramtec.com](http://www.euramtec.com)



**v3.5.7**



# Instrument Panel



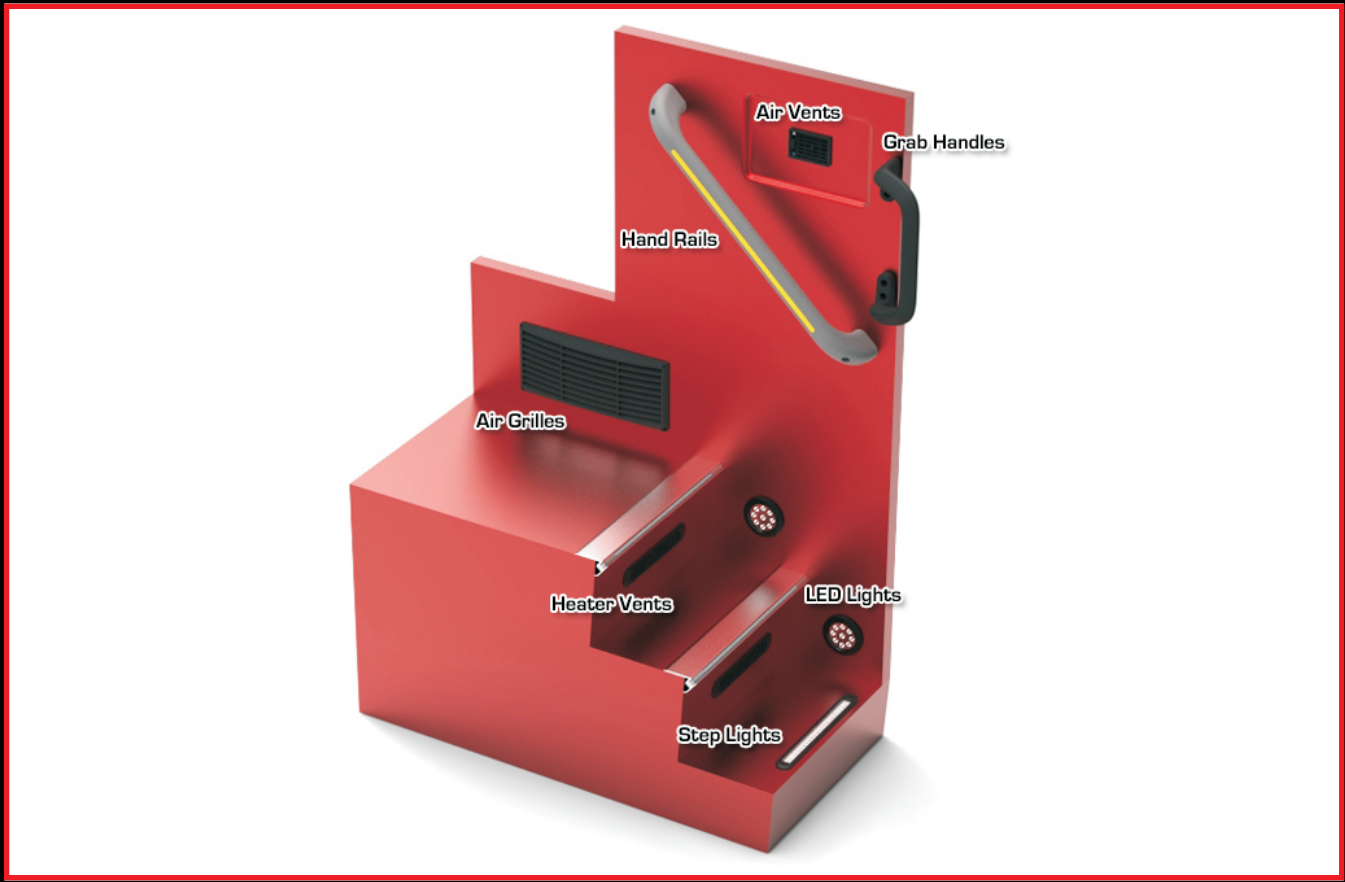
# Door Panel



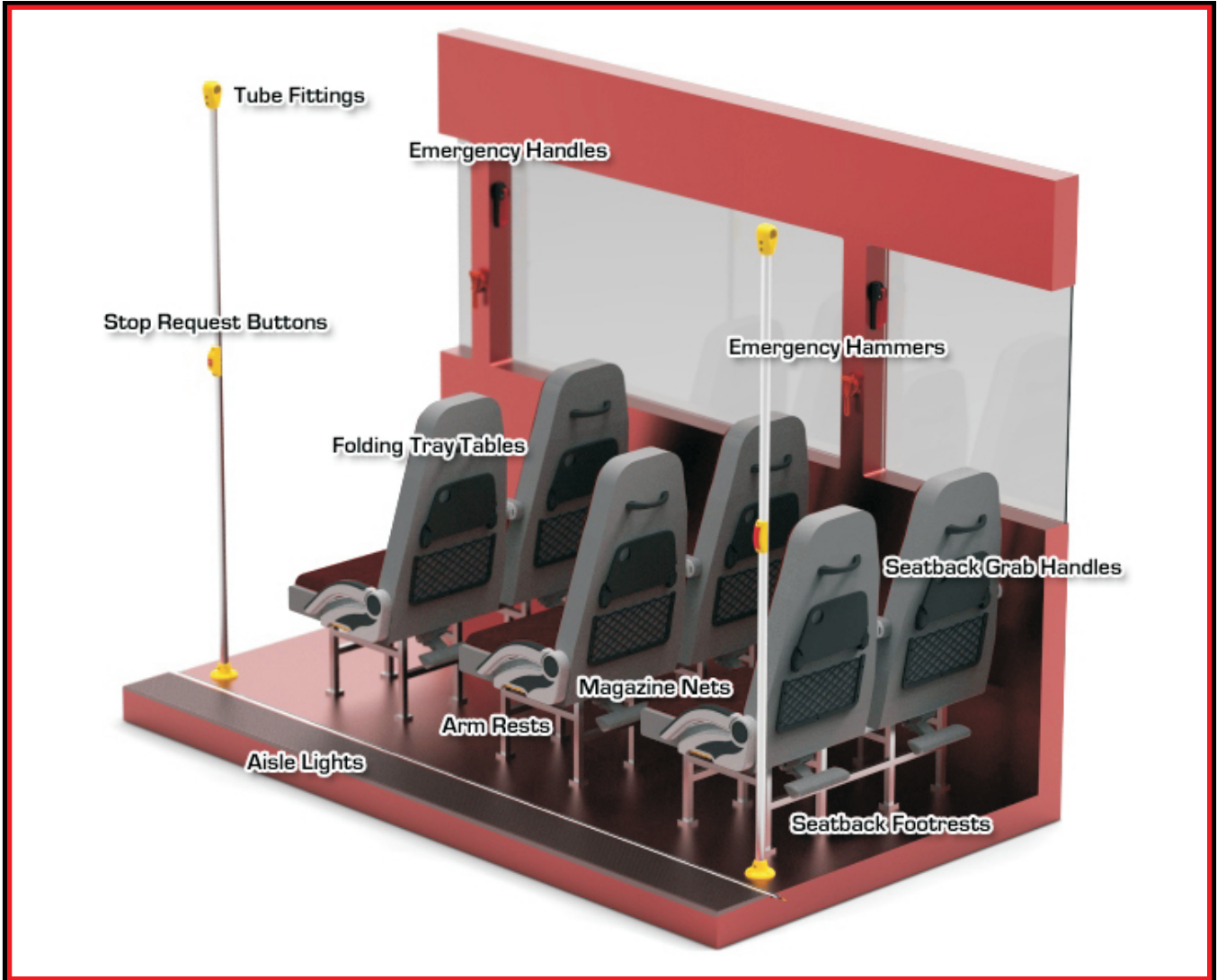
# Vehicle Interior



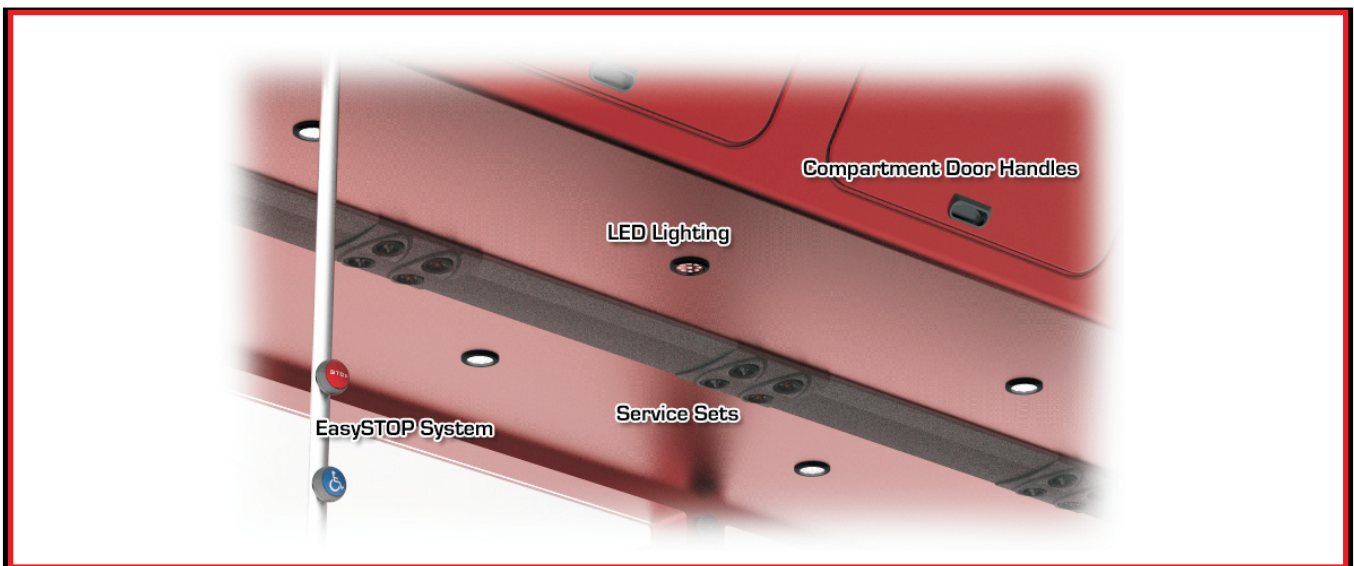
# Bus Entrance



# Passenger Seats



# Interior Overhead



# TABLE OF CONTENTS

## **Section A: Switches and Modules**

- Rocker Switches/Modules
- Indicator Lights
- Home Style Switch
- Low-Profile Switches
- Power Window Switches
- Power Mirror Switches
- Timed Switches
- Door Jamb Switches
- Recessed Magnetic Switches
- Wireless Contacts
- Instrument Panel Rheostats
- Multi-Function Column Switches

## **Section B: Relays and Electronics**

- Power & Timing Relays
- Express Window Modules
- Audible Devices
- Multi-Tone Alarm Siren

## **Section C: Interior Lighting**

- Reading Lights
- Utility Light
- LED Lamps
- LED Lighting
- Fiber Optic Aisle/Step Lights

## **Section D: Clocks and Signs**

- Digital Bus Clocks/Thermometers
- Bus Signs

## **Section E: Ventilation Components**

- Adjustable/Rotating Air Diffusers
- Defroster Grilles
- Reducers/Connectors
- Air Extractor

## **Section F: Door Handles/Lock Components**

- Interior Door Handles
- Locking Door Handles
- Electronic Door Handles
- Door Lock Actuators
- Centralized Locking Modules
- Door Lock Hardware
- Lock Accessories

# TABLE OF CONTENTS

## **Section G: City Bus/Coach Accessories**

- Rack-Mounted Grab Straps
- Luggage Compartment Handles
- Entrance Hand Rails
- Driver/Passenger Modesty Panels
- Emergency Escape Hammers
- City Bus Tubing Supports
- Stop Request/Call Buttons
- Wireless Stop Request System
- Exterior Push Buttons
- Passenger Service Sets

## **Section H: Seat Accessories**

- Seatback Grab Handles
- Magazine Nets/ Holders
- Folding Table Trays
- Seatback Footrests
- Swing-Out Refuse Bins
- Custom Seat Accessories (Armrests, Handles, etc.)

## **Section I: Grab Handles**

- Entry Grab Handles
- Safety Grab Handles

## **Section J: Motors**

- High-Torque Lift Motor

## **Section K: Accessories**

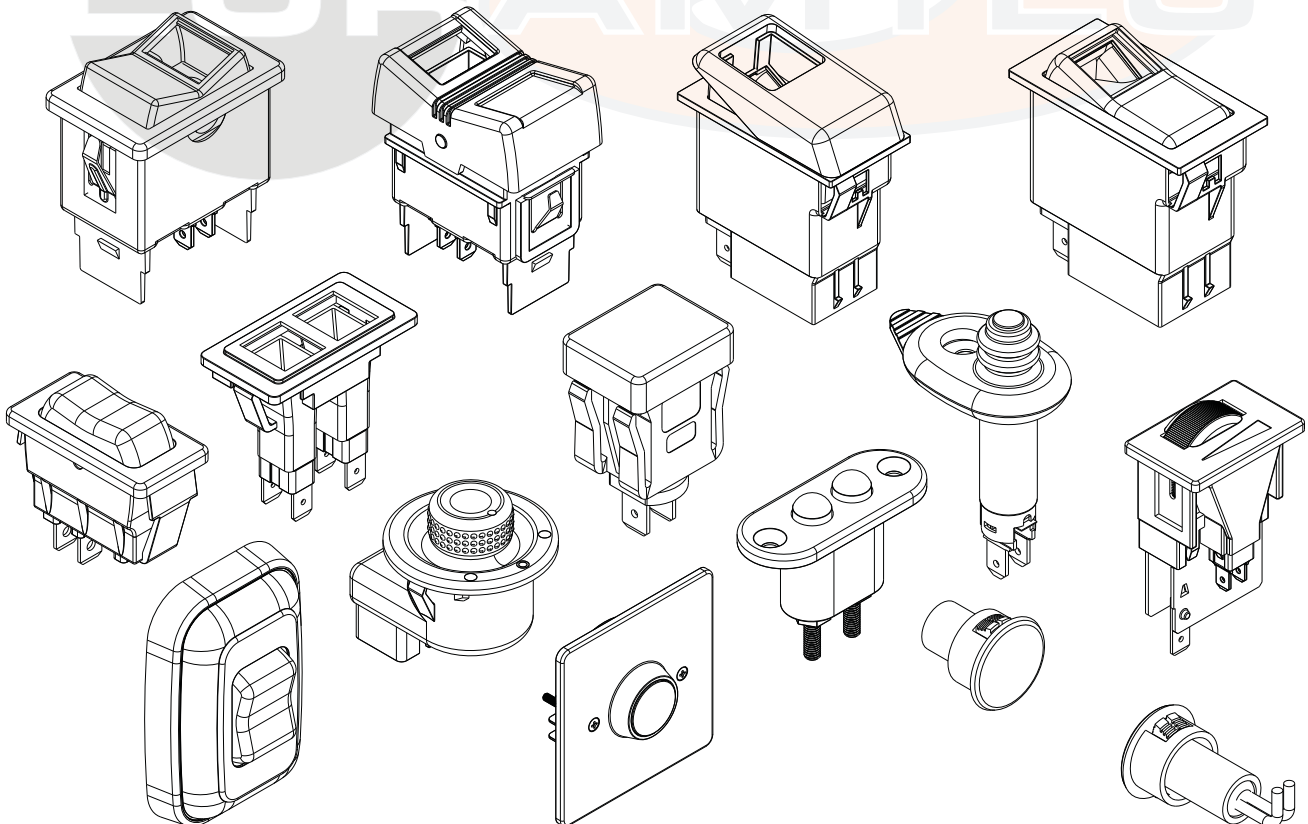
- Cup Holders
- Coat Hooks
- Cigarette Lighters/DC Power Outlets
- Ashtrays

## **Index**

- Appendix A: NP Modular Switch System
- Appendix B: NP Indicator Lights
- Appendix C: JK Modular Switch System

## SECTION A: SWITCHES AND MODULES

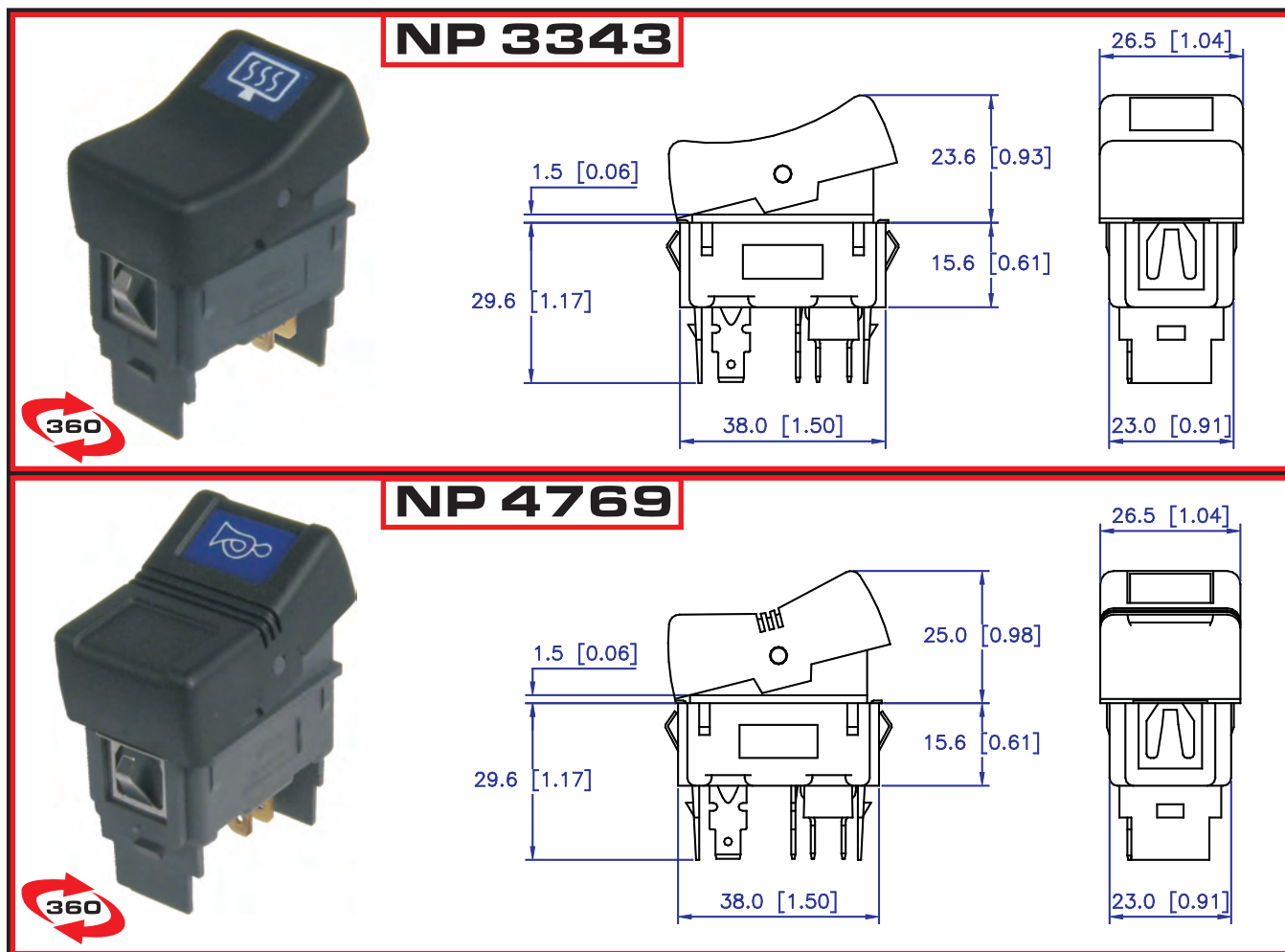
- NP Series Flush Mount Rocker Switches
- NP Series Panel Mount Switches
- JK Series Rocker Switches
- NP/JK Series Indicator Lights
- AH-Series Home-Style Switch
- S-1304 Defroster Switch
- S-1306 Fog Light Switch
- S-2025 On/Off Switch
- S-1737 Reversing Switch
- S-3334L Door Lock Switch
- A-1838 Power Window Switches
- S-10538 Power Mirror Switch
- S-JK801S Power Mirror Switch
- S-JK707S Power Mirror Switch
- S-104789 Power Mirror Switch
- S-PTEMP-001 Time-Delay Switch
- S-4594 Door Jamb Switch
- S-206 Door Jamb Switch
- S-EUR77CBGL Recessed Magnetic Switch
- S-2415X Series Wireless Door Contacts
- S-30K Wireless Door Contact Kit
- S-4613-12 Rheostat
- S-99123-M Multi-Function Column Switch



EURAMTEC CORP, 29650 GRAND RIVER AVE., FARMINGTON HILLS, MI 48336  
TEL: 248-473-8660 FAX: 248-473-8662 EMAIL: SALES@EURAMTEC.COM

## NP Series Flush Mount Rocker Switches

The NP Series Rocker Switches offer unmatched versatility and reliability for any OEM or aftermarket application. The NP Series Switches are custom ordered, built to your specifications, with nine circuit diagrams to choose from, two switch styles, two voltage levels, four different identification lens colors, and over two hundred different standard graphics available.



Additionally, the switches can be assembled as a complete module, with two to six switches. The modules can also include custom-ordered indicator lights, or Euramtec's S-4613 rheostat for a dimming feature. Please see Appendix A of this catalog for a complete explanation of the Modular Switch System.

### Specifications:

Contact Ratings: 12VDC, 20A or 24VDC, 15A

Operational Temp: -30 to +80C

Endurance: 50,000 Cycles @ 20A, 12V

20,000 Cycles @ 15A, 24V

### Euramtec Corporation

29650 Grand River Ave.  
Farmington Hills, MI  
48336-5622 U.S.A.

WWW.EURAMTEC.COM



Tel: (248) 473-8660  
Fax: (248) 473-8662  
sales@euramtec.com

## NP Series Panel Mount Switches

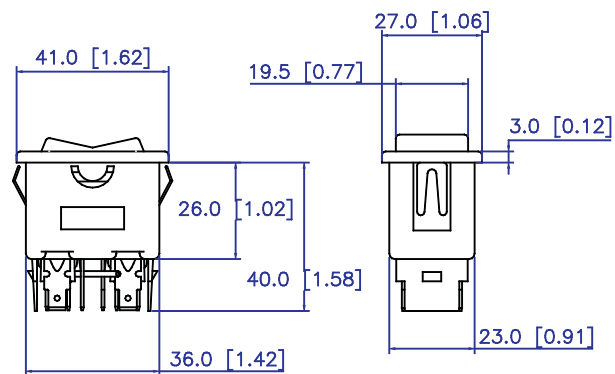
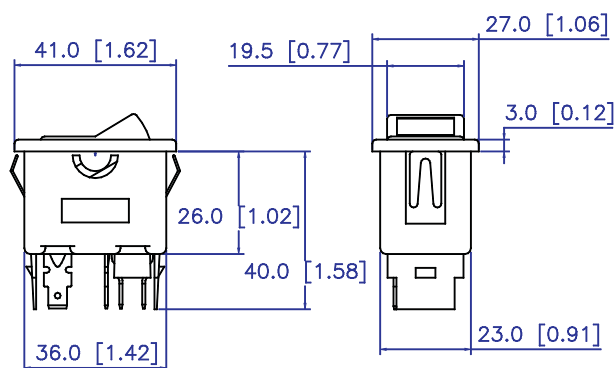
In the same line as the NP Flush Mount Series, the NP Panel Mount Switches allow numerous customization possibilities to fit your application. Options include nine switch diagrams, 12 or 24 volt illumination, four lens colors, and a large library of standard identification graphics.

Although the Panel Mount Switches don't offer all of the modular options of the NP Flush Mount, a series of one, two, and four-gang bezels are available to complete the finish. For more information about the options of this series, see Appendix A.

### NP 4720



### NP 4821



#### Specifications:

Contact Ratings: 12VDC, 20A or 24VDC, 15A  
 Operational Temp: -30 to +80C  
 Endurance: 50,000 Cycles @ 20A, 12V  
 20,000 Cycles @ 15A, 24V

### Euramtec Corporation

29650 Grand River Ave.  
 Farmington Hills, MI  
 48336-5622 U.S.A.

WWW.EURAMTEC.COM



Tel: (248) 473-8660  
 Fax: (248) 473-8662  
 sales@euramtec.com

## JK Series Rocker Switches

Following the lineage of the successful NP Series, the JK Series Switches take the Modular Switch System concept to a new level. With options such as eight switch diagrams, varying voltage range, four colored lenses, and numerous identification graphics, each switch can be tailored specifically to your application.

Most notably, the JK Series features a “snap-together” bezel concept. Interlocking bezel components allow you to choose how many switches are in a module, with no limit. Indicator light inserts can also be part of an assembled module. For more information about the JK Series, see Appendix C.

All JK Series switches and indicator lights feature colored LEDs for vibrant, long-lasting illumination.

### JK991



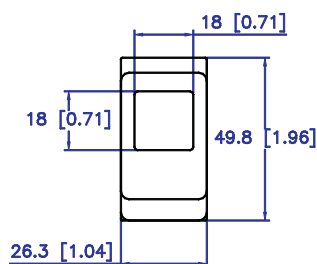
### JK931



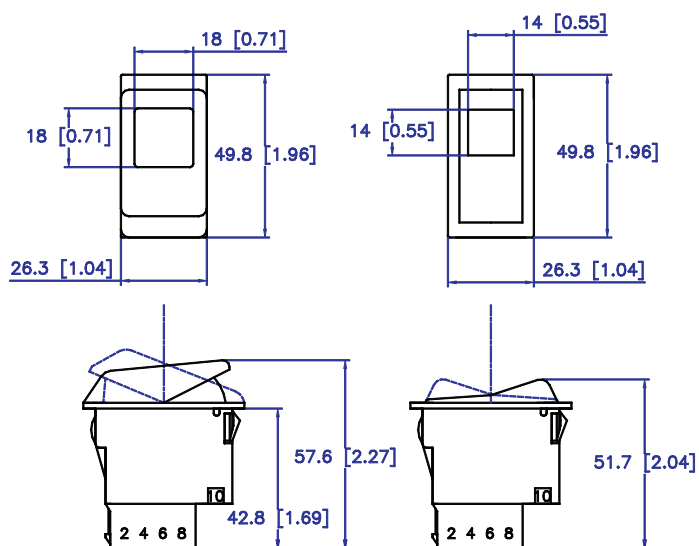
#### Specifications:

Contact Ratings: 16A, 12VDC & 8A, 24VDC  
 Endurance: 20,000 Cycles @ 16A, 12V  
 20,000 Cycles @ 8A, 24V  
 LED Type: 9FF713-627 Socket Assembly  
 Voltage Rating: 12 or 24VDC  
 LED Color: Green, Blue, Red, or Yellow

### JK991



### JK931



**Euramtec Corporation**

29650 Grand River Ave.  
 Farmington Hills, MI  
 48336-5622 U.S.A.

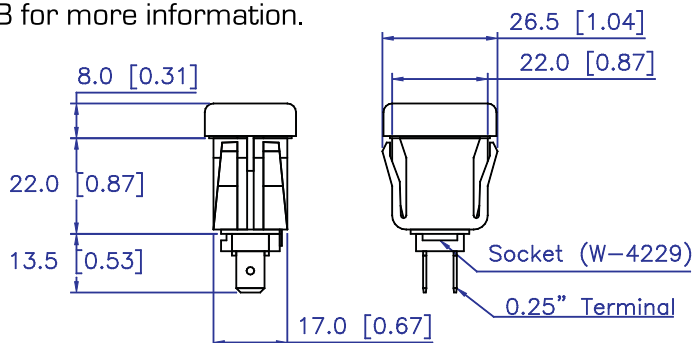
WWW.EURAMTEC.COM



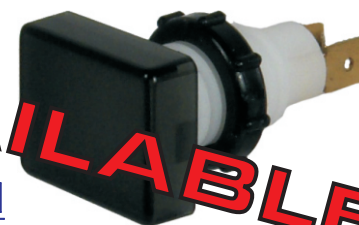
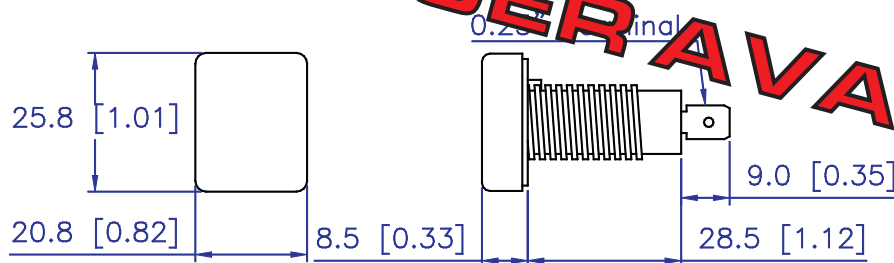
Tel: (248) 473-8660  
 Fax: (248) 473-8662  
 sales@euramtec.com

## Indicator Lights and Modules

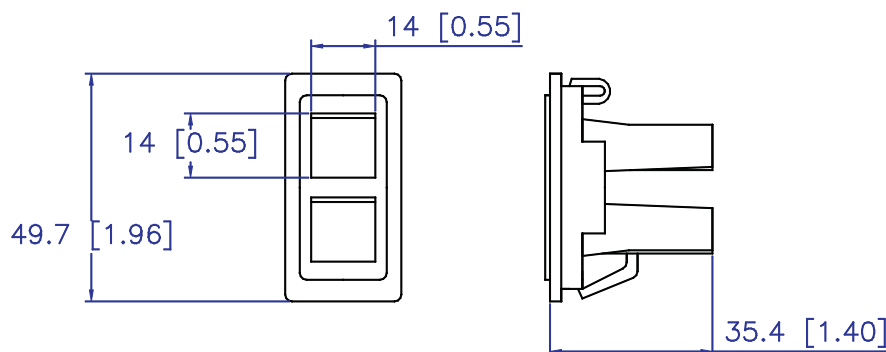
The 23-Series Deluxe Indicator Light is the ideal choice for warning and function lights. Available in 12 or 24 volts, the 23-Series also offers a wide range of standard and custom graphics. The 23-Series Indicator Light is also compatible with the NP Series Flush Mount Switches, see Appendix A and B for more information.



The 28-Series Economy Indicator Light is a generic indicator assembly for warning and function lights. The 28-Series shares many components with the 23-Series, including its extensive graphic library and customization possibilities. The 28-Series easily installs in any surface with a 1/2-inch round hole and can be supplied with mating connectors and 1/4-inch female terminals to ease in installation. For more information on how to customize the 28-Series for your application, please see Appendix B of this catalog.



The JK-Series Indicator Light Module accommodates two indications in one housing. Two 1/2 inch square lenses can be selected from an extensive library of standard graphics, or custom printed to fit your application. All JK-Series Indicator Lights are illuminated by colored LEDs, and can be incorporated into a JK-Series switch module. For more information on the customization possibilities of this series, please see Appendix C.



### Euramtec Corporation

29650 Grand River Ave.  
Farmington Hills, MI  
48336-5622 U.S.A.

WWW.EURAMTEC.COM



Tel: (248) 473-8660  
Fax: (248) 473-8662  
sales@euramtec.com

# AH-Series Home-Style Switches



Elegant and versatile, the AH series of switches are perfect for any interior application. Available in both AC and DC operation, the interior switches will add a touch of that “at home” feeling to any bus or RV.

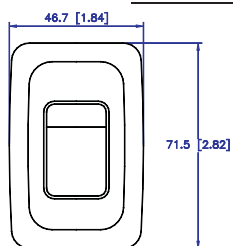
With a variety of different switching diagrams available, it is the ideal choice for many applications, including lighting and ventilation fans; include one of Euramtec’s timing relays for a time delay switch feature.

The interior switches can be assembled in a 1, 2, 3, or 4-gang panel. For installation in pre-existing applications, or in cases where installation depth is at a premium, a spacer frame can be included for a near surface-mount panel.

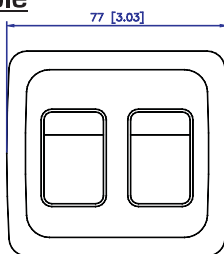
Available in white, brown, black, or almond color to match any interior color-theme.

Upon request, text may be printed on the cover bezel for switch function identification [fee applies/min. order qty.].

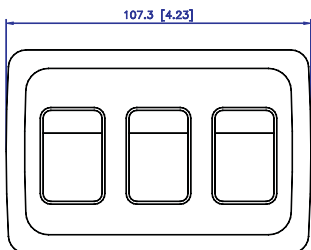
## Switches Available



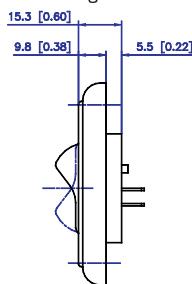
Single Bezel



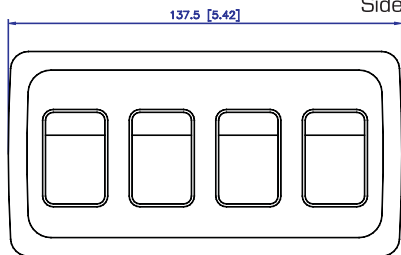
2-Gang Bezel



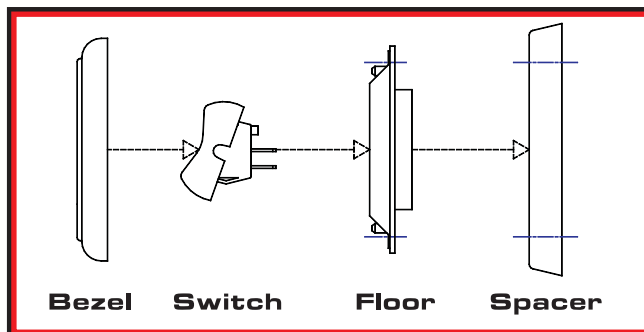
3-Gang Bezel



Side View



4-Gang Bezel



- Applications:**
- Interior Lighting
  - Exterior Lighting
  - Overhead Lighting
  - Ventilation Fans
  - Timed Switches
  - Appliance Switching

- Specifications:**
- Electrical Rating: 10-28 VDC or 125-250 VAC
  - Current Rating: 3-10A
  - Approvals: UL, CSA, VDE
  - Available in Multiple Diagrams Including ON/OFF, Momentary, and Reversing Switches

## Euramtec Corporation

29650 Grand River Ave.  
Farmington Hills, MI  
48336-5622 U.S.A.

WWW.EURAMTEC.COM



Tel: (248) 473-8660  
Fax: (248) 473-8662  
sales@euramtec.com

## Low-Profile Switches

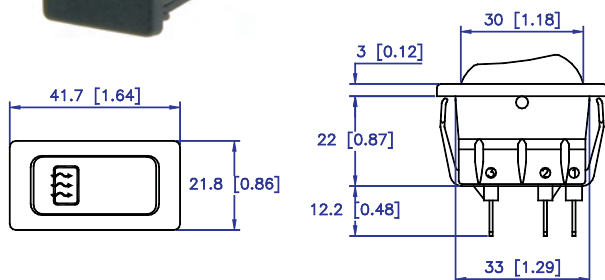
The Euramtec Low-Profile Switch Series offers a wide selection of sleek, multi-functional switches that can be used in doors, armrests, center consoles, dashboards, or anywhere else. All of the Low-Profile switches are compatible with Euramtec's B5x-Series bezels, and can be supplied with mating connector plugs and terminals for a complete set.



### S-1304M Defroster Switch



The S-1304M Switch is a standard ON/OFF momentary switch. Ideal for defroster applications, this switch can be used with Euramtec's S-73922312-12 Defroster Timing Relay for a complete defroster system. Switches come standard with defroster graphic and green LED illumination.



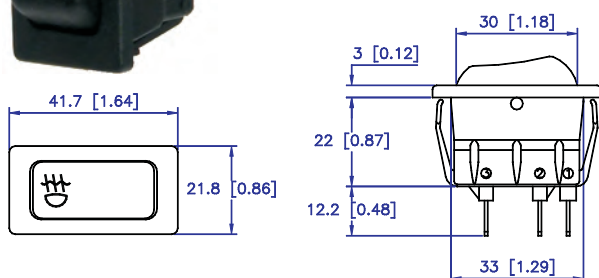
#### Specifications:

Switch Diagram: SPST  
ON/OFF  
Contact Rating: 15A/ 12VDC  
Endurance: 50,000 Cycles

### S-1306 Fog Light Switch



S-1306 Fog Light Switch comes standard with SAE approved fog light graphic.



#### Specifications:

Switch Diagram: SPST  
ON/OFF  
Contact Rating: 15A/ 12VDC  
Endurance: 50,000 Cycles

## Euramtec Corporation

29650 Grand River Ave.  
Farmington Hills, MI  
48336-5622 U.S.A.

WWW.EURAMTEC.COM



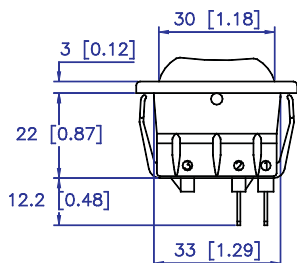
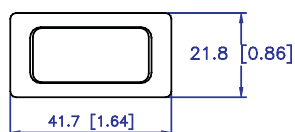
Tel: (248) 473-8660  
Fax: (248) 473-8662  
sales@euramtec.com

## Low-Profile Switches (Cont.)

### S-2025 ON/OFF Switch



The S-2025 is a generic ON/OFF switch ideal for a window lock switch, light switch, heater switch, and numerous other applications. Available as a standard ON/OFF switch, or as a momentary ON/OFF switch.



#### Specifications:

Switch Diagram: SPST

ON/OFF

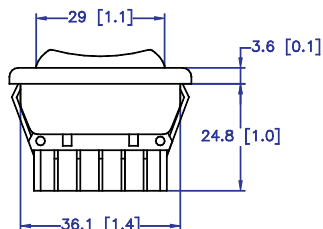
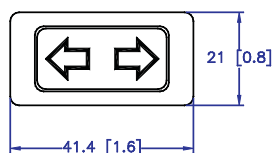
Contact Rating: 15A/12VDC

Endurance: 50,000 Cycles

### S-1737 Reversing Switch



The S-1737 Reversing Switch is the ideal choice for power windows, power seats, sun/moon roof, or any other function with 2-way movement. The switch is available in three models: A standard version with 2-way arrow graphics; a green LED-illuminated version; and an illuminated version with a seven-inch integrated pigtail.



#### Specifications:

Switch Diagram: DPDT

M ON/OFF/M ON

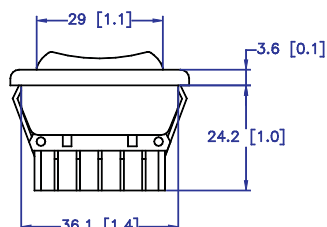
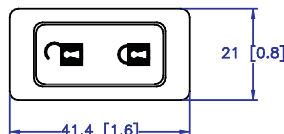
Contact Rating: 20A/12VDC

Endurance: 50,000 Cycles

### S-3334L Door Lock Switch



The S-3334L comes with custom Lock/Unlock graphics and green LED illumination. Ideal for use in power door lock systems.



#### Specifications:

Switch Diagram: DPDT

M ON/OFF/M ON

Contact Rating: 20A/12VDC

Endurance: 50,000 Cycles

**Euramtec Corporation**

29650 Grand River Ave.  
Farmington Hills, MI  
48336-5622 U.S.A.

WWW.EURAMTEC.COM



Tel: (248) 473-8660  
Fax: (248) 473-8662  
sales@euramtec.com

## Low-Profile Switch Bezels

All of Euramtec's Low-Profile Switches are compatible with the B5x-Series Bezels. The bezels are made from black ABS and conform to FMVSS 302 for flammability. A selection of function printing is available on the bezels. Custom printing is also available upon request.

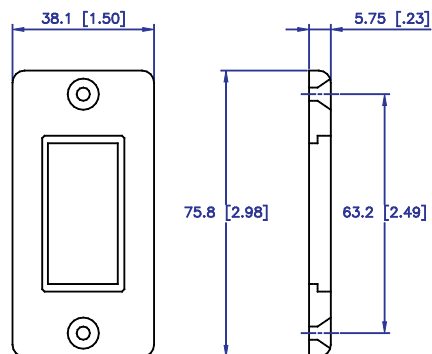
### S-B51



38.10 mm x 76.20 mm (1.50" x 3.00")

Standard Printing:

- A-B51x1 - Lock/Unlock
- A-B51x2 - Power Sofa Up/Down
- A-B51x3 - Power Sofa Fwrd/Back
- A-B51x5 - Sofa UP/Down (Horizontal)
- A-B51x6 - Up/Down
- A-B51x8 - Glide Room In/Out
- A-B51x9 - Lumbar (Horizontal)
- A-B51x10 - Power Lumbar (Horizontal)



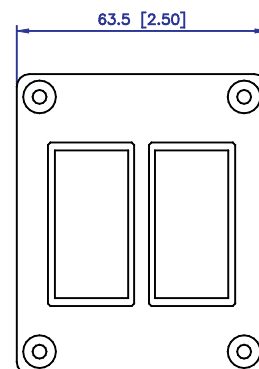
### S-B53



63.50 mm x 76.20 mm (2.50" x 3.00")

Standard Printing:

- A-B53x1 - Sofa Up/Down, Fwrd/Back
- A-B53x2 - Sofa Up/Down, Fwrd/Back (Horizontal)
- A-B53x3 - Up/Down, Up/Down
- A-B53x4 - Up/Down, Unlock/Lock
- A-B53x5 - Sofa Fwrd/Back, Unlock/Lock



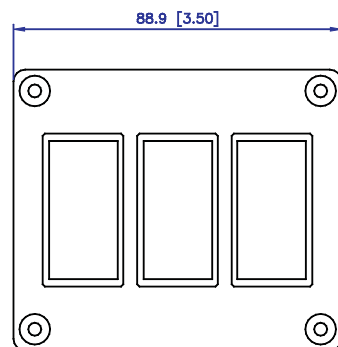
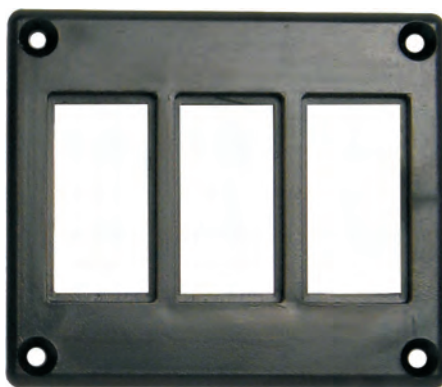
### S-B54



88.90 mm x 76.20 mm (3.50" x 3.00")

Standard Printing:

- A-B54x1 - Door Unlock/Lock, Sofa UP/Down, Fwrd/Back
- A-B54x2 - Unlock/Lock, Up/Down, Up/Down
- A-B54x8 - Glide Room In/Out



**Euramtec Corporation**

29650 Grand River Ave.  
Farmington Hills, MI  
48336-5622 U.S.A.

WWW.EURAMTEC.COM



Tel: (248) 473-8660  
Fax: (248) 473-8662  
sales@euramtec.com

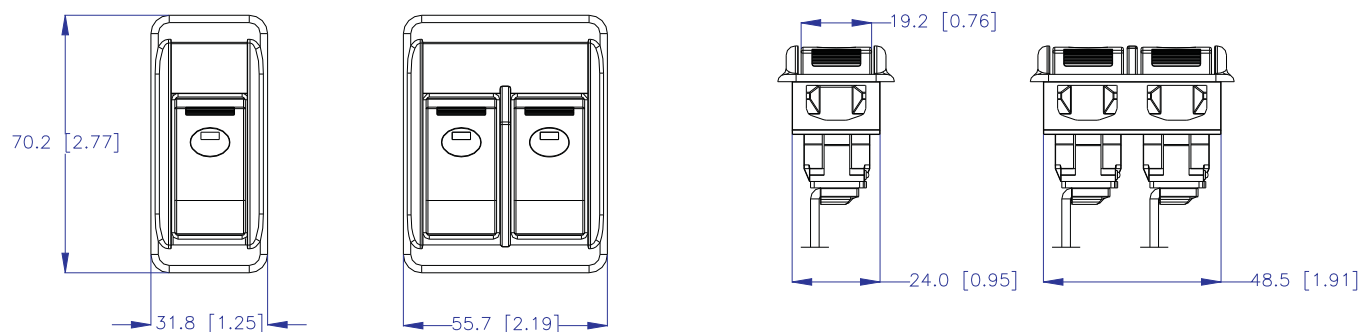
## Power Window Switches



Euramtec's 1838 Power Window Switch series is durable, stylish, and complies with FMVSS-118. In compliance with current NHTSA standards, the 1838 switches can only raise the window by intentionally pulling up on the switch knob. In this way, it is impossible to lift the power window by accidentally leaning on the switch.

The 1838 switch comes complete with bezel frame and 7-inch pigtail with 5-pin connector plug. Green LED on the knob is standard, and an SAE power window printed graphic is available upon request. Mating connector plug and terminals are also available.

The 1838 Power Window Switch is available as a single switch (p/n A-1838-1), or as a double switch module (p/n A-1838-2).



### Euramtec Corporation

29650 Grand River Ave.  
Farmington Hills, MI  
48336-5622 U.S.A.

[WWW.EURAMTEC.COM](http://WWW.EURAMTEC.COM)



Tel: (248) 473-8660  
Fax: (248) 473-8662  
[sales@euramtec.com](mailto:sales@euramtec.com)

# Mirror Switches

**S-10538**



Euramtec's most popular mirror switch, the S-10538 is an excellent choice for any OEM or after-market application. Simple to install and operate, the 10538 can also be supplied with mating connector plug and terminals.



**S-JK801S**



The S-JK801S is an attractive alternative to the popular 10538, with clearly defined "L" and "R" printing. Supplied with connector plug and terminals to ease in installation.



**S-JK707S**



Unique by design, the S-JK707S Mirror Switch offers a completely different style than Euramtec's other mirror switches. Comes complete with connector plug and terminals.



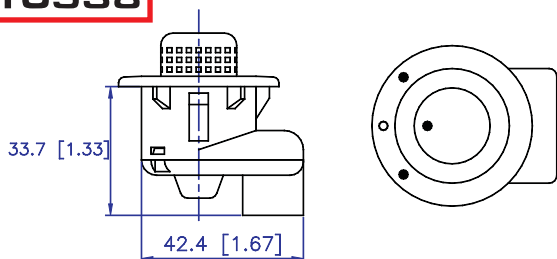
**S-104789**



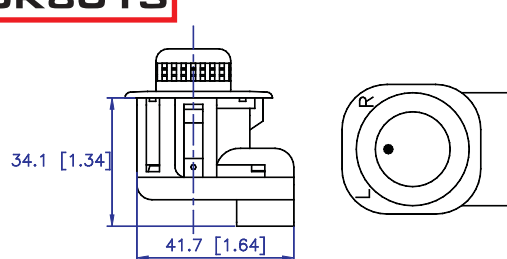
The S-104789 Mirror Switch is the most compact mirror switch Euramtec carries. Nearly flush when installed, the 104789 also has green LED illumination for visibility at night.



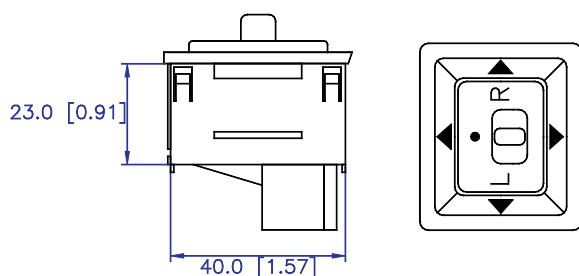
**S-10538**



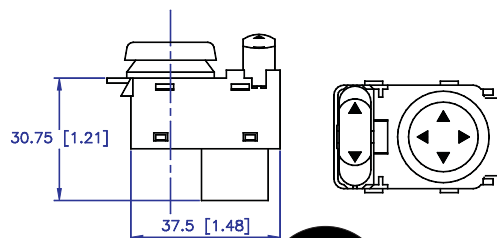
**S-JK801S**



**S-JK707S**



**S-104789**



**Euramtec Corporation**

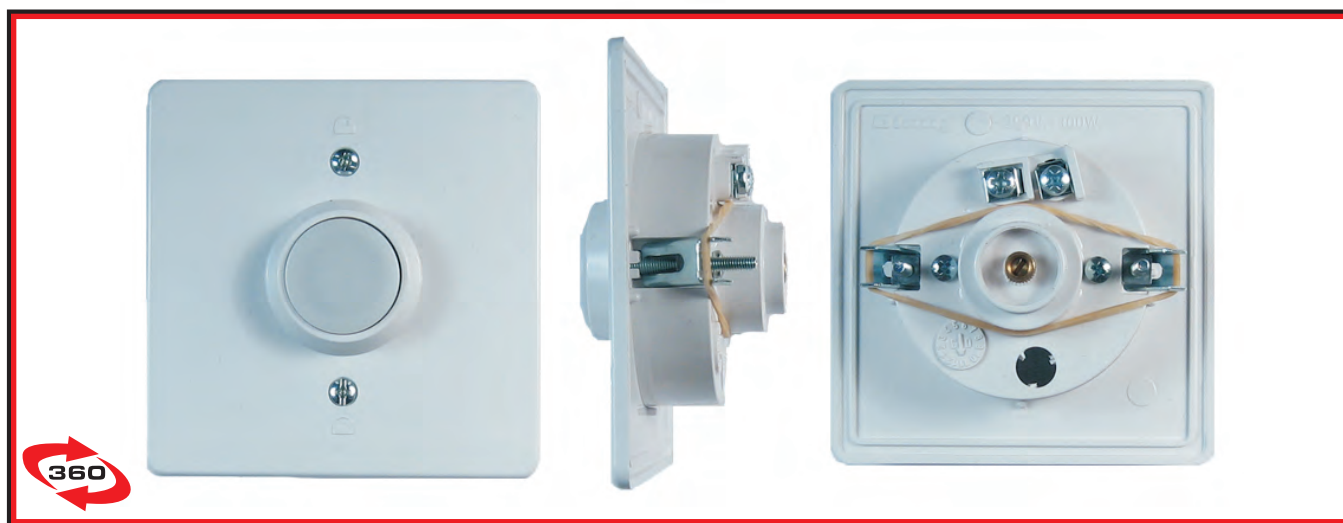
29650 Grand River Ave.  
Farmington Hills, MI  
48336-5622 U.S.A.

WWW.EURAMTEC.COM



Tel: (248) 473-8660  
Fax: (248) 473-8662  
sales@euramtec.com

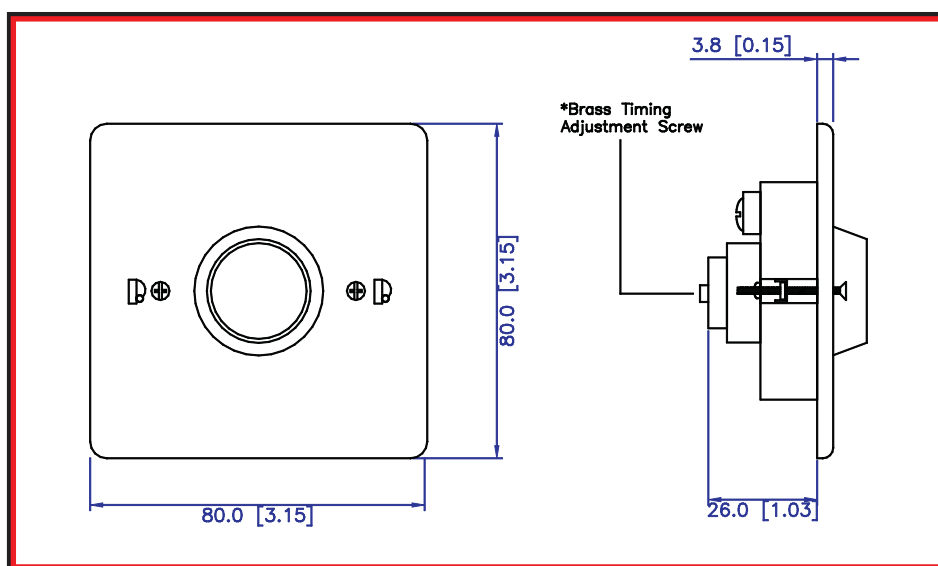
## S-PTEMP-001 Time-Delay Switch



The Euramtec PTEMP Timer Switch is ideal for use with bathroom lights or fan/light combinations, stairway lights, hall lights, or any application where functions are to be on a time limit.

The PTEMP can operate on either an AC or DC voltage system up to 250 volts. Capable of handling up to 300 watts of power.

Timing adjustment is achieved by means of a brass tension adjustment screw, located on the backside of the switch, and has a delay range of five seconds to five minutes.



### Euramtec Corporation

29650 Grand River Ave.  
Farmington Hills, MI  
48336-5622 U.S.A.

WWW.EURAMTEC.COM



Tel: (248) 473-8660  
Fax: (248) 473-8662  
sales@euramtec.com

## Door Jamb Switches

Euramtec Corporation is supplying the transportation industry with door jamb switches, with varying characteristics to fit your application.

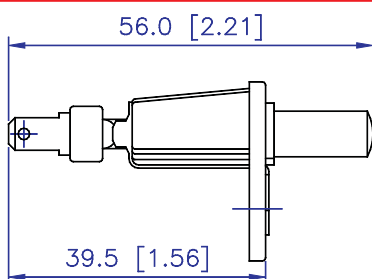
### S-4594



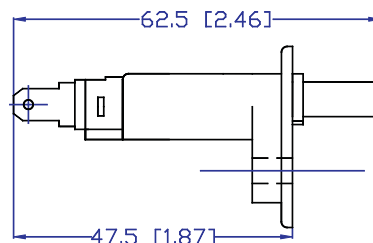
The S-4594 has been a staple in Euramtec's switch line for over 20 years, and is still one of our best selling products. This normally-closed plunger-style switch has two separated blade terminals, allowing the switch to be installed using two different methods: The "traditional" method by grounding the switch through the mounting screw hole at the base, or by simply completing the circuit through the two terminals individually. The S-4594 now comes standard with a rubber boot for added durability and weather protection.

### S-206

The S-206 is a more simplified version of the S-4594, with two blade terminals stamped from a single piece of stainless steel. Most notably, all the contact components of the S-206 are enclosed inside the switch housing, except for the blade terminal ends. Includes a rubber boot.



### S-4594



### S-206

#### Specifications:

	S-4594	S-206
Diagram:	NC/SPST	NC/SPST
Contact Rating:	5A, 35VDC	5A, 35VDC
Endurance:	50,000 Cycles	50,000 Cycles
Operating Force:	1.2kgf (2.64lbf)	1.0kgf (2.2lbf)[S-206]

### Euramtec Corporation

29650 Grand River Ave.  
Farmington Hills, MI  
48336-5622 U.S.A.

WWW.EURAMTEC.COM



Tel: (248) 473-8660  
Fax: (248) 473-8662  
sales@euramtec.com

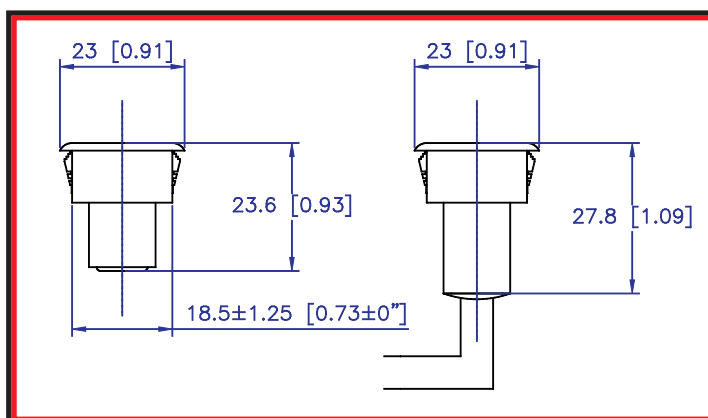
## Recessed Magnetic Switch

Euramtec Corporation is proud to introduce its newest innovation in switch technology: The Recessed Magnetic Switch.

Requiring only 1" (25.4mm) of installation depth, this magnetic switch will fit into most door frames and jambs, and leave a flush and nearly unnoticeable finish. Available in white or black color.

The Recessed Magnetic Switch comes in either a normally-open or normally-closed switch diagram to suit any application, and includes 18-inch wire leads. Can be installed in any material, from wood to steel.

The magnetic switches are "Reeds" type switches and have an actuation gap of approximately 1 inch.



### Specifications:

Installation Requirements:  
1" Depth, 1-1/2" Surface Width  
Voltage Max:  
100V (Normally Open); 30V (Normally Closed)  
Current Max:  
0.5A (NO); 0.25A (NC)  
Power Max:  
7.5W (NO); 3W (NC)

### Applications:

Proximity Sensor  
Door Alarm  
Position Sensor  
Dome/Interior Lights  
Tailgate  
Compartment Doors

**Euramtec Corporation**

29650 Grand River Ave.  
Farmington Hills, MI  
48336-5622 U.S.A.


WWW.EURAMTEC.COM



Tel: (248) 473-8660  
Fax: (248) 473-8662  
sales@euramtec.com

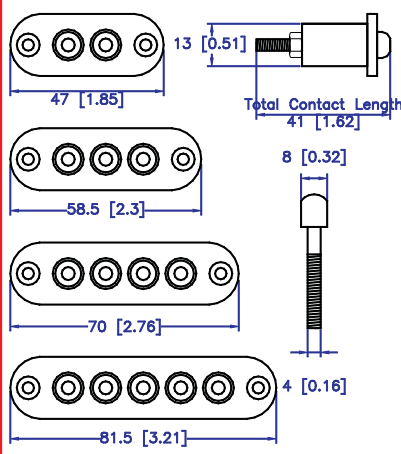
## Wireless Contacts

Euramtec Corporation's Wireless Contacts eliminate the need for any wiring between the door and the door jamb. These contacts can be used to operate any powered accessory on a hinged bulkhead.




360

The S-2415X Series brass wireless contacts are an ideal combination of versatility and durability. With contacts made from solid machined brass, the pieces are available with two to five contacts per piece. The contacts are spring loaded and adjustable from 1/4" to 11/16". They are supplied as a male/female mating pair, and include insulated barrel terminals for easy installation.



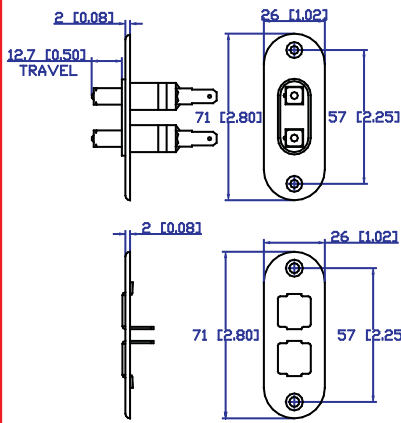
Technical drawings showing dimensions for S-2415X contacts:

- Top view: 47 [1.85] (width), 13 [0.51] (height)
- Bottom view: 58.5 [2.3] (width), 70 [2.76] (width), 81.5 [3.21] (width)
- Side view: 8 [0.32] (height), 41 [1.62] (Total Contact Length)
- Another side view: 4 [0.16] (height)



360

The S-30K contact kit is sold as a complete set, including both male and female pieces, weather boot gaskets, mounting screws, and a drilling template.



Technical drawings showing dimensions for S-30K contact kit:

- Top view: 26 [1.02] (width), 57 [2.25] (height)
- Bottom view: 26 [1.02] (width), 57 [2.25] (height)
- Side view: 2 [0.08] (width), 71 [2.80] (width), 12.7 [0.50] TRAVEL (height)

Specifications:	S-2414X	S-30K	Applications	No More Wires For:
Max Current:	60A Per Contact	30A Per Contact	Power Windows	Car & Truck Doors
Flammability			Power Locks	Trunks & Compartment
Standard:	FMVSS 302	FMVSS 302	Remote Entry Systems	Doors
Material:	Fire-Resistant ABS/ Machined Brass	Fire-Resistant ABS/ Stainless Steel	Alarm Systems	Tailgates
			Stereo Systems	Trailer Ramps
				Tilt Front Ends

**Euramtec Corporation**

29650 Grand River Ave.  
Farmington Hills, MI  
48336-5622 U.S.A.

[WWW.EURAMTEC.COM](http://WWW.EURAMTEC.COM)



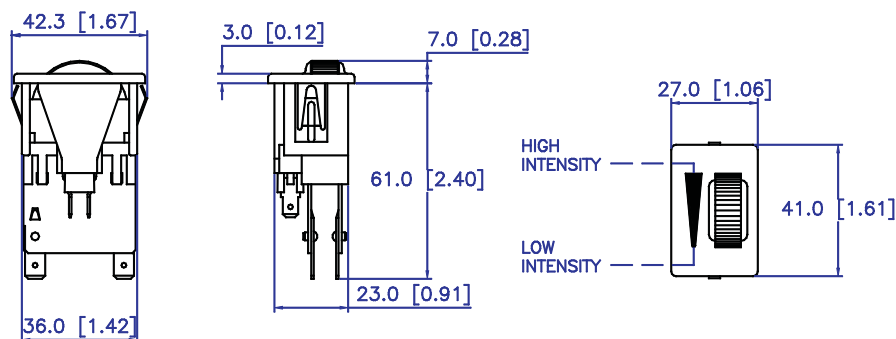
Tel: (248) 473-8660  
Fax: (248) 473-8662  
sales@euramtec.com

## S-4613 Rheostat



The 4613 Rheostat is used to control the brightness of instrument panel lighting. It comes standard with 12-volt green illumination, but can be custom ordered for 24-volt electrical systems.

The 4613 can be used as part of the NP Modular Switch System, but requires a bezel insert bracket. See Appendix A for more information.



### Specifications

Voltage: 12 or 24VDC

Rated Power: 14W

Total Resistance: 50 ohms

### **Euramtec Corporation**

29650 Grand River Ave.  
Farmington Hills, MI  
48336-5622 U.S.A.

[WWW.EURAMTEC.COM](http://WWW.EURAMTEC.COM)

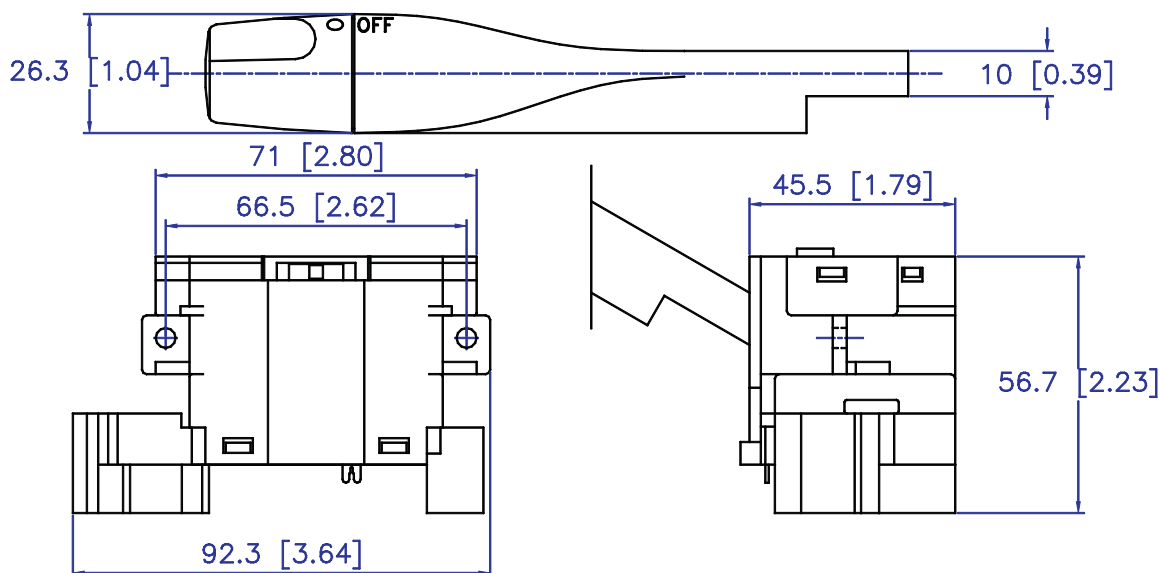


Tel: (248) 473-8660  
Fax: (248) 473-8662  
sales@euramtec.com

## Multi-Function Column Switch



The 99123 Multi-Function Column Switch is the perfect choice for your OEM application. Features driving lights and headlights selection, turn signal selector and windshield washer/wiper switch. Constructed from strong ABS, the Column Switch can be used in a 12-volt or 24-volt DC system.



### Euramtec Corporation

29650 Grand River Ave.  
Farmington Hills, MI  
48336-5622 U.S.A.

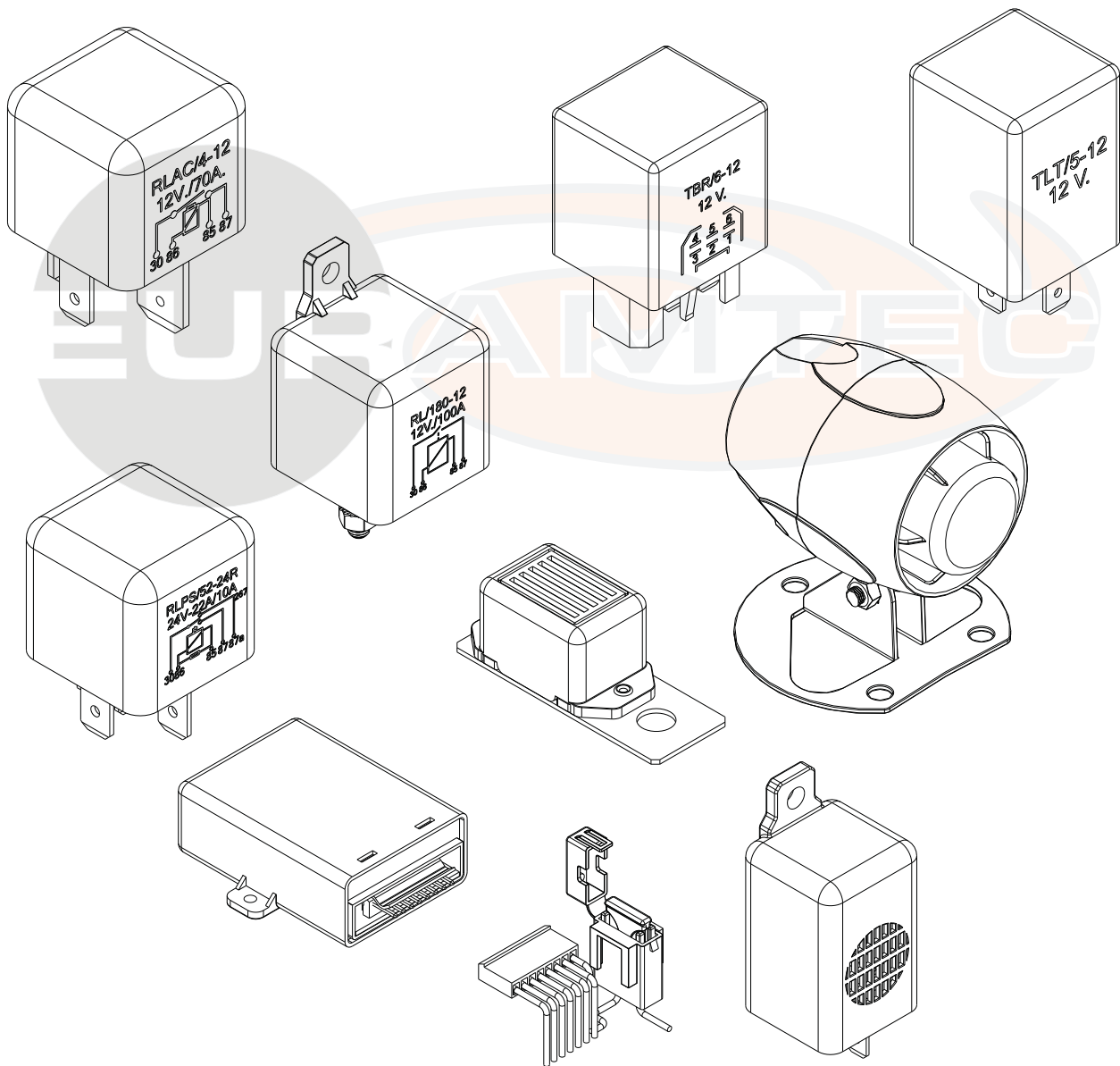
WWW.EURAMTEC.COM



Tel: (248) 473-8660  
Fax: (248) 473-8662  
sales@euramtec.com

## SECTION B: RELAYS AND ELECTRONICS

- S-2480 Door Lock Relay
- S-73922312-XX Defroster Timing Relay
- S-TLM/4-12 Dome Light Relay
- S-RL/180-XX Power Relay
- S-RLACS/4-24 Power Relay
- S-RLPS/52-XXR Change-Over Power Relay
- S-ITN/500-24 Flasher Relay
- S-53D Express Window Controller
- S-RZE/2-12 Acoustic Warning Device
- S-AVE/2-12 Buzzer Relay
- S-273 Alert Chime
- JX-216 Multi-Tone Alarm Siren



EURAMTEC CORP, 29650 GRAND RIVER AVE., FARMINGTON HILLS, MI 48336  
TEL: 248-473-8660 FAX: 248-473-8662 EMAIL: SALES@EURAMTEC.COM

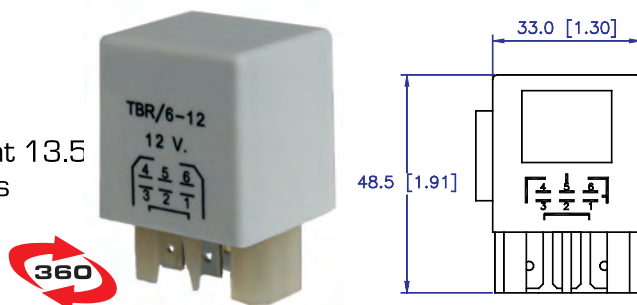
# Electronic Relays

Euramtec carries an assortment of electronic relays for many different functions including centralized door lock systems, timed defroster systems, dome light delays, and many more.

## S-2480 Door Lock Relay

Voltage: 9 to 16VDC  
 Rated Current Load: 15A  
 Resistance: 65 ohms  
 Timing: 3+/- 0.5sec at 13.5  
 Endurance: 30,000 Cycles  
 Operational Temperature Range: -30 C to 80 C

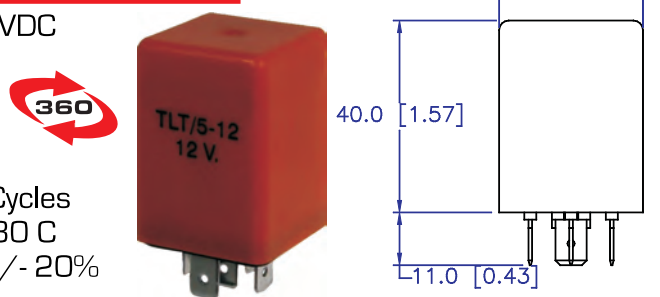
Up to seven actuators can be operated by this relay.  
 Uses W-ST6-438 Connector Plug



## S-73922312-XX Defroster Timing Relay

Voltage: 12 or 24VDC  
 P/N S-73922312-12 (12V) Orange  
 P/N S-73922312-24 (24V) Black  
 Rated Current Load: 10A  
 Resistance: 65 ohms  
 Endurance: 30,000 Cycles  
 Operational Temperature Range: -30 C to 80 C  
 Time Delay: 12 Min +/- 20%

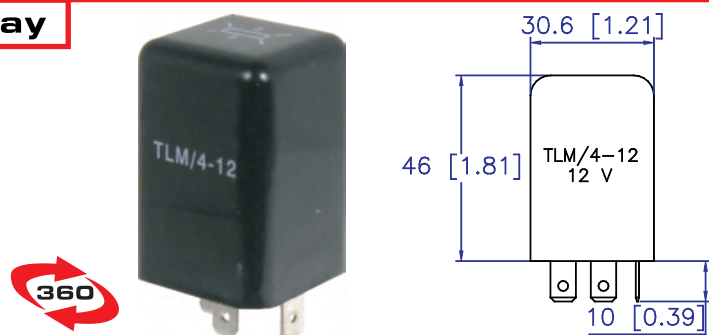
Uses W-SQ9-635-02 Connector Plug



## S-TLM/4-12 Dome Light Relay

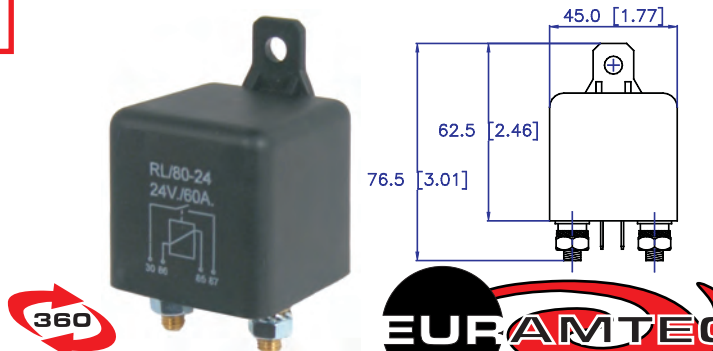
Voltage: 10 to 16VDC  
 Power: 84W  
 Duration: 10 Sec.

Uses W-SQ9-635-02 Connector Plug



## S-RL/180-XX Power Relay

P/N: S-RL/180-12 P/N: S-RL/80-24  
 Voltage: 12VDC Voltage: 24VDC  
 Amps: 100A Amps: 60A  
 Normally Open Normally Open



**Euramtec Corporation**

29650 Grand River Ave.  
 Farmington Hills, MI  
 48336-5622 U.S.A.

WWW.EURAMTEC.COM



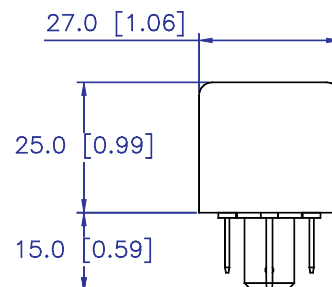
Tel: (248) 473-8660  
 Fax: (248) 473-8662  
 sales@euramtec.com

## Electronic Relays (Cont.)

### S-RLAC/4-XX Power Relay

P/N S-RLAC/4-12	P/N: S-RLAC/4-24
Voltage: 12VDC	Voltage: 24VDC
Amps: 70A	Amps: 40A
Normally Open	Normally Open

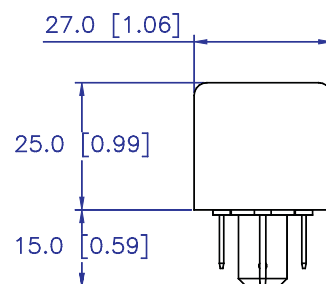
\* Available with or without mounting bracket.  
 \* Available with resistor protection [-R]  
 Uses W-SQ9-635-01 Connector Plug



### S-RLPS/52-XXR Change-Over Power Relay

P/N: S-RLPS/52-12R	P/N: S-RLPS/52-24R
Voltage: 12VDC	Voltage: 24VDC
Amps: 40/15A	Amps: 22/10A
Change Over	Change Over

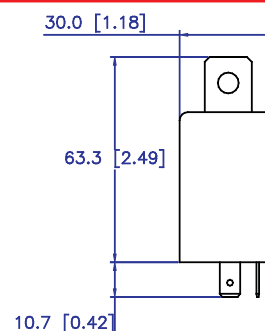
Uses W-SQ9-635-02 Connector Plug



### S-ITN/500-24 Flasher Relay

Voltage: 24VDC  
 Wattage: 500W

Uses W-SQ9-635-02 Connector Plug



### W-SQ9-635-01 Connector



Material: PA6.6  
 Sockets: 4 x 2.8mm  
 3 x 6.3mm  
 2 x 9.5mm



### W-SQ9-635-02 Connector



Material: PA6.6  
 Sockets: 4 x 2.8mm  
 5 x 6.3mm



**Euramtec Corporation**

29650 Grand River Ave.  
 Farmington Hills, MI  
 48336-5622 U.S.A.

WWW.EURAMTEC.COM



Tel: (248) 473-8660  
 Fax: (248) 473-8662  
 sales@euramtec.com

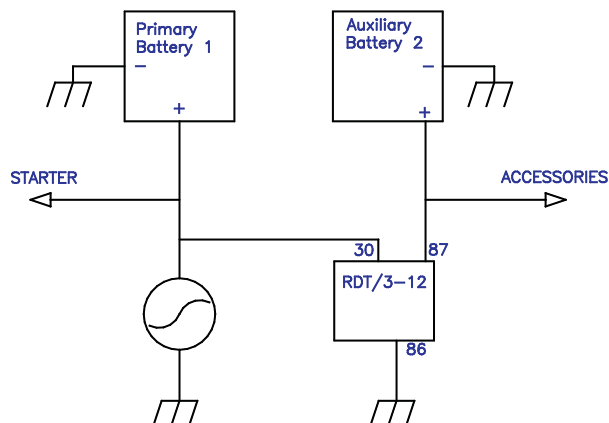
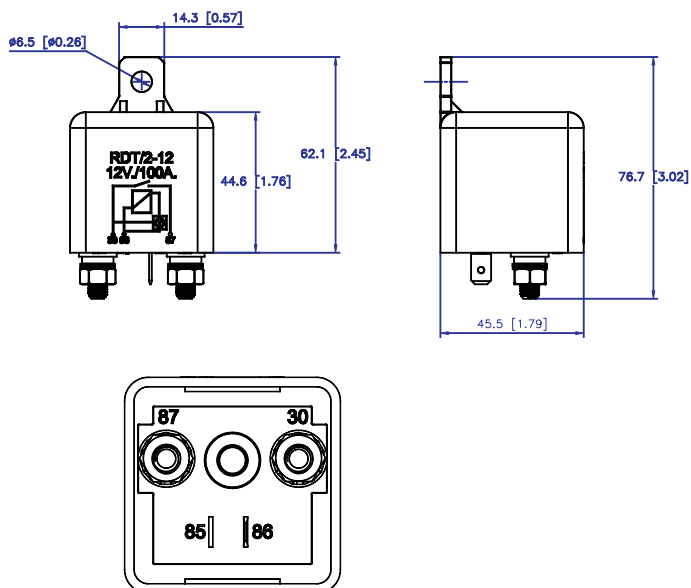
# Battery Discharge Protection Relay

## S-RDT/3-XX



Euramtec's RDT Battery Discharge Protection Relay is ideal for vehicles with a dual battery system to prevent damage to the batteries in case of an over-voltage condition. Should the voltage between the main battery and auxiliary battery exceed 13.4VDC, the relay opens and interrupts the circuit until the voltage drops back to 12.7VDC.

Available in 12V/100A or 24V/60A models, the RDT Relay is ideal for emergency vehicles, work trucks, motor homes, or any other vehicle with a dual-battery system.



**Euramtec Corporation**

29650 Grand River Ave.  
Farmington Hills, MI  
48336-5622 U.S.A.

[WWW.EURAMTEC.COM](http://WWW.EURAMTEC.COM)



Tel: (248) 473-8660  
Fax: (248) 473-8662  
sales@euramtec.com

## Express Window Controller

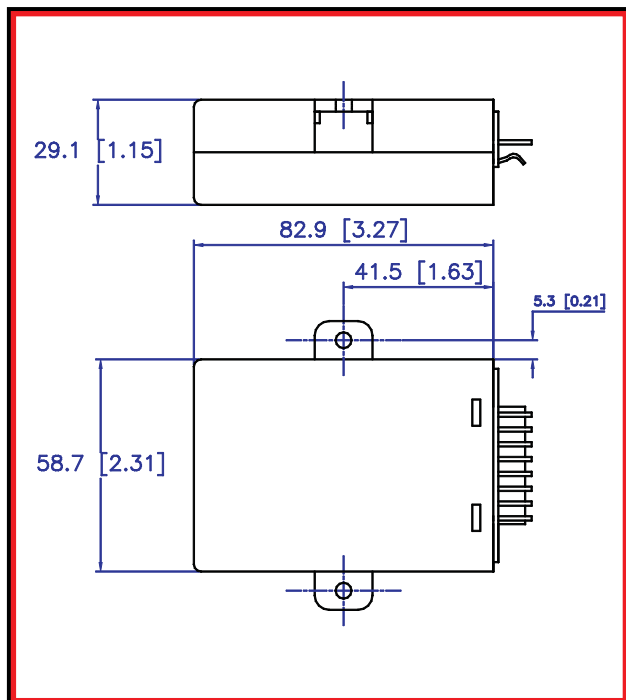
### S-53D



Euramtec's S-53D Window Module allows you to open a window or sunroof with just one push of a button. With a second tap, the window can be stopped mid-travel.

The 53D is easy to install and will adapt to most centralized systems, including remote interface.

Includes all necessary wiring. Add Euramtec's 1737 Reversing Switch for a complete window system.



### Features

- Auto Open ONLY: Automatically opens with one tap of switch. Window Close is traditional switch depression style.
- Mode Stop/Override: Immediately stops operation with second tap of switch.
- Interface Remote Operation: Will adapt to use with remote kit for opening and closing.
- Safety Auto Stop: Will automatically stop if window encounters an obstruction.
- Remote Stop: May be remotely controlled to stop.
- Added Features: Contains both positive and negative open and close inputs for adding additional features.

### Euramtec Corporation

29650 Grand River Ave.  
Farmington Hills, MI  
48336-5622 U.S.A.

WWW.EURAMTEC.COM



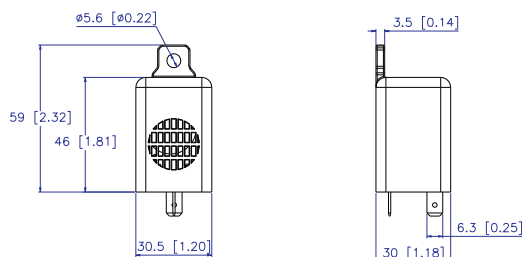
Tel: (248) 473-8660  
Fax: (248) 473-8662  
sales@euramtec.com

## Audible Devices

### S-RZE/2-12 Acoustic Device



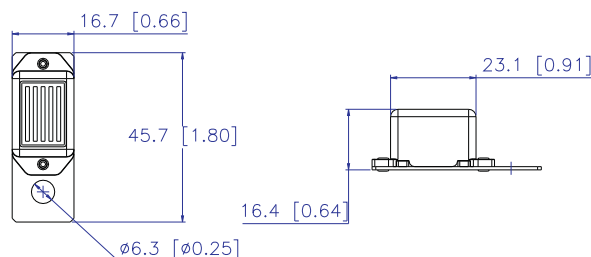
Ideal for any audible alert system, Euramtec's RZE Acoustic Warning Device is available for 12 or 24V interior applications. Includes molded mounting bracket for easy installation. Mating connectors and terminals are also available.



### S-AVE 2/12 Buzzer



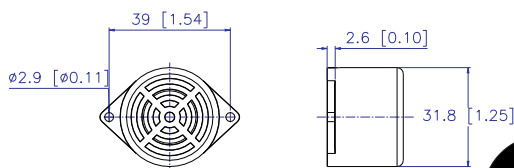
The AVE Buzzer Relay produces a sustained buzzing tone that can be used for interior audible alert systems. Available in 12 or 24VDC, the AVE Buzzer comes complete with a 5.5-inch pigtail and connector with 1/4-inch male terminals.



### S-273 Alert Chime



Euramtec's S-273 Alert Chime features a "double door bell" tone, and is ideal for stop request and warning chimes. At 80 decibels, the 273 Chime is the loudest available audible warning device Euramtec offers. The 273 Chime is available in 12VDC operation only, and has 140mm (5.5") wire leads for easy installation.



**Euramtec Corporation**

29650 Grand River Ave.  
Farmington Hills, MI  
48336-5622 U.S.A.

WWW.EURAMTEC.COM



Tel: (248) 473-8660  
Fax: (248) 473-8662  
sales@euramtec.com

## Multi-Tone Alarm Siren

Euramtec's JX-216 Siren is the perfect accessory for any alarm system. Using only 20 Watts of power, this 6-tone siren produces over 100 decibels of sound. Includes mounting bracket and 6-inch wire leads with male and female 1/4-inch quick-connect terminals.

### Specifications:

Input Voltage: 12VDC

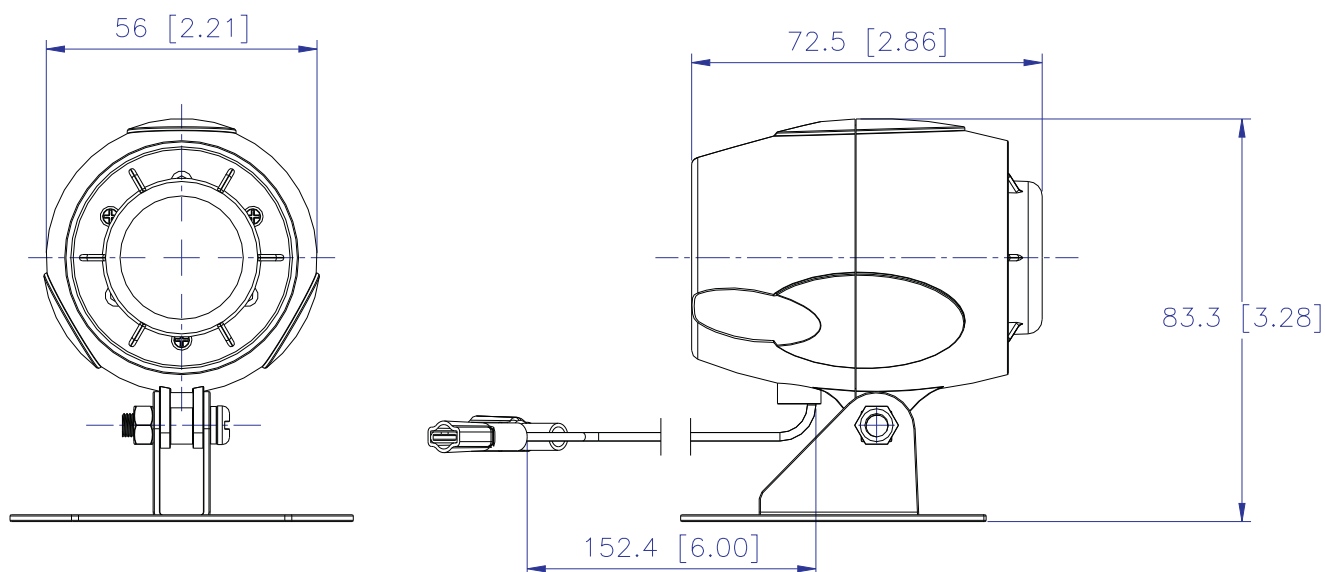
Current

Draw: 1.7A

Power: 20W

Volume: 115dB +/- 3dB

Tone Style: 6-Tone



### Euramtec Corporation

29650 Grand River Ave.  
Farmington Hills, MI  
48336-5622 U.S.A.

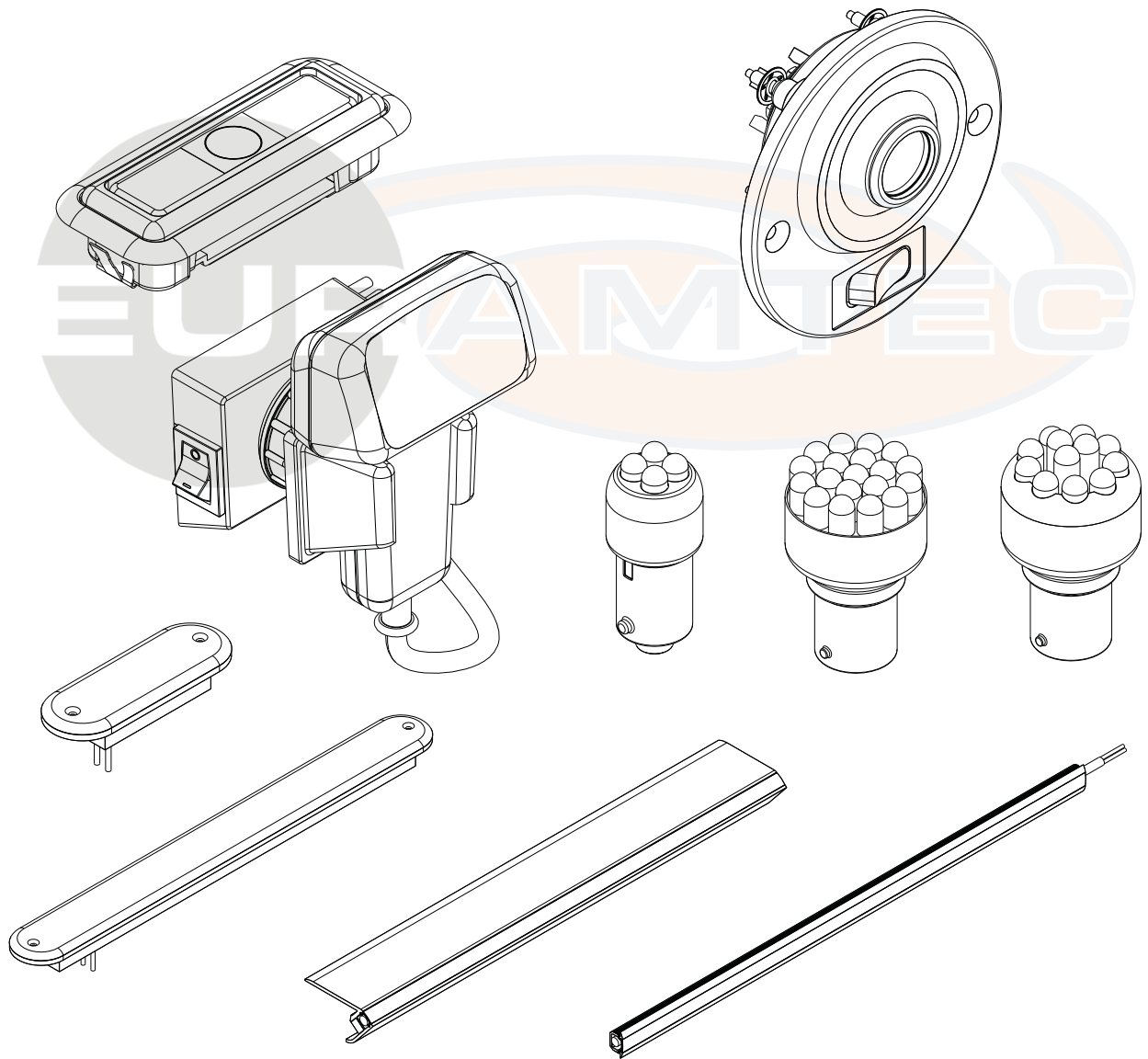
[WWW.EURAMTEC.COM](http://WWW.EURAMTEC.COM)



Tel: (248) 473-8660  
Fax: (248) 473-8662  
[sales@euramtec.com](mailto:sales@euramtec.com)

## SECTION C: INTERIOR LIGHTING

- A-7180 Flip Light
- A-51860 Reading Light
- W-1288 Mini Spot Light
- S-5419900 Utility Light
- W-BA9S-W4 LED Lamp
- W-1156-W12-12V LED Lamp
- W-1156-W19-12V LED Lamp
- S-BAL101 LED Aisle Light
- S-BSL101 LED Step Light
- S-ALU101 Fiber Optic Aisle Light
- S-SLU101 Fiber Optic Step Light



EURAMTEC CORP, 29650 GRAND RIVER AVE., FARMINGTON HILLS, MI 48336  
TEL: 248-473-8660 FAX: 248-473-8662 EMAIL: SALES@EURAMTEC.COM

# Interior Lights



The versatile 7180 Flip Light is the perfect choice for many map, reading, and courtesy light applications. The unique switched lens concept allows the light to be directed and controlled by the lens. The 7180 can be mounted directly or with the optional clip in bezel (shown here with bezel).



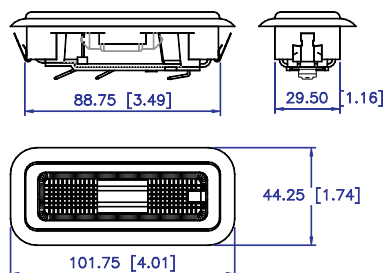
With its built-in switch, adjustable lens, and sleek attractive design, the 51860 light will complement any interior. The low profile housing does not protrude into the passenger compartment and requires only a small amount of space behind the panel where it is mounted.



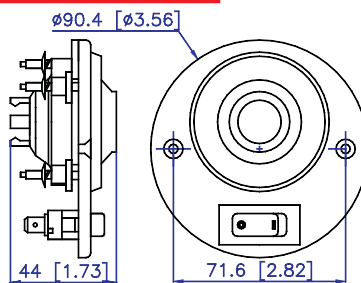
Extremely compact and functionally styled, the 1288 Spot Light is ideal for applications where an adjustable light is needed and space is at a premium. The 1288 can come with or without an optional mounting bezel (shown here without bezel).



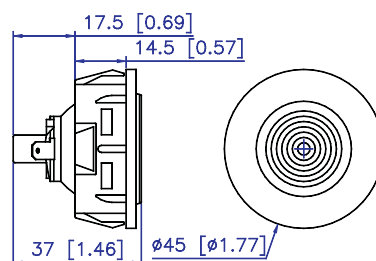
## A-7180



## A-51860



## W-1288



## Euramtec Corporation

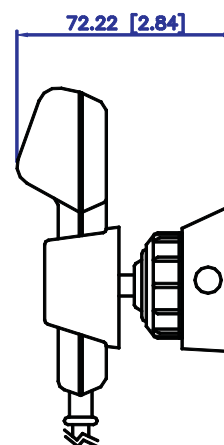
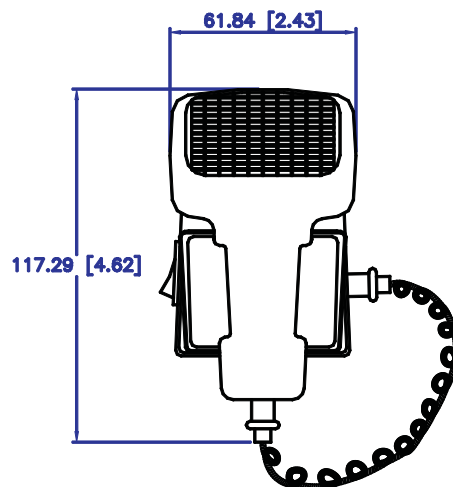
29650 Grand River Ave.  
Farmington Hills, MI  
48336-5622 U.S.A.

WWW.EURAMTEC.COM



Tel: (248) 473-8660  
Fax: (248) 473-8662  
sales@euramtec.com

## S-5419900 Utility Light



The S-5419900 Utility Light is ideal for RV and coach storage compartments. This handy 12V light features a 1m (3.25ft.) coiled cord, offering nearly limitless mobility and usefulness. When not in use, the hand-held lamp fits securely in its base. The 5419900 Utility Light comes standard with a 5W incandescent lamp, but is also available with LED.

### Euramtec Corporation

29650 Grand River Ave.  
Farmington Hills, MI  
48336-5622 U.S.A.

[WWW.EURAMTEC.COM](http://WWW.EURAMTEC.COM)



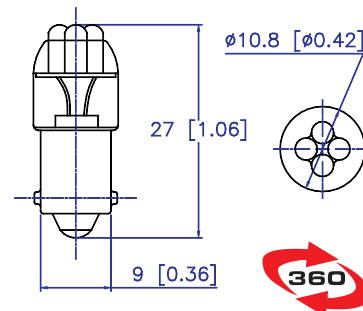
Tel: (248) 473-8660  
Fax: (248) 473-8662  
[sales@euramtec.com](mailto:sales@euramtec.com)

## LED Lamps

As an alternative to typical incandescent lighting, Euramtec carries a series of bayonet-style 12-volt LED replacement lamps. The benefits of LED over incandescent include longer service life, lower power consumption, and a brighter, more focused light pattern. Contact a Euramtec sales representative for more information about using LED lamps in your light application.

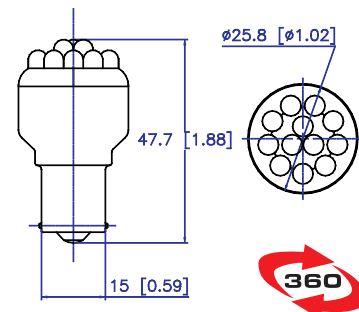
### W-BA9S-W4

Voltage: 12V AC/DC  
 Number of LEDs: 4  
 Color: White  
 Pattern: Narrow  
 Base: 9mm Bayonet



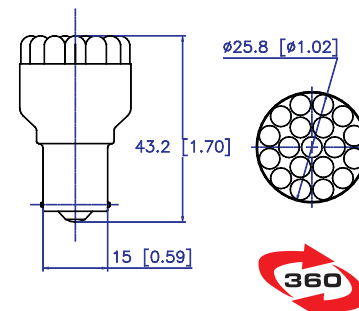
### W-1156-W12-12V

Voltage: 12V DC  
 Number of LEDs: 12  
 Color: White  
 Pattern: Narrow  
 Base: 1156 Bayonet



### W-1156-W19-12V

Voltage: 12V DC  
 Number of LEDs: 19  
 Color: White  
 Pattern: Narrow  
 Base: 1156 Bayonet



**Euramtec Corporation**

29650 Grand River Ave.  
 Farmington Hills, MI  
 48336-5622 U.S.A.

WWW.EURAMTEC.COM



Tel: (248) 473-8660  
 Fax: (248) 473-8662  
 sales@euramtec.com

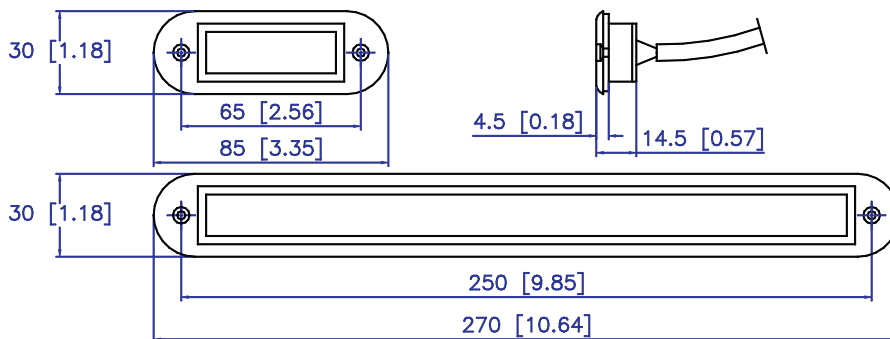
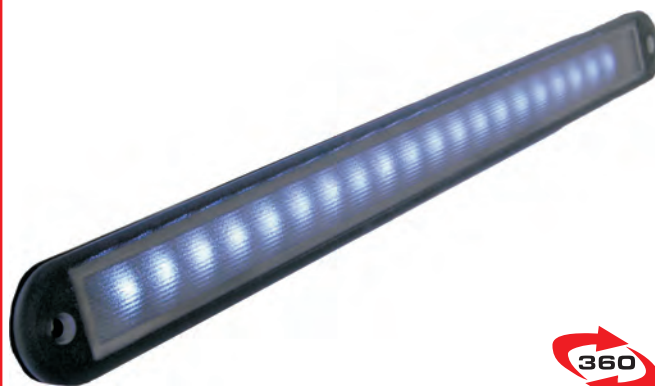
## Interior LED Lights



The BAL-Series Aisle Lights feature high-efficiency, super-bright SMD LEDs. The durable polycarbonate transparent case is water resistant, dust proof, and vibration resistant, ensuring a long life of the light.

The BAL aisle light can now be supplied in either 12 or 24VDC and is available with Blue, Green, Yellow, Red or White LEDs.

The BSL-series Step Light contains all of the features of the BAL Aisle Light, but in a larger size. The BSL contains 20 super-bright SMD LEDs that can be ordered in Blue, Green, Yellow, Red, or White color, or a combination of alternating colors. The BSL Step Light also contains a current limiter for constant light level, and is available in 12 or 24VDC.



	BAL (24V)	BAL (12V)	BSL (24V)	BSL (12V)
Operating Voltage:	18-38VDC	9-16VDC	18-38VDC	9-16VDC
Operating Current:	30mA (B,Y,T,W) 20mA (Green)	90mA (B,Y,T,W) 60mA (Green)	75-135mA (Varies)	240-350mA (Varies)
Number of LEDs:	3	3	20	20
Lifetime:	50,000 Hours	50,000 Hours	50,000 Hours	50,000 Hours
Protection Degree:	IP67	IP67	IP67	IP67
Weight:	31g	31g	70g	70g

### Euramtec Corporation

29650 Grand River Ave.  
Farmington Hills, MI  
48336-5622 U.S.A.

[WWW.EURAMTEC.COM](http://WWW.EURAMTEC.COM)



Tel: (248) 473-8660  
Fax: (248) 473-8662  
sales@euramtec.com

## Fiber Optic Lighting

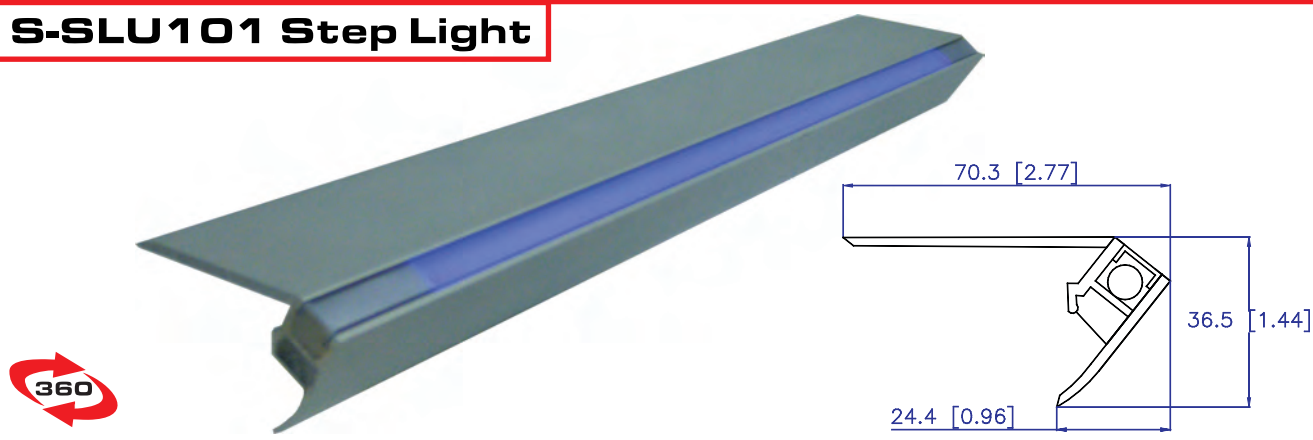
### S-ALU101 Aisle Light



Euramtec's highly reliable, vibration-resistant fiber optic lighting is the perfect choice for illuminating aisle ways and entry steps in your bus, coach, airplane, or any other mass transit vehicle. Their durable aluminum profile ensures years of reliable operation, while their special side-glow fiber optic rod provides a soft elegant blue glow.

The fiber optic rod is illuminated by LEDs in 12 or 24VDC  
Length is custom-ordered, up to 3-meter sections.

### S-SLU101 Step Light



#### Specifications:

Operating Voltage: 12 or 24VDC (Specify when ordering)

Operating Current: 20mA for every 150cm

Operating Temp.: -30 to 70° C

### Euramtec Corporation

29650 Grand River Ave.  
Farmington Hills, MI  
48336-5622 U.S.A.

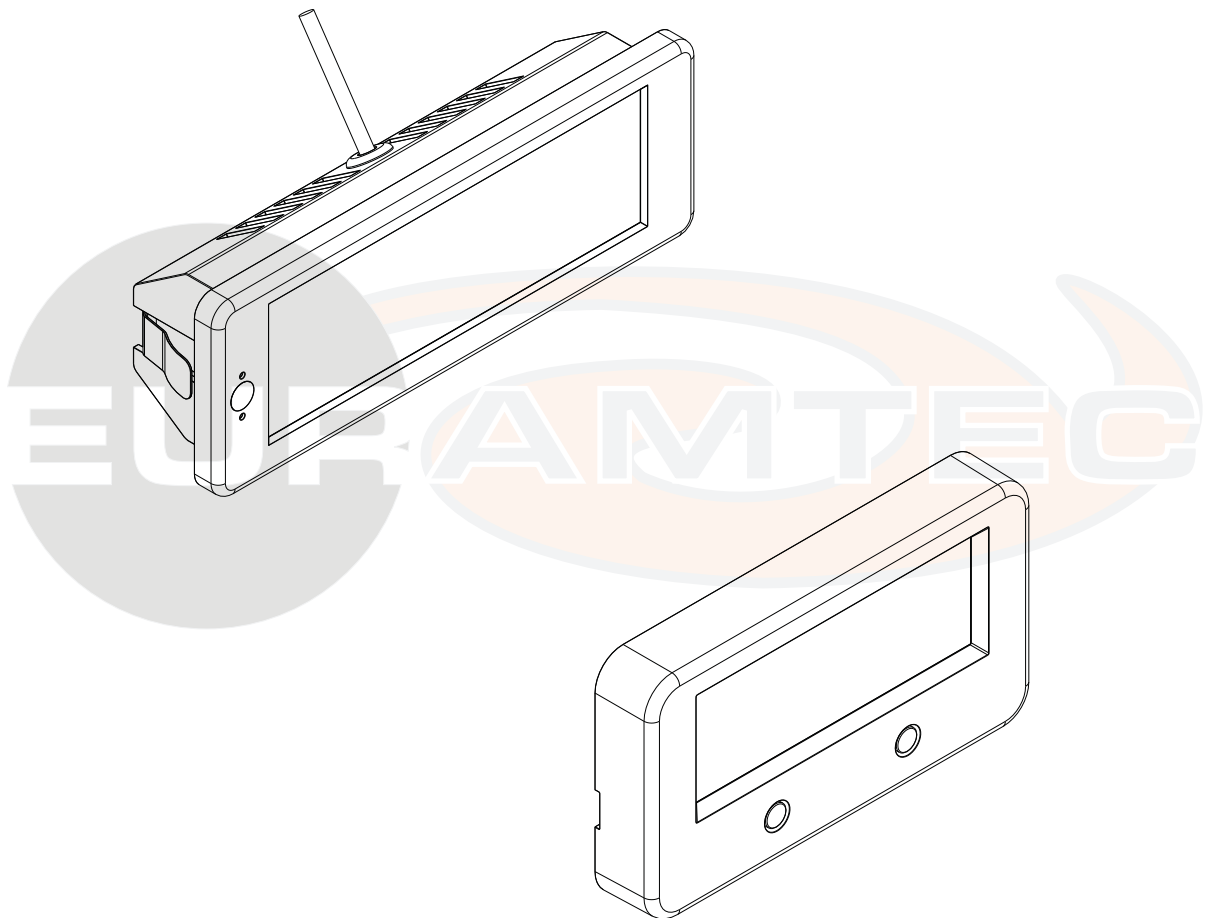
[WWW.EURAMTEC.COM](http://WWW.EURAMTEC.COM)



Tel: (248) 473-8660  
Fax: (248) 473-8662  
[sales@euramtec.com](mailto:sales@euramtec.com)

## SECTION D: CLOCKS & SIGNS

- S-DBC-201 Digital Bus Clock
- S-DBC-401/S-BTC-101 Digital Clock/Thermometer
- S-BSU-111 LED Bus Sign
- S-BSU-211 Large LED Bus Sign

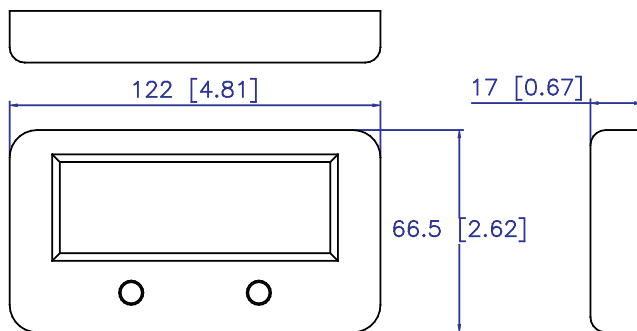


## Digital Bus Clocks

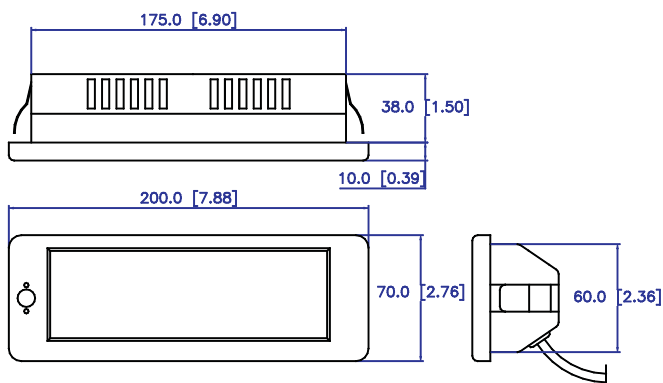
### S-DBC-201



The DBC-201 Digital Clock features a 28mm LCD display, available in 12 or 24-hour configurations. Backlit with green or red LED in 12 or 24VDC.



The DBC-401 Digital Clock features a 38mm display area with red LED lighting in 24VDC. Also available in BTC-101 Digital Clock/Thermometer. The same dimensions as DBC-401, the BTC-101 includes a temperature probe and an outside air temperature display feature. The BTC-101 is only available in 24VDC at this time, and displays 24-hour time and Centigrade temperature in red LED.



### S-DBC-401/S-BTC-101



## Euramtec Corporation

29650 Grand River Ave.  
Farmington Hills, MI  
48336-5622 U.S.A.

WWW.EURAMTEC.COM



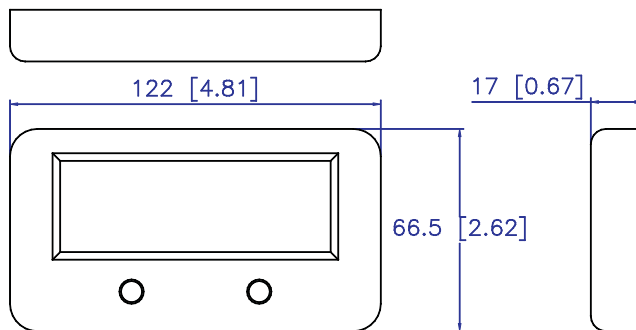
Tel: (248) 473-8660  
Fax: (248) 473-8662  
sales@euramtec.com

## Bus Signs

### S-BSU-111

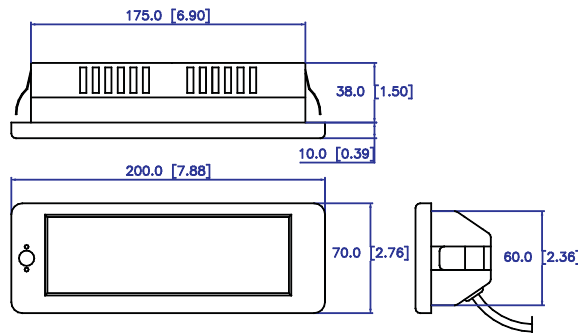


The BSU-111 Bus Sign features an 88mm x 31mm (3.5" x 1.25") display area with red LED illumination. A selection of standard and custom display graphics are available. Supplied in 12 or 24VDC.



### S-BSU-211L

The BSU-211L Bus Sign features a large 155-mm x 48mm (6" x 2") display area with red LED illumination in 12 or 24VDC. A selection of standard and custom display graphics are available.



## Euramtec Corporation

29650 Grand River Ave.  
Farmington Hills, MI  
48336-5622 U.S.A.

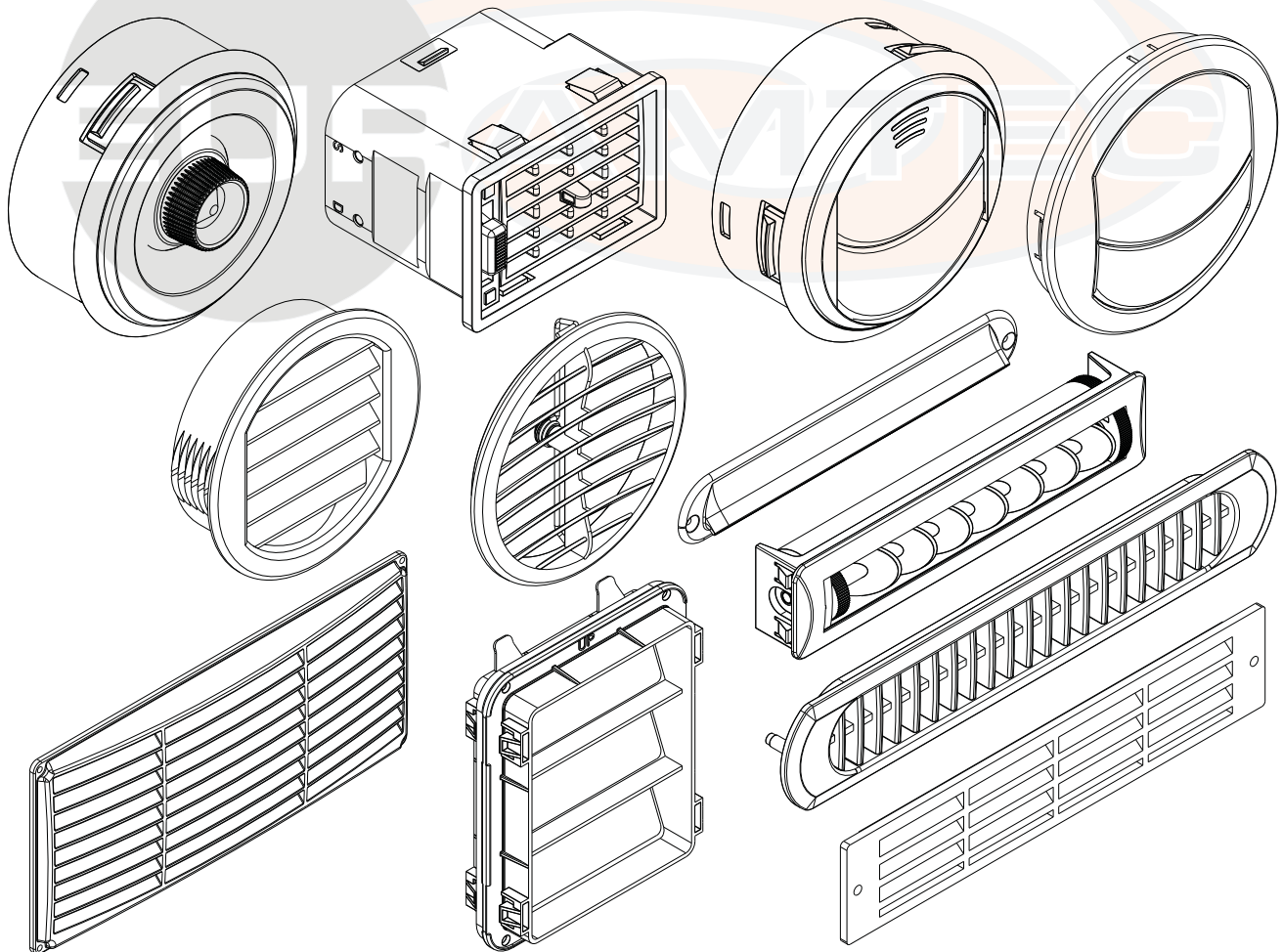
WWW.EURAMTEC.COM



Tel: (248) 473-8660  
Fax: (248) 473-8662  
sales@euramtec.com

## SECTION E: VENTILATION COMPONENTS

- P.236 Rotating Air Diffuser
- S-34008200 Air Diffuser
- S-34003410 Double Louver Panel
- P.184 Adjustable Air Nozzle
- P.233 Adjustable Air Diffuser
- P.391 Adjustable Air Diffuser
- P.252 Rotating Air Diffuser
- S-63987-M Vent
- S-34022006 Vent
- P.194 Ventilation Grille
- P.123 Ventilation Grille
- S-34022040 Small Grille
- S-34022038 Large Grille
- S-34033012 Round Grille
- P.225 Defroster Vents
- S-34022035 Round Grille
- P.129 Vent Reduction
- P.330 Diffuser Connector
- S-34008058 Air Extractor

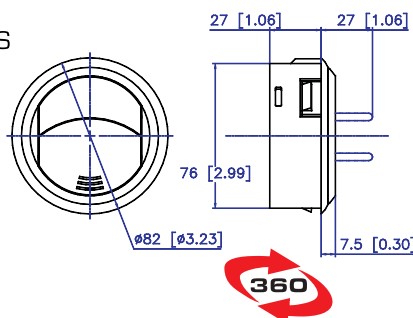


EURAMTEC CORP, 29650 GRAND RIVER AVE., FARMINGTON HILLS, MI 48336  
TEL: 248-473-8660 FAX: 248-473-8662 EMAIL: SALES@EURAMTEC.COM

## Air Diffusers

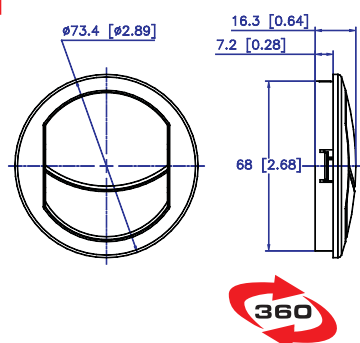
### P.236 Rotating Air Diffuser

Material: PA + Fiberglass or Recycles ABS  
(Eco-Line)  
Colors: Black or Grey  
Panel Thickness: 1.5mm\*, 3mm, or 5mm  
(Please specify when ordering)  
[\*1.5mm only available in Black]  
Air Flow: 2,280mm<sup>2</sup>  
Certifications: 95/28/EC for Flammability



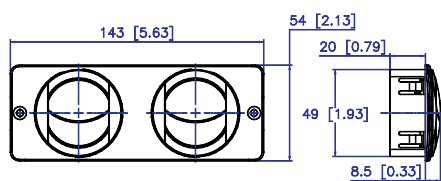
### S-34008200 Air Diffuser

Material: PA66+GB30  
Color: Black  
Panel Thickness: 2.5mm  
Air Flow: 1,958mm<sup>2</sup>  
Certifications: 95/28/EC for Flammability



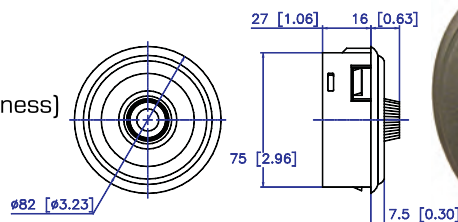
### S-34003410 Double Louver Panel

Material: ABS Plastic  
Color: Black  
Panel Thickness: 2.5mm  
Air Flow: 596mm<sup>2</sup> (x2)  
Certifications: 95/28/EC for Flammability



### P.184 Adjustable Air Nozzle

Material: Polyamide Fiberglass  
Colors: Black or Grey\*  
[\*Grey only available in 3mm thickness]  
Panel Thickness: 1.5mm, 3mm, 5mm  
(Please specify when ordering)  
Air Flow: 80mm<sup>2</sup>  
Certifications: 95/28/EC for Flammability



## Euramtec Corporation

29650 Grand River Ave.  
Farmington Hills, MI  
48336-5622 U.S.A.

WWW.EURAMTEC.COM



Tel: (248) 473-8660  
Fax: (248) 473-8662  
sales@euramtec.com

## Air Diffusers (Cont.)

### P.233 Adjustable Air Diffuser

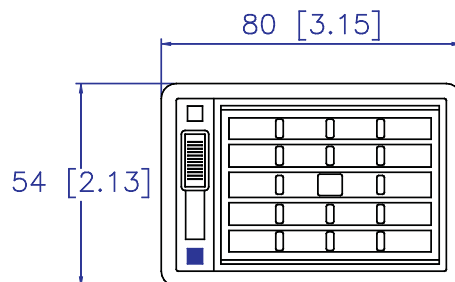
Material: ABS Plastic

Colors: Black

Panel Thickness: 3mm

Air Flow: 1,140mm<sup>2</sup>

Certifications: 95/28/EC for Flammability



### P.391 Adjustable Air Diffuser

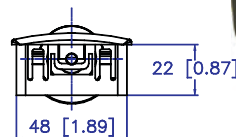
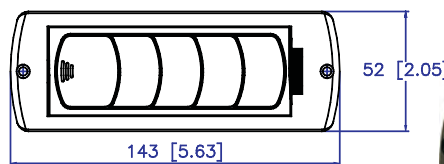
Material: Polyamide Fiberglass

Colors: Black or Grey  
[\* min. 500pcs for Grey]

Panel Thickness: 3mm  
(Also available without  
mounting screw holes)

Air Flow: 3,200mm<sup>2</sup>

Certifications: 95/28/EC Flammability



### P.252 Rotating Air Diffuser

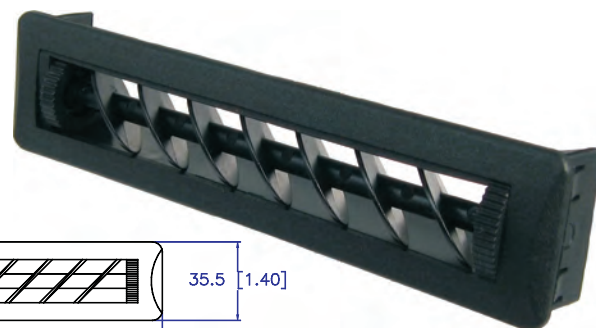
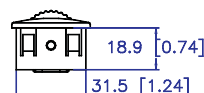
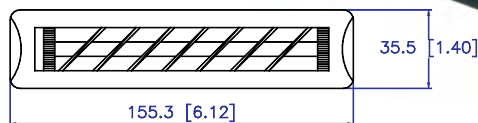
Material: Polyamide Fiberglass

Color: Black

Panel Thickness: 1.5mm, 3mm  
(Also available with screw  
holes)

Air Flow: 1,450mm<sup>2</sup>

Certifications: 95/28/EC Flammability



**Euramtec Corporation**

29650 Grand River Ave.  
Farmington Hills, MI  
48336-5622 U.S.A.

WWW.EURAMTEC.COM



Tel: (248) 473-8660  
Fax: (248) 473-8662  
sales@euramtec.com

# Diffuser Grilles

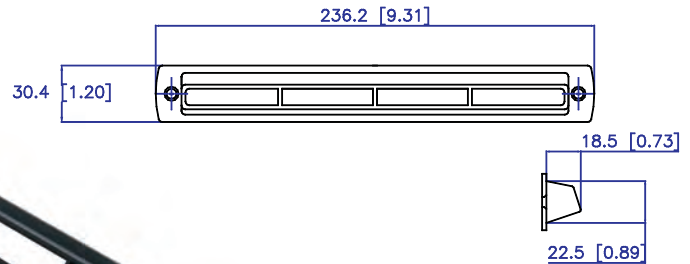
## S-63987-M Vent

Material: ABS Plastic

Color: Black

Air Flow: 1,980mm<sup>2</sup>

Certifications: 95/28/EC for Flammability



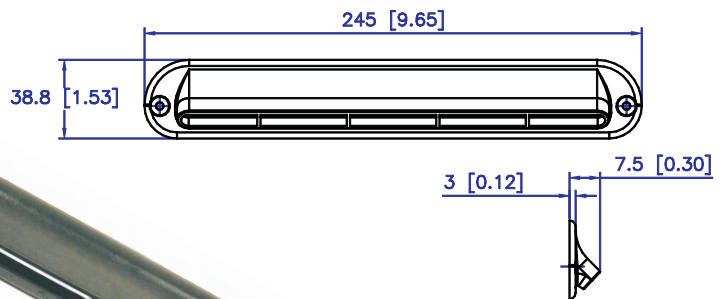
## S-34022006 Vent

Material: ABS Plastic

Color: Black

Air Flow: 1,470mm<sup>2</sup>

Certifications: 95/28/EC for Flammability



## P.194 Ventilation Grille

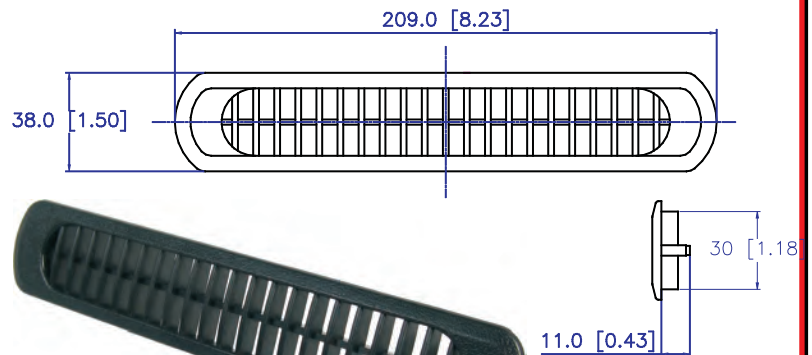
Material: ABS Plastic

Colors: Black, Grey and White  
[\*min. 1,000pcs for White]

Panel Thickness: 10mm Max

Air Flow: 2,700mm<sup>2</sup>

Certifications: 95/28/EC for Flammability



**Euramtec Corporation**

29650 Grand River Ave.  
Farmington Hills, MI  
48336-5622 U.S.A.

WWW.EURAMTEC.COM



Tel: (248) 473-8660  
Fax: (248) 473-8662  
sales@euramtec.com

# Defroster Grilles

## P.123 Ventilation Grille

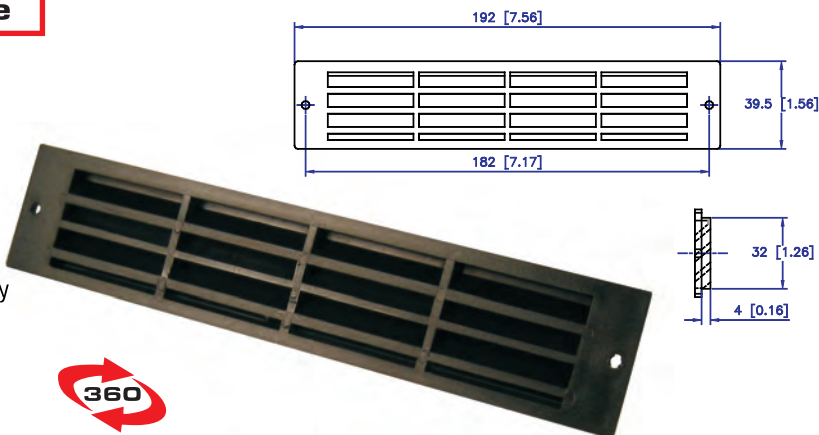
Material: ABS Plastic

Colors: Black or Grey

Air Flow: 1,400mm<sup>2</sup>

Certifications: 95/28/EC for Flammability

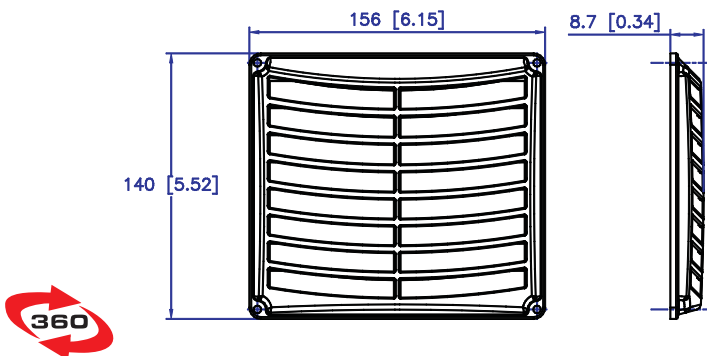
Screw-Mount Only



## S-34022040 Small Grille

Material: ASA Plastic

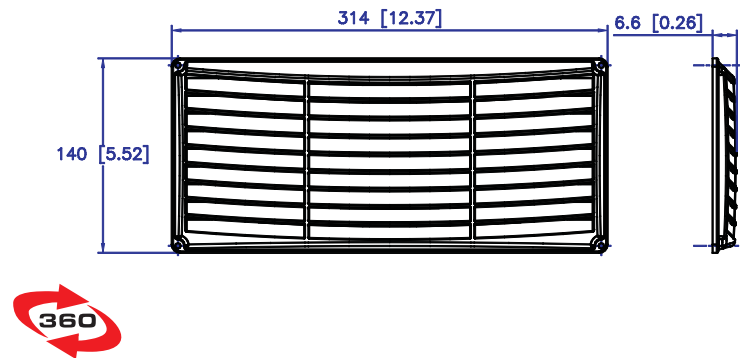
Color: Black



## S-34022038 Large Grille

Material: ASA Plastic

Colors: Black



**Euramtec Corporation**

29650 Grand River Ave.  
Farmington Hills, MI  
48336-5622 U.S.A.

WWW.EURAMTEC.COM



Tel: (248) 473-8660  
Fax: (248) 473-8662  
sales@euramtec.com

## Defroster Grilles (Cont.)

### S-34022012 Round Grille

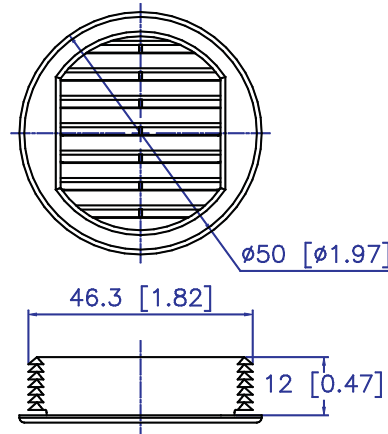
Material: ABS Plastic

Color: Black

Panel Thickness: 12mm Max

Air Flow: 566mm<sup>2</sup>

Certifications: 95/28/EC for Flammability



### P.225 Defroster Vent

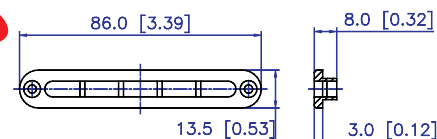
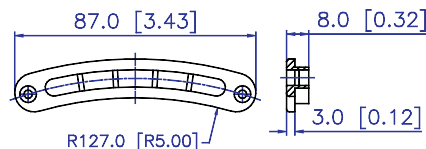
Material: Polyamide

Color: Black, Grey and White\*  
[\* min 5,000pcs for White]

Air Flow: 350mm<sup>2</sup>

Certifications: 95/28/EC for Flammability

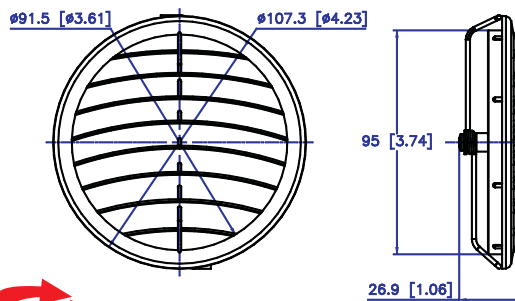
Available in straight or curved models.



### S-34022035 Round Grille

Material: PA 6.6 + GB30

Color: Black, Grey and White



**Euramtec Corporation**

29650 Grand River Ave.  
Farmington Hills, MI  
48336-5622 U.S.A.

WWW.EURAMTEC.COM



Tel: (248) 473-8660  
Fax: (248) 473-8662  
sales@euramtec.com

## Vent Connectors

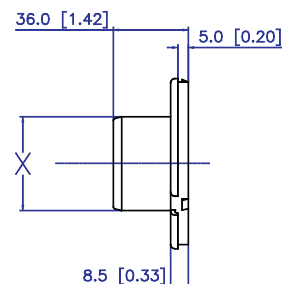
### P.129 Vent Reduction

Material: ABS Plastic

Color: Black

Tube Diameters: 45mm (1.77") to 73.5mm (2.89")

Certifications: 95/28/EC for Flammability



For P.236 and P.184 Air Diffusers

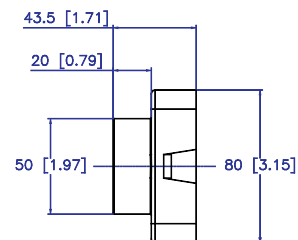
### P.330 Connector

Material: ABS Plastic

Color: Black

Tube Diameter: 49.5mm (1.95")

Certifications: 95/28/EC for Flammability



For P.233 Air Diffusers

**Euramtec Corporation**

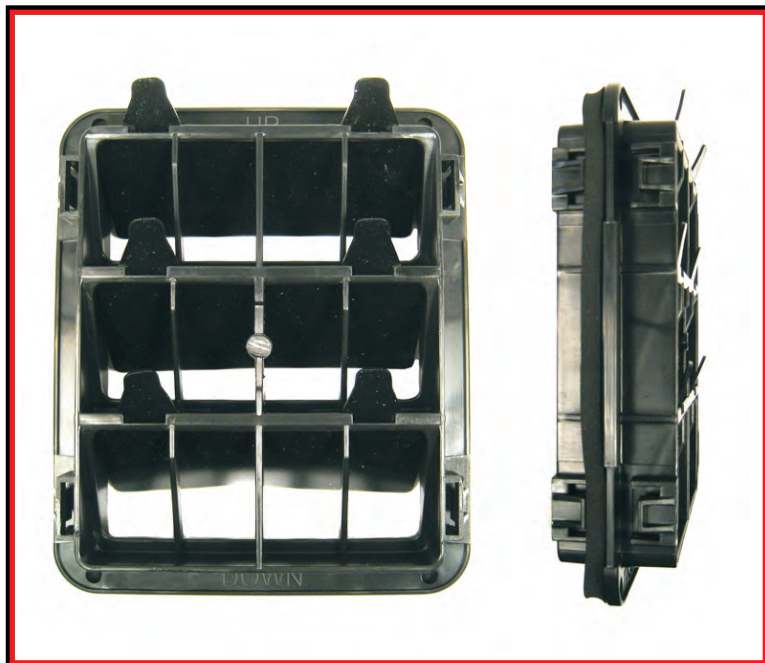
29650 Grand River Ave.  
Farmington Hills, MI  
48336-5622 U.S.A.

[WWW.EURAMTEC.COM](http://WWW.EURAMTEC.COM)



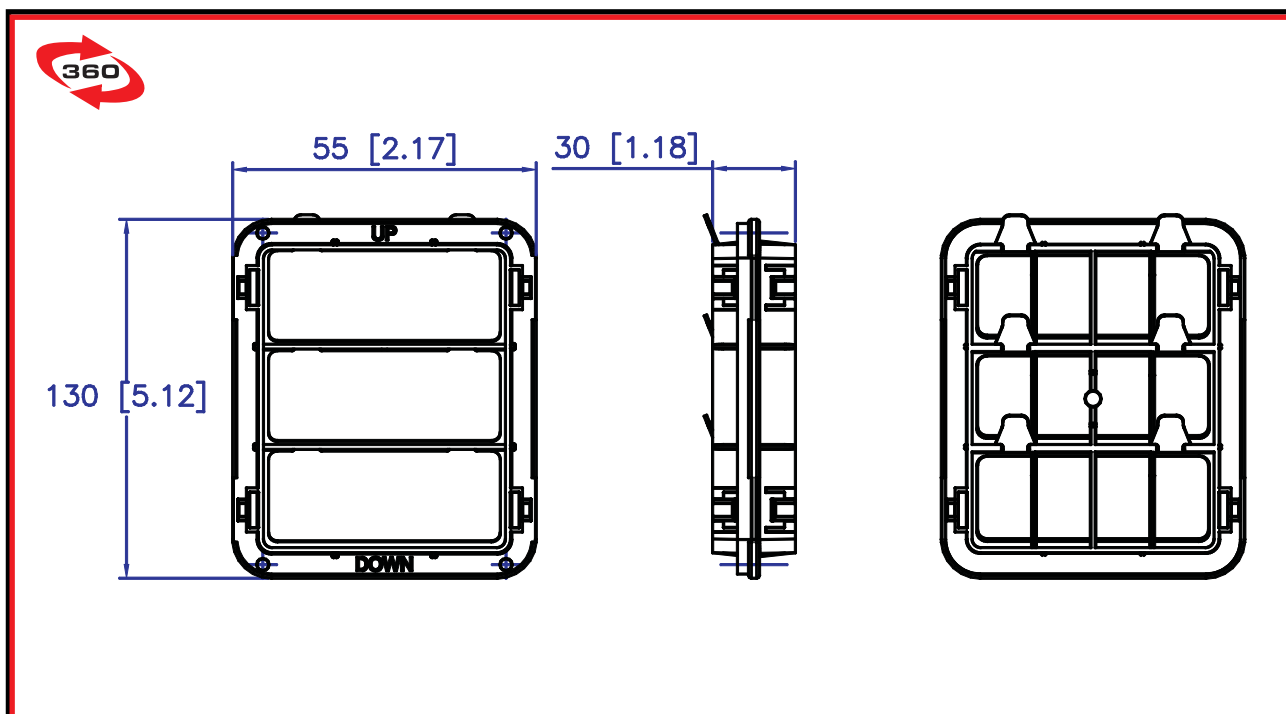
Tel: (248) 473-8660  
Fax: (248) 473-8662  
[sales@euramtec.com](mailto:sales@euramtec.com)

## Air Extractor



Euramtec's Air Extractor is ideal for sealed vehicles interiors to remove excess pressure from the cabin when the vehicle's doors are closed. Simple by design, the loose flaps of the extractor will allow excess pressure to exit the cabin, but not allow outside air to enter.

Material: PA66 + Gb30  
Air Flow: 6,840mm<sup>2</sup>



### Euramtec Corporation

29650 Grand River Ave.  
Farmington Hills, MI  
48336-5622 U.S.A.

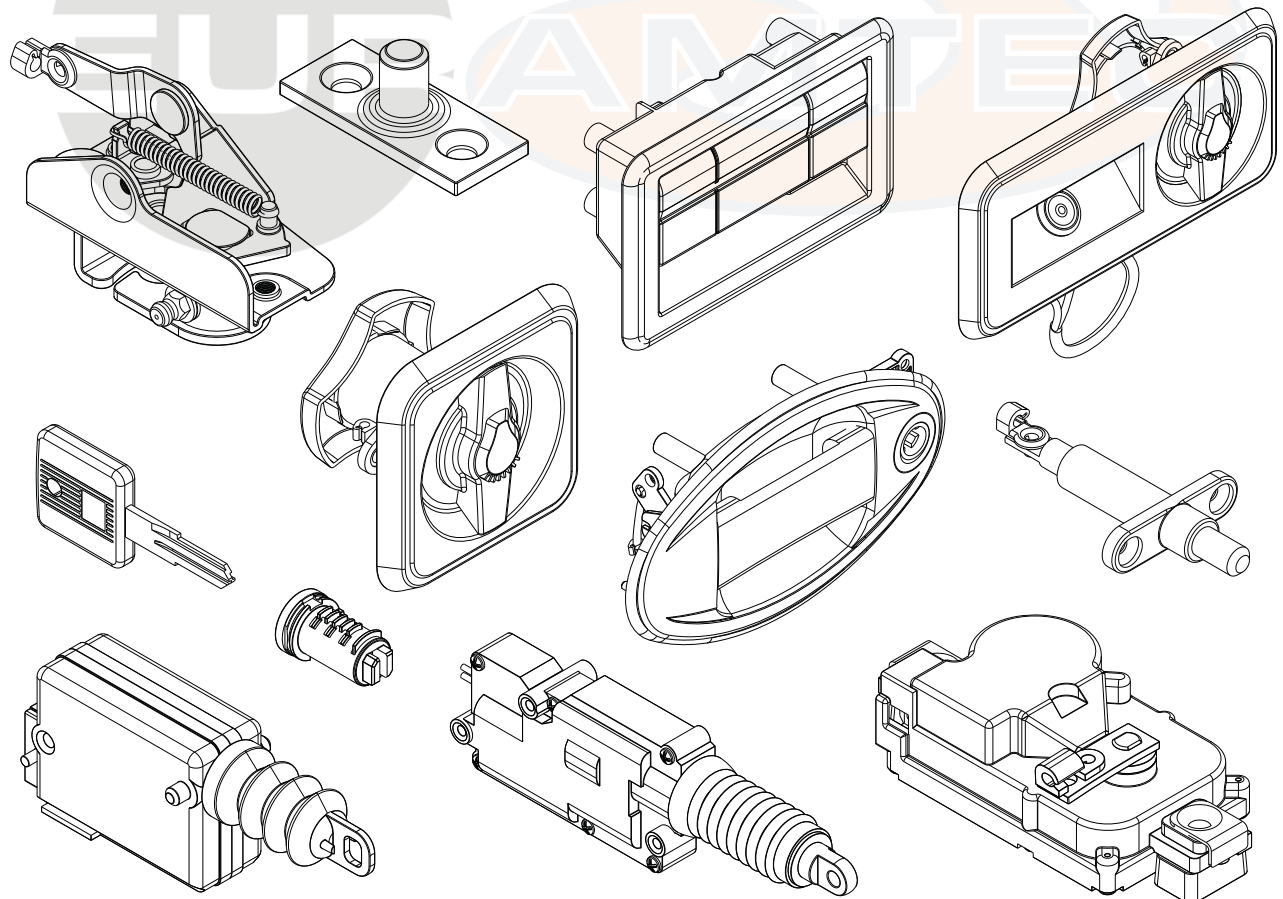
[WWW.EURAMTEC.COM](http://WWW.EURAMTEC.COM)



Tel: (248) 473-8660  
Fax: (248) 473-8662  
[sales@euramtec.com](mailto:sales@euramtec.com)

## SECTION F: DOOR HANDLES/LOCKS

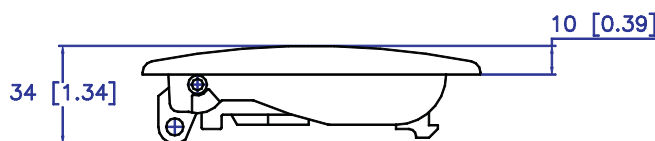
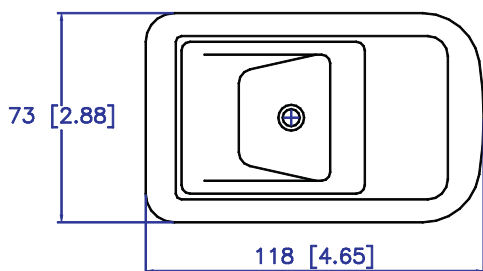
- S-68138 Interior Door Handle
- S-62178 Emergency Handle
- S-67777 Locking Handle
- S-21009.95 Locking Door Handle
- P.119 Locking Handle
- P.397 Locking Handle
- P.230 Electronic Door Handle
- S-ACT-024N-PTC1 Light-Duty Actuator
- S-ACT-035N Actuator
- S-ACT-045N Door Lock Actuator
- S-ACT-050N-LH/RH Door Latch Actuator
- S-35W Centralized Locking Module
- P.70 Forked Lock
- P.70bis Control Pin
- S-56521 Control Pin
- S-67967 Locking Pin
- P.94/S-65437 Rod Clip
- P.474 J.O.K. Lock/Key Set
- S-65639 Lock Stator
- S-67009 Latch Plate
- S-65631 Lock Guard



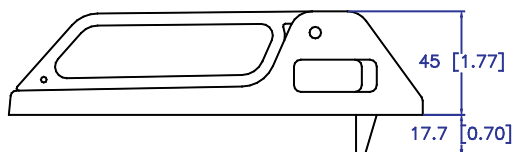
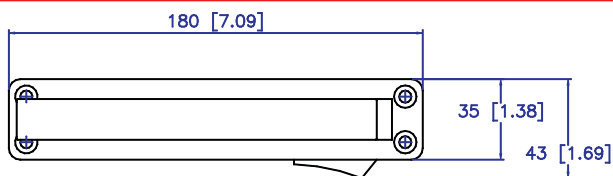
EURAMTEC CORP, 29650 GRAND RIVER AVE., FARMINGTON HILLS, MI 48336  
TEL: 248-473-8660 FAX: 248-473-8662 EMAIL: SALES@EURAMTEC.COM

## Interior Door Handles

The 68138 Door Handle is the ideal choice for any interior or exterior door application. Constructed from durable PA6 plastic, the 68138 is also UV-resistant so it is protected from the elements. Locking hardware and latches are also available for a complete installation.



The 62178 Emergency Handle is for use with emergency egress doors. Made from sturdy polyamide, the handle grip is molded in bright red color for easy visibility. Once pulled, the handle locks in place to prevent accidental re-latching. The base of the handle features a hole for a break-away wire seal.



### Euramtec Corporation

29650 Grand River Ave.  
Farmington Hills, MI  
48336-5622 U.S.A.

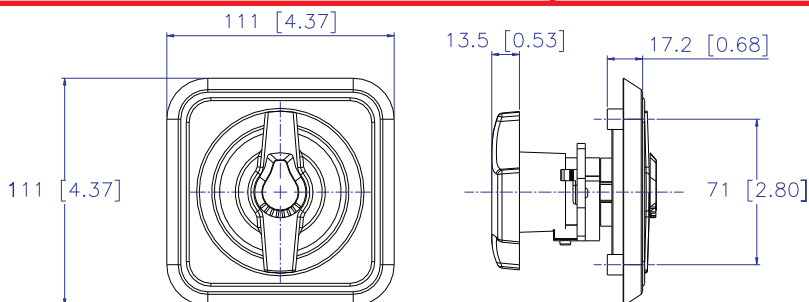
WWW.EURAMTEC.COM



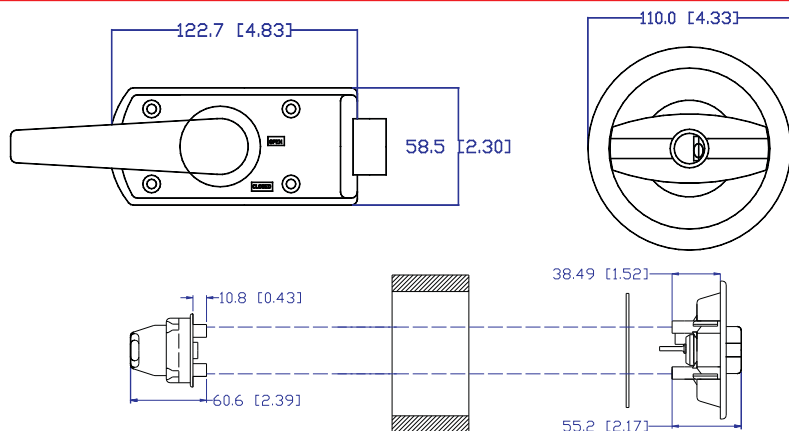
Tel: (248) 473-8660  
Fax: (248) 473-8662  
sales@euramtec.com

## Locking Door Handles

The 67777 Handle is perfect for interior or exterior door applications that require a locking handle. Comes complete with coded key; locking hardware and latches are also available. The 67777 Handle is UV-protected to withstand the elements for exterior use.



The 21009 Door Handle is an ideal choice for entry doors, bathroom doors, compartment doors, or any other door that requires a lock. Its innovative design allows the user to lock the door from the inside by simply lifting up on the handle. The set comes complete with both handle sides, sealing gasket, self-tapping mounting screws, and two handle-specific keys.



### Euramtec Corporation

29650 Grand River Ave.  
Farmington Hills, MI  
48336-5622 U.S.A.

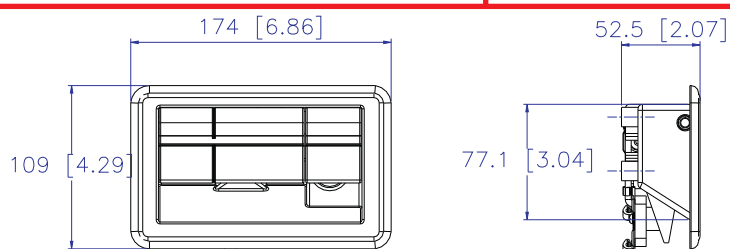
WWW.EURAMTEC.COM



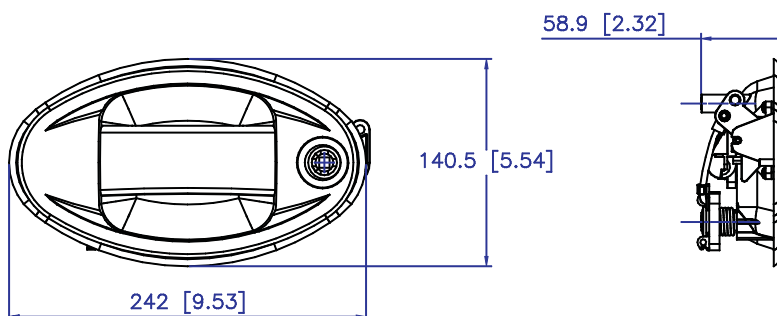
Tel: (248) 473-8660  
Fax: (248) 473-8662  
sales@euramtec.com

## Locking Door Handles (Cont.)

The P.119 Handle is a standard locking door handle for use with entrance and compartment doors. Available in three different operational models: Manual, pneumatic, and electric (operated with an electric actuator). The P.119 is supplied with a standard key/lock combination, but can be supplied with up to 40 different combinations utilizing the patented "JOK" ("Just One Key") system, where the key and locking tumbler are supplied separately from the handle.



The P.397 Handle offers a more streamlined and elegant style, but retains the same basic functions as the P.119 handle. Available in manual, pneumatic, or electrically operated models, the P.397 is only available with the "JOK" ("Just One Key") system, where the key and tumbler are supplied separately, allowing up to 40 different lock/key combinations to be available.



### Euramtec Corporation

29650 Grand River Ave.  
Farmington Hills, MI  
48336-5622 U.S.A.

WWW.EURAMTEC.COM



Tel: (248) 473-8660  
Fax: (248) 473-8662  
sales@euramtec.com

## Electronic Door Handles

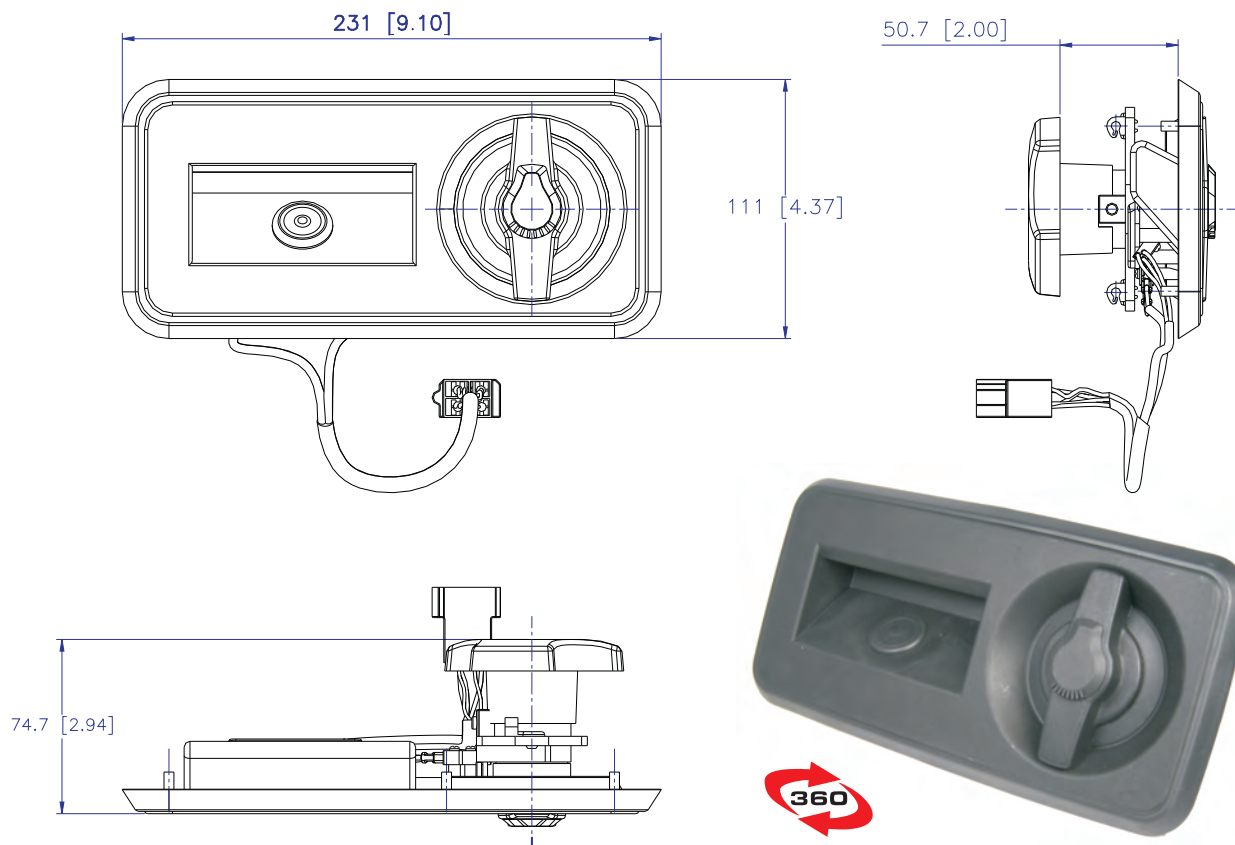
The Euramtec/Prima P.230 Handle is a sophisticated locking door handle that utilizes microswitch technology. The P.230 comes in three different models, each with different characteristics.

The manual model is the most basic version and includes mounting points for all necessary rods and hardware. It contains a microswitch located on the locking mechanism to indicate when the door is in a sealed and locked position.

The electric version retains the same functions as the manual model, but includes connection points on the mechanism designed for use with an electric door actuator. In addition, the electric handle features a second microswitch installed in a push button that allows the door to be easily opened from the outside without turning the latch.

The third model, an electro-pneumatic version, has the same two microswitches as the electric model, but also has a pneumatic microswitch at the input port of the pneumatic manifold for ease opening the door from the inside.

All three models feature UV protection and can be ordered in up to 40 different locking combinations, employing the patented JOK ("Just One Key") concept.



### Euramtec Corporation

29650 Grand River Ave.  
Farmington Hills, MI  
48336-5622 U.S.A.

WWW.EURAMTEC.COM

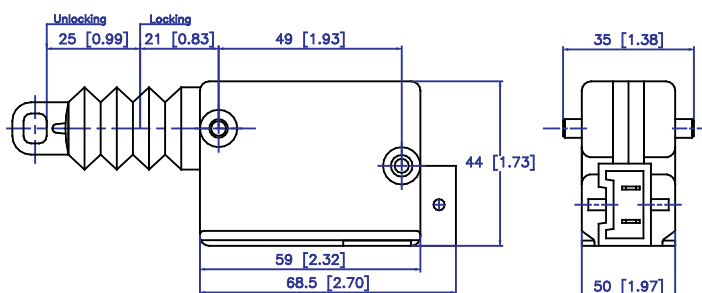


Tel: (248) 473-8660  
Fax: (248) 473-8662  
sales@euramtec.com

## Door Lock Actuators

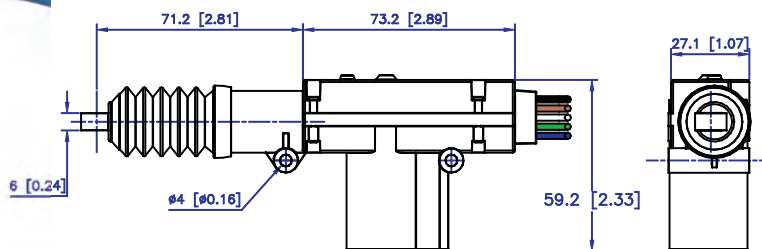
Euramtec Corporation carries a full line of door lock actuators, with varying force and features, to fit your application. For more information, please contact a Euramtec Sales Representative.

The S-ACT-024N-PTC1 Actuator has a force of 24 Newtons (5.4lbs) and is the most compact light-duty actuator Euramtec carries. Most notably, the ACT-024N Actuator contains a thermal circuit protection to preserve the motor in the event of an over voltage or seized condition.



Without Clutch

The classic “gun-style” S-ACT-035N Actuator is ideal for door locks and latches. Featuring integrated mounting points, built-in 200mm wire leads, compact size, and 35 Newtons (7.9lbs) of force, the ACT-035N is the perfect choice for many applications. Available in 2-wire and 5-wire configurations, and comes complete with all necessary mounting hardware.



With Clutch

**Euramtec Corporation**

29650 Grand River Ave.  
Farmington Hills, MI  
48336-5622 U.S.A.

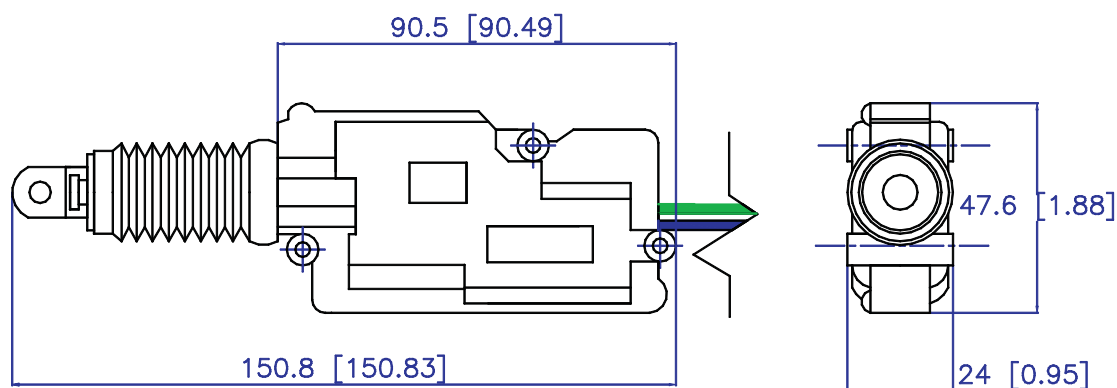
WWW.EURAMTEC.COM



Tel: (248) 473-8660  
Fax: (248) 473-8662  
sales@euramtec.com

## Door Lock Actuators (Cont.)

Euramtec's S-ACT-045N Door Lock Actuator provides high force in a small package. At 45 Newtons (10.1lbs), this actuator has the greatest linear force of any of the actuators. In addition, the ACT-045N incorporates many unique safety features: directed clutch for motor protection, overload protection lock motor, and a water resistant sealing boot. The actuator also features integrated 200mm wire leads, a rotatable and changeable connector head, and comes complete with all necessary mounting hardware.



With Clutch



### Euramtec Corporation

29650 Grand River Ave.  
Farmington Hills, MI  
48336-5622 U.S.A.

[WWW.EURAMTEC.COM](http://WWW.EURAMTEC.COM)

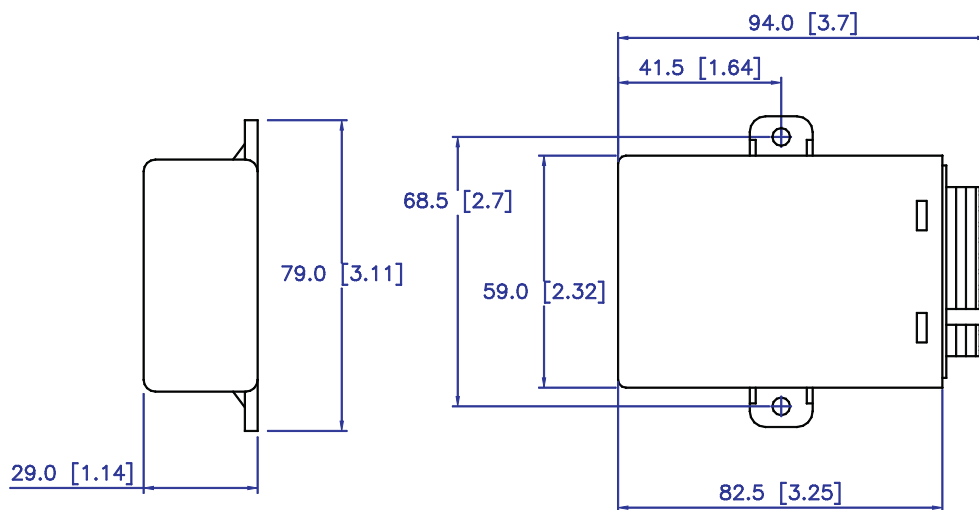


Tel: (248) 473-8660  
Fax: (248) 473-8662  
[sales@euramtec.com](mailto:sales@euramtec.com)

## Centralized Locking Module

**S-35W**


The 35W Locking Module is used to control as many as 5 door lock actuators in a centralized locking system. The unit operates on 12 volts DC and requires an input signal from either a switch or master actuator.


**Specifications:**

Operating Voltage: 9V to 15V

Maximum Load: 15A

Endurance: 100,00 Cycles

Operational Temperature Range: -50 to +70° C

Time Delay: 0.30 Sec.

**Euramtec Corporation**

29650 Grand River Ave.  
Farmington Hills, MI  
48336-5622 U.S.A.

[WWW.EURAMTEC.COM](http://WWW.EURAMTEC.COM)

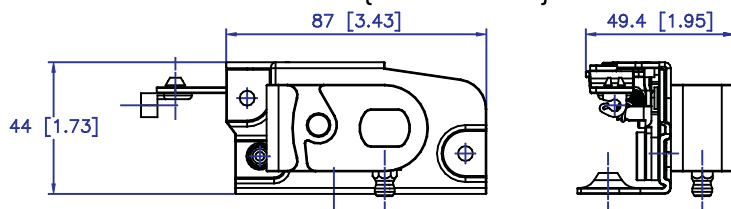


Tel: (248) 473-8660  
Fax: (248) 473-8662  
sales@euramtec.com

# Door Lock Hardware

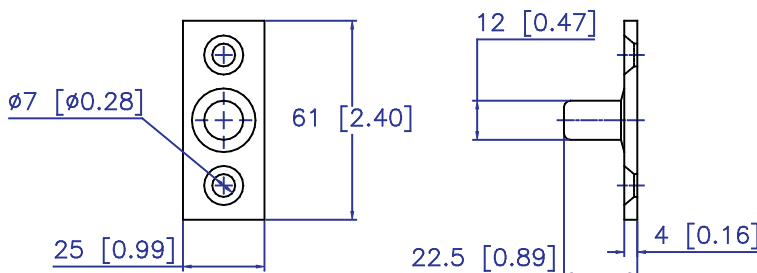
## P.70 Forked Lock

Material: Zinc-Plated Steel  
 Available Versions: LH (P/N 64957)  
 RH (P/N 64967)  
 Features: Integrated Lubrication Fitting  
 Includes P.94 Rod Clip  
 Required Fasteners: M6 Screws (Not Included)



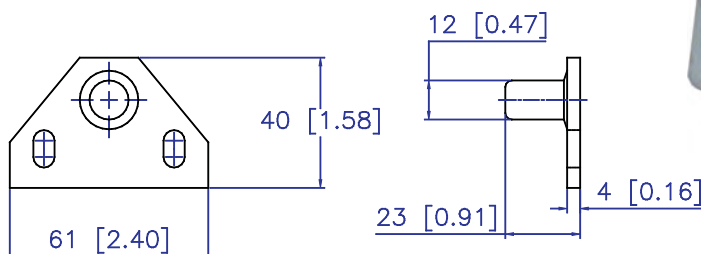
## P.70bis Control Pin

Material: Zinc-Plated Steel  
 Available Versions: 10mm Pin (P/N 64548)  
 12mm Pin (P/N 64981)  
 Required Fasteners: M6 Flathead Screws (Not Included)



## S-56521 Control Pin

Material: Zinc-Plated Steel  
 Features: Slotted Mounting Holes for Fine Adjustment  
 Required Fasteners: M6 Flathead Screws (Not Included)



**Euramtec Corporation**

29650 Grand River Ave.  
 Farmington Hills, MI  
 48336-5622 U.S.A.

[WWW.EURAMTEC.COM](http://WWW.EURAMTEC.COM)

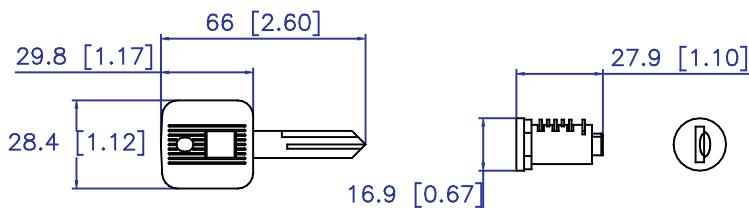
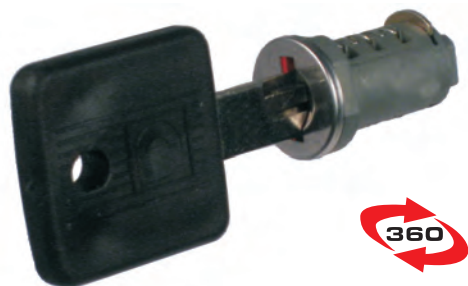


Tel: (248) 473-8660  
 Fax: (248) 473-8662  
 sales@euramtec.com

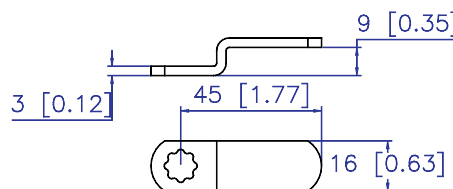
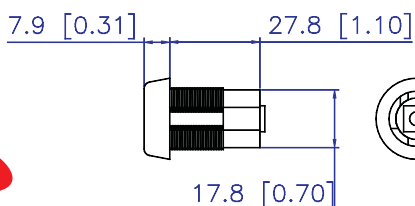


## Lock Accessories

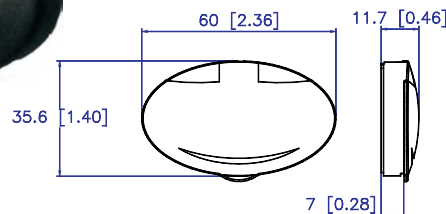
Most of the locking door handles Euramtec carries utilize the patented P.474 "Just One Key" system. With the JOK system, handles and lock components are supplied separately and can be installed with ease. In this way, it is possible to make every lock on a bus accessible with **just one key**. Up to 40 different key/lock combinations are available, please call for more details.



If a custom latch is desired, the P.474 Key/Lock can be combined with the 65639 Stator and 67009 Latch Plate. This offers a simple lock that also employs the JOK concept, where up to 40 different key combinations are available.



Designed with the same styling as the P.397 Door Handle, the 65631 Lock Guard is the perfect choice for battery compartments, maintenance hatches, or any other exterior door. Its polyamide fiberglass construction offers superior weather protection, while its stainless steel pin and spring ensure a lifetime of reliable use. Mounts easily over any lock with two self-tapping screws (not included).



### Euramtec Corporation

29650 Grand River Ave.  
Farmington Hills, MI  
48336-5622 U.S.A.

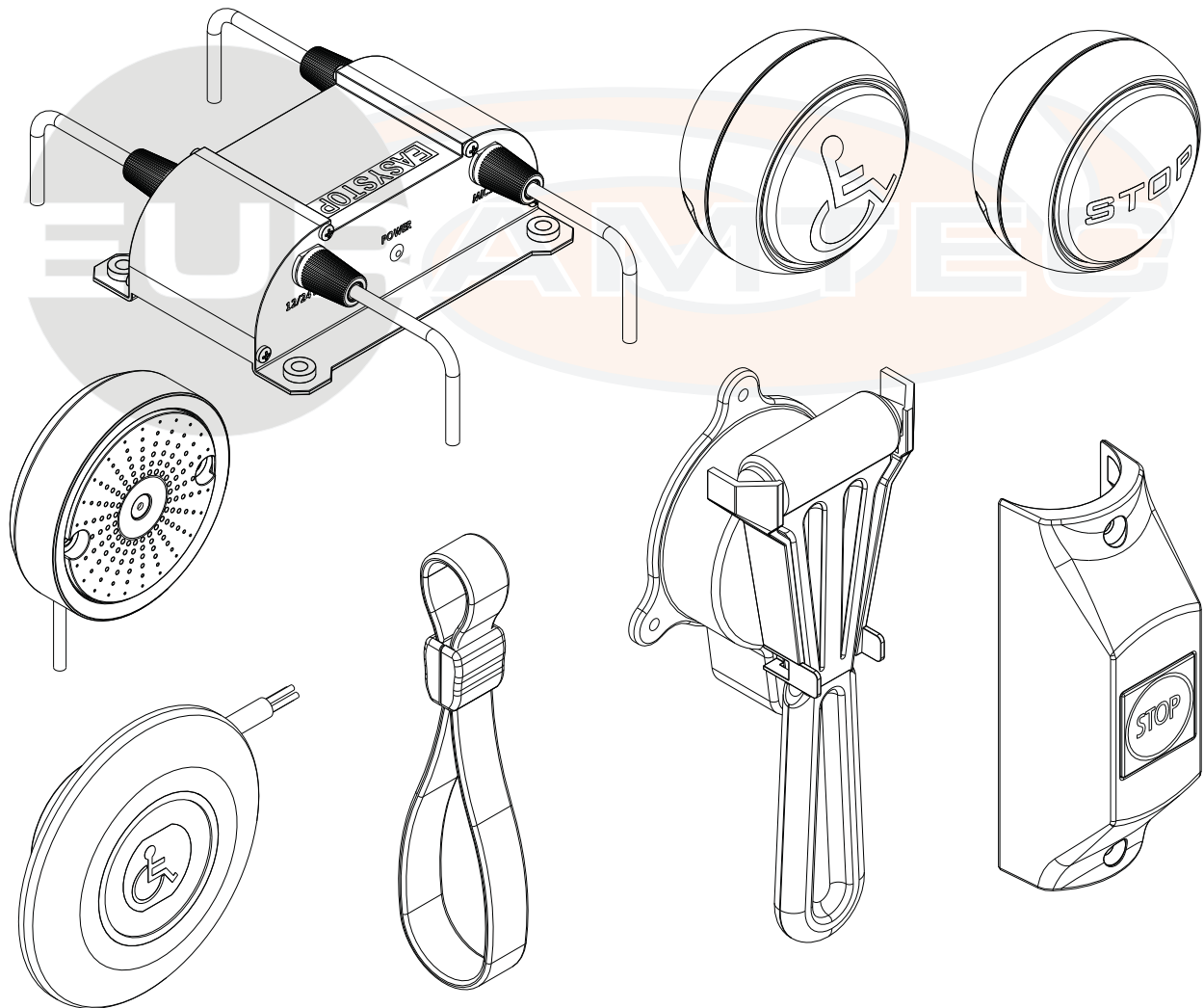
WWW.EURAMTEC.COM



Tel: (248) 473-8660  
Fax: (248) 473-8662  
sales@euramtec.com

## SECTION G: BUS/COACH ACCESSORIES

- P.318 Rack-Mounted Handle Strap
- S-Z5005084 Luggage Compartment Handle
- S-65737 Luggage Compartment Handle
- Driver/Passenger Modesty Panels
- Custom Entrance Hand Rails
- S-69097 Emergency Hammer/Cutter
- S-57720 Emergency Hammer (w/ Cable)
- City Bus Tubing Supports
- P.105 & P.288 Pole-Mounted Push Buttons
- P.167e Surface-Mounted Push Button
- P.167bis Lighted Push Button
- EasySTOP Wireless Stop Request System
- M-Door Exterior Push Button
- S-990-02 Passenger Service Set
- S-990-03 Passenger Service Set



EURAMTEC CORP, 29650 GRAND RIVER AVE., FARMINGTON HILLS, MI 48336  
TEL: 248-473-8660 FAX: 248-473-8662 EMAIL: SALES@EURAMTEC.COM

## Grab Strap Handle



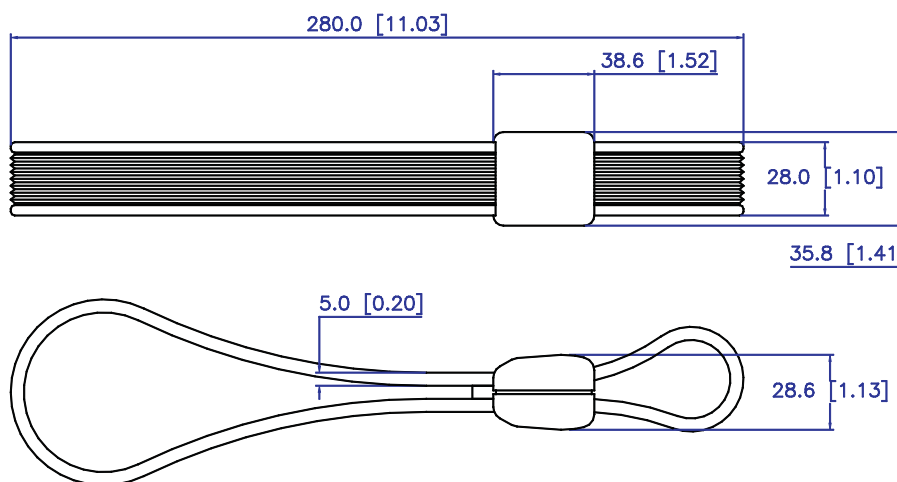
The P.318 Handle Strap is ideal for use with most city bus rack support systems. Made from strong PVC, the strap can safely hold up to 450 pounds of weight. Available for mounting on 30mm (1.2") or 35mm (1.4") tubing diameters.

### Specifications:

Material: Grey PVC (Strap)  
Reinforced Polyamide (Buckle)

Max Load: 450 lbs.

Tube Diameter 30mm (1.2") (P/N S-66199)  
35mm (1.4") (P/N S-67098)



### Euramtec Corporation

29650 Grand River Ave.  
Farmington Hills, MI  
48336-5622 U.S.A.

[WWW.EURAMTEC.COM](http://WWW.EURAMTEC.COM)



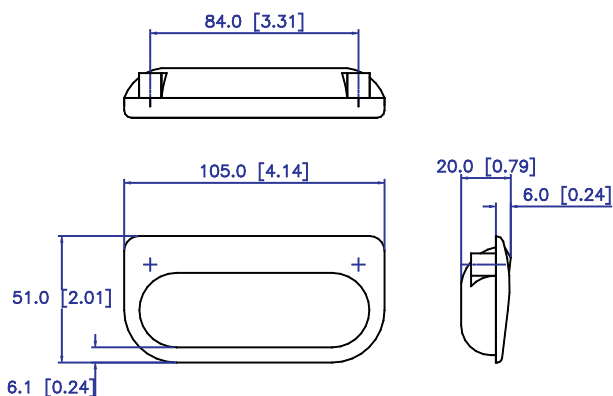
Tel: (248) 473-8660  
Fax: (248) 473-8662  
[sales@euramtec.com](mailto:sales@euramtec.com)

## Compartment Door Handles

### S-Z5005084



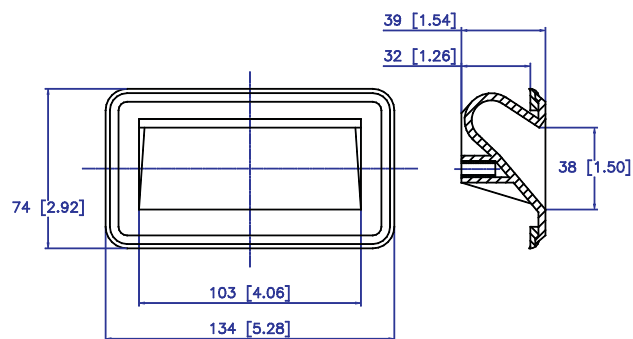
The Z5005084 Handle is ideal for parcel racks and compartment doors. Its two-piece assembly makes for an easy installation, and its sturdy zinc-alloy construction ensures years of reliable use.



### S-65737



The 65737 Handle combines well designed ergonomics with European style elegance. It is the perfect choice for any interior application, but is also UV-protected for use on exterior compartment doors as well.



**Euramtec Corporation**

29650 Grand River Ave.  
Farmington Hills, MI  
48336-5622 U.S.A.

[WWW.EURAMTEC.COM](http://WWW.EURAMTEC.COM)

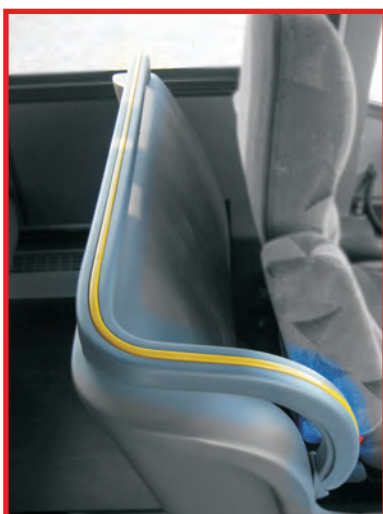
**EURAMTEC**

Tel: (248) 473-8660  
Fax: (248) 473-8662  
sales@euramtec.com

## Custom Hand Rails

For safety, durability, and elegance in your coach or transit bus, Euramtec can develop Hand Rails, custom-designed for your specific project, for any application. Our hand rails can be molded in a variety of colors and shades, and have the option of a bright yellow "safety stripe" for ease of visibility at night.

All custom rails are manufactured in North America from high-quality polyurethane and stainless steel. For more information about what Euramtec can do for your next project, contact one of our Sales Representatives today.



### Euramtec Corporation

29650 Grand River Ave.  
Farmington Hills, MI  
48336-5622 U.S.A.

[WWW.EURAMTEC.COM](http://WWW.EURAMTEC.COM)



Tel: (248) 473-8660  
Fax: (248) 473-8662  
[sales@euramtec.com](mailto:sales@euramtec.com)

## Driver/Passenger Modesty Panels



Euramtec Corporation is now supplying the transportation industry with high-quality Driver and Passenger-side Modesty Panels. These panels can be custom-designed to your specific application, and can include many features in the design, such as integrated hand rails and tempered glass shields.

All of our modesty panels start with a stainless steel frame and are covered with high quality polyurethane in the color of your choice. For more information on developing a custom modesty panel for your next model, please contact one of our Sales Representatives.



### Euramtec Corporation

29650 Grand River Ave.  
Farmington Hills, MI  
48336-5622 U.S.A.

[WWW.EURAMTEC.COM](http://WWW.EURAMTEC.COM)

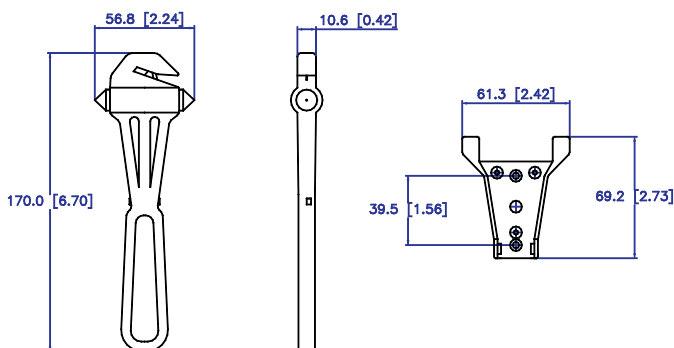


Tel: (248) 473-8660  
Fax: (248) 473-8662  
[sales@euramtec.com](mailto:sales@euramtec.com)

# Emergency Escape Hammers



The 69097 Emergency Hammer features a zinc-plated steel insert for breaking windows, and a steel razor-blade insert for cutting away seatbelts in case of an emergency.

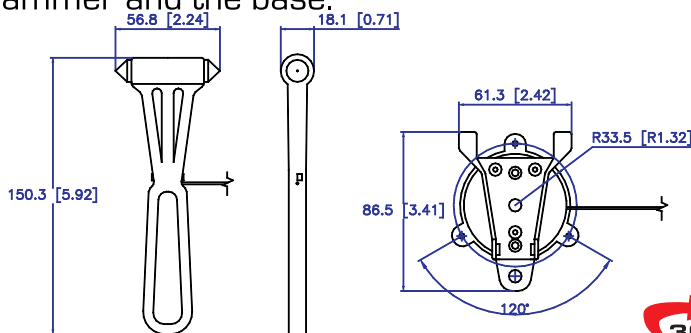


## Specifications:

Material: Polypropylene Body  
 Zinc-plated Hardened Steel Insert  
 Rating: Suitable for up to 4mm windows.



The 57720 Emergency Hammer features the same steel insert as the 69097, but is tethered to an 800mm (31.5") retractable steel cable to prevent separation of the hammer and the base.



## Specifications:

Material: Polypropylene Body  
 Zinc-plated Hardened Steel Insert  
 Rating: Suitable for up to 4mm windows.



**Euramtec Corporation**

29650 Grand River Ave.  
 Farmington Hills, MI  
 48336-5622 U.S.A.

[WWW.EURAMTEC.COM](http://WWW.EURAMTEC.COM)



Tel: (248) 473-8660  
 Fax: (248) 473-8662  
[sales@euramtec.com](mailto:sales@euramtec.com)

## City Bus Tubing Supports

Euramtec's full line of tubing supports and fittings is ideal for any transit application. Molded in durable reinforced polyamide, the supports are available in black, grey, or yellow, or can be special ordered in any color you choose.

Each piece comes complete with screws and threaded rivets, and is available in 30mm (1.2") or 35mm (1.4") tube diameters. For more information about the support and fitting line, or any other tubing components for a full system, please contact one of our Sales Representatives.

### Available Pieces

<b>P.32</b>	End Tube Support (Oval)	<b>P.42</b>	T Support
<b>P.33</b>	End Tube Support (Round)	<b>P.314</b>	End Tube Support
<b>P.36</b>	Dividing Window Support	<b>P.315</b>	90° Connecting Support
<b>P.41</b>	Connecting Rail Support	<b>P.327</b>	Tube Support



### Euramtec Corporation

29650 Grand River Ave.  
Farmington Hills, MI  
48336-5622 U.S.A.

[WWW.EURAMTEC.COM](http://WWW.EURAMTEC.COM)

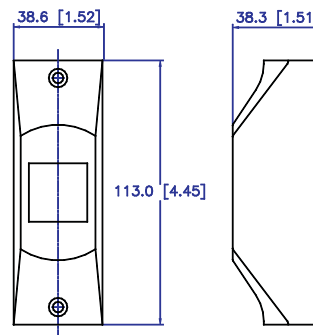


Tel: (248) 473-8660  
Fax: (248) 473-8662  
[sales@euramtec.com](mailto:sales@euramtec.com)

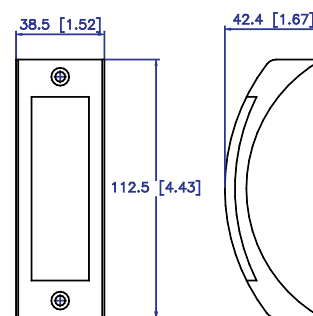
## Stop Request/Call Buttons



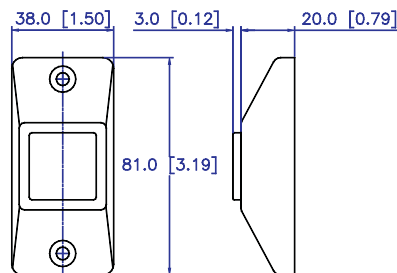
The P.105 is ideal for stanchion-mounted applications. It is available in multiple body and button color combinations and can be made with a variety of function graphics. The P.105 can be ordered for 35mm [1.4"] or 40mm [1.6"] diameter tubing, and fit 30mm [1.2"] tubes with an extra spacer.



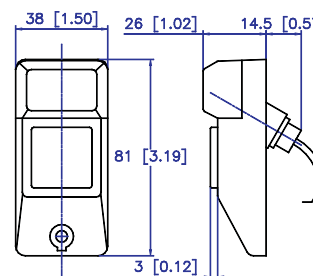
The P.288 Push Button offers the largest button size. Available in a variety of body and button color combinations with various function graphics, it is made to fit 35mm [1.4"] or 40mm [1.6"] diameter tubing. It can be mounted on 30mm [1.2"] tubes with an available spacer (P.104).



The P.167e Push Button can be mounted on any flat surface. It is available in multiple color combinations with a variety of function graphics. The P.167e comes with screw hole caps for a complete finish.



The P.167bis is a lighted version of the P.167e. The P.167bis contains a 24-volt, 4-watt incandescent lamp for illumination, making it visible in the dark. Available in multiple body and button color combinations with a variety of graphics.



### Euramtec Corporation

29650 Grand River Ave.  
Farmington Hills, MI  
48336-5622 U.S.A.

WWW.EURAMTEC.COM

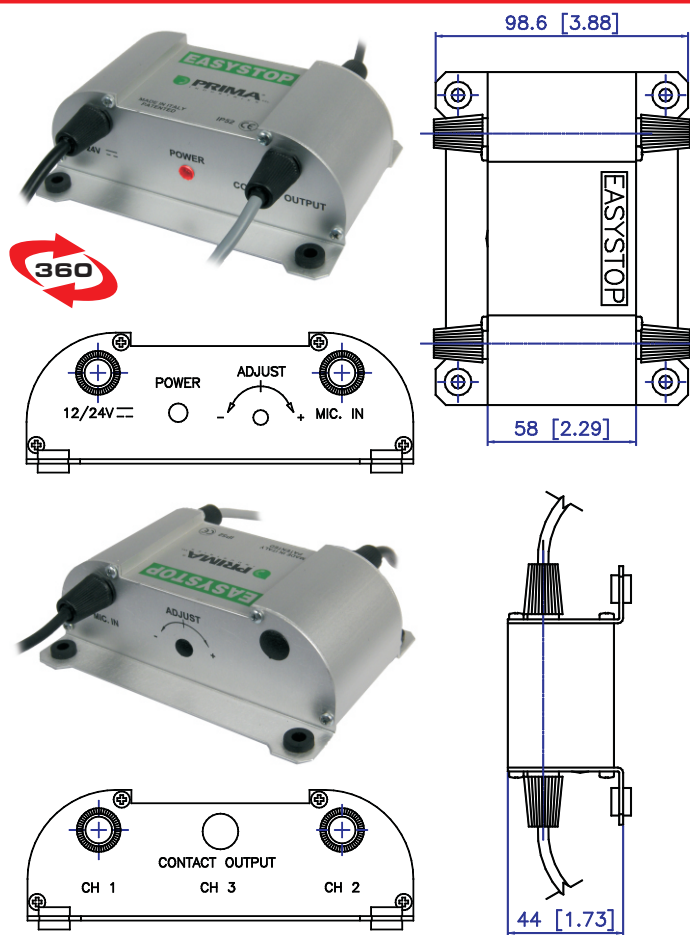


Tel: (248) 473-8660  
Fax: (248) 473-8662  
sales@euramtec.com

## EasySTOP System

In cooperation with Prima Industries of Italy, Euramtec Corporation is now supplying North America with the revolutionary EasySTOP Wireless Stop Request system. The patented EasySTOP system consists of a control unit, a microphone, and ultrasonic push buttons. The push buttons are completely wireless, eliminating the need for unnecessary cost and weight from wire, improving fuel economy and reducing the use of natural resources. The EasySTOP system responds to two different frequencies, one is for "Stop" request, and one for handicap access.

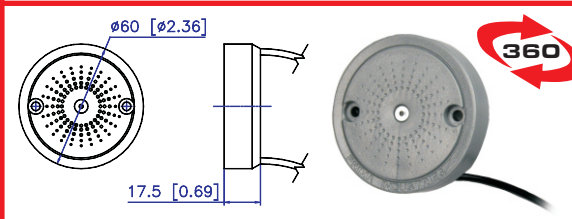
### EasySTOP Control Unit



### EasySTOP Push Button



### EasySTOP Microphone



#### Specifications:

Operating Voltage: 12 or 24VDC  
 Operating Current: 0.12A  
 Frequency: Stop: 17kHz  
                   Handicap: 25kHz  
 Microphone Range: 200-26,000Hz  
 Certifications: IP52 (Control Unit)  
 Functioning Temp: -10/+80°C

#### Components:

- EasySTOP Kit (P/N S-63002)  
 (Includes control unit, 1 microphone,  
 and all necessary wiring and connectors)  
 - STOP Push Button  
 - HANDICAP Push Button

### Euramtec Corporation

29650 Grand River Ave.  
 Farmington Hills, MI  
 48336-5622 U.S.A.

WWW.EURAMTEC.COM



Tel: (248) 473-8660  
 Fax: (248) 473-8662  
 sales@euramtec.com

## EasySTOP System

The ultrasonic push buttons can be mounted on any flat surface, or on 30mm (1.2") and 35mm (1.4") tubing.

### Round Button P.386



- S-62622**
- Surface Mount
  - Grey Body/Red Button
  - 17kHz



- S-62682**
- Surface Mount
  - Grey Body/Blue Button
  - 25kHz



- S-63202**
- Tube Mount [30-32mm]
  - Grey Body/Red Button
  - 17kHz



- S-63262**
- Tube Mount [30-32mm]
  - Grey Body/Blue Button
  - 25kHz



- S-62722**
- Tube Mount [35-38mm]
  - Grey Body/Red Button
  - 17kHz



- S-62782**
- Tube Mount [35-38mm]
  - Grey Body/Blue Button
  - 25kHz

### Slim Button P.386s



- S-64442**
- Surface Mount
  - Grey Body/Red Button
  - 17kHz



- S-64502**
- Surface Mount
  - Grey Body/Blue Button
  - 25kHz



- S-64242**
- Tube Mount [30-32mm]
  - Grey Body/Red Button
  - 17kHz



- S-64302**
- Tube Mount [30-32mm]
  - Grey Body/Blue Button
  - 25kHz



- S-64342**
- Tube Mount [35-38mm]
  - Grey Body/Red Button
  - 17kHz



- S-64402**
- Tube Mount [35-38mm]
  - Grey Body/Blue Button
  - 25kHz

**Euramtec Corporation**

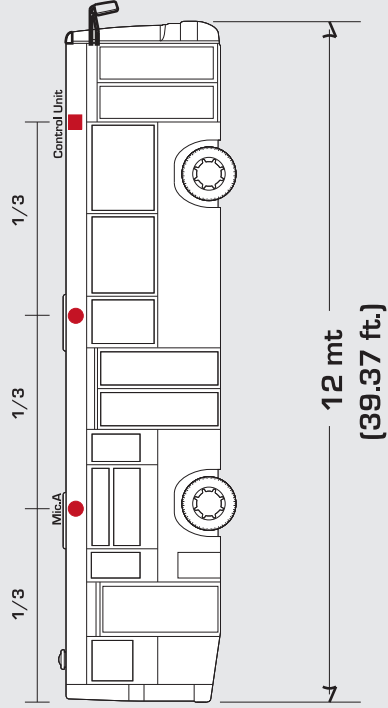
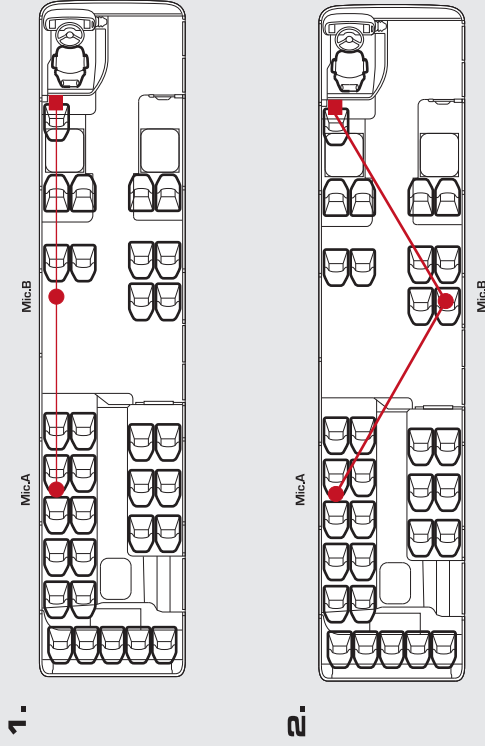
29650 Grand River Ave.  
Farmington Hills, MI  
48336-5622 U.S.A.

WWW.EURAMTEC.COM

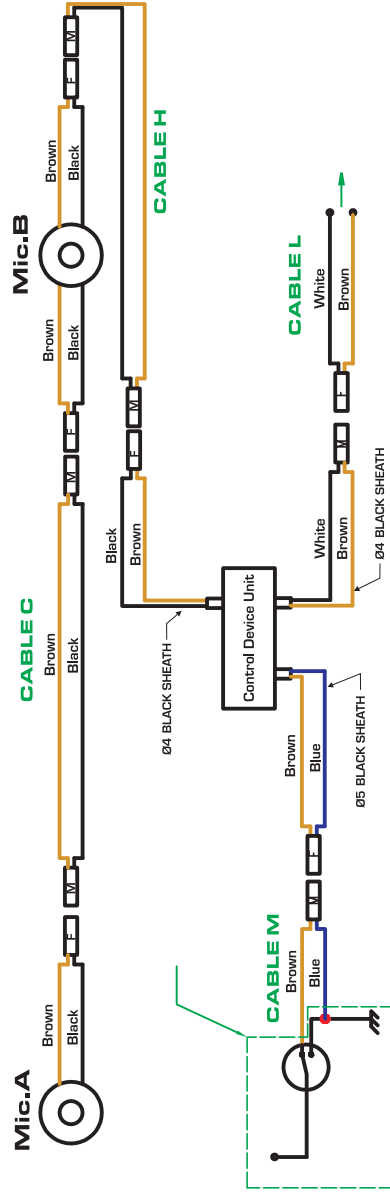


Tel: (248) 473-8660  
Fax: (248) 473-8662  
sales@euramtec.com

**EasySTOP**



**ELECTRICAL DIAGRAM**



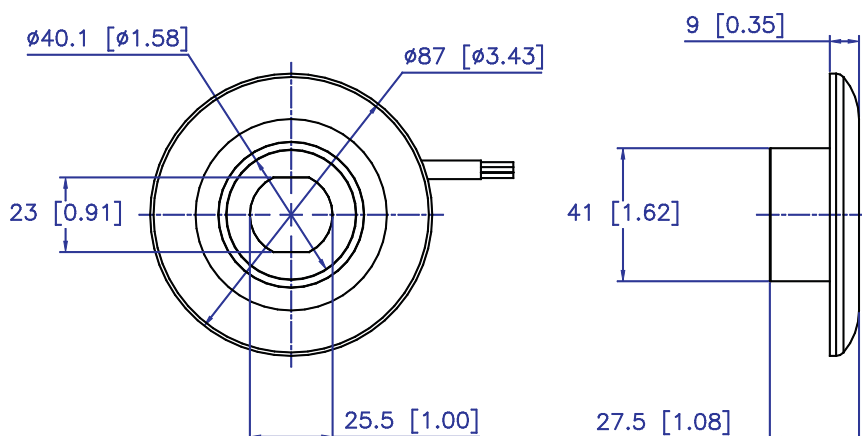
**LEGEND / DESCRIPTION**

- Microphone/Mic
- 2 Way Female Connector
- 2 Way Male Connector
- Circuit Switch



## Exterior Push Buttons

Euramtec's M-Door Push Button is the ideal combination of ergonomics, aesthetics, and performance. It is IP67 compliant, so it can be mounted reliably on the interior or exterior. Its oversized 1-1/2-inch actuator surface and vibrant LED illumination halo ring make it clearly visible and easy to operate. The M-Door switch is also available with Braille for the sight impaired.



### Specifications:

Contact Rating:	5 to 137 VDC/VAC 200mA
LED Voltage:	10 to 28 VDC
Operating Temp:	-40 to +85°C
Endurance:	3 Million Cycles
Protection:	IP67/65 IK 7

### Euramtec Corporation

29650 Grand River Ave.  
Farmington Hills, MI  
48336-5622 U.S.A.

WWW.EURAMTEC.COM



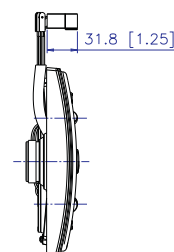
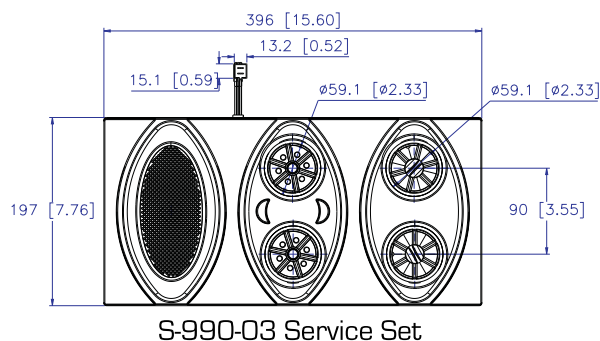
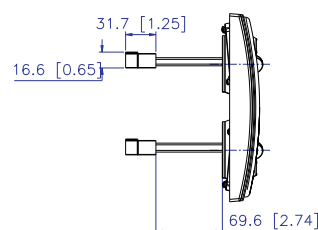
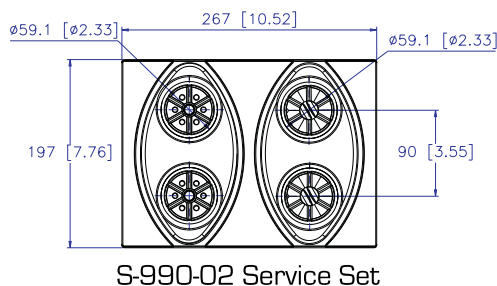
Tel: (248) 473-8660  
Fax: (248) 473-8662  
sales@euramtec.com

## Passenger Service Sets



The 990-Series Passenger Service Sets are top-of-the-line in technology and style. Available in Air/Light or Air/Light/Speaker combination sets, both models feature independent LED lighting for extra-long life and vibrant intensity. Both models also come complete with faceplate covers to give the service sets a flawless finish. In addition, the 3-gang set comes standard with illuminated service call button.

The 990 Service Sets can be used in 12 or 24VDC systems, and come in standard neutral grey color. Both sets include male blade terminals and female connector plugs for easy installation.



### Euramtec Corporation

29650 Grand River Ave.  
Farmington Hills, MI  
48336-5622 U.S.A.

WWW.EURAMTEC.COM

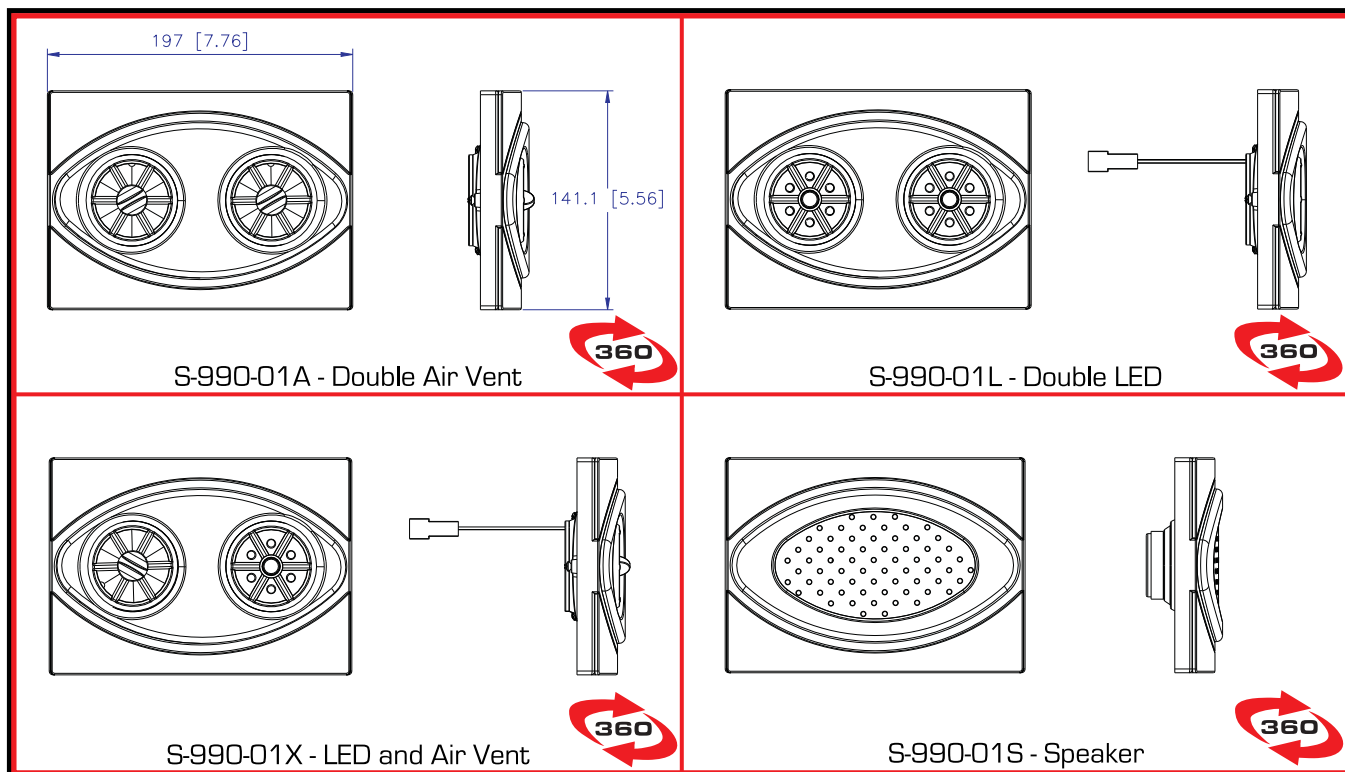


Tel: (248) 473-8660  
Fax: (248) 473-8662  
sales@euramtec.com

## Individual Service Modules



Euramtec's S-990-01 Series Service Modules offer the same technology and style as the full 990 Service Sets but in smaller, specialized units. The Service Modules are available in four different configurations: Double Air Vent, Double LED, Air Vent and LED, and Speaker modules.



### Euramtec Corporation

29650 Grand River Ave.  
Farmington Hills, MI  
48336-5622 U.S.A.

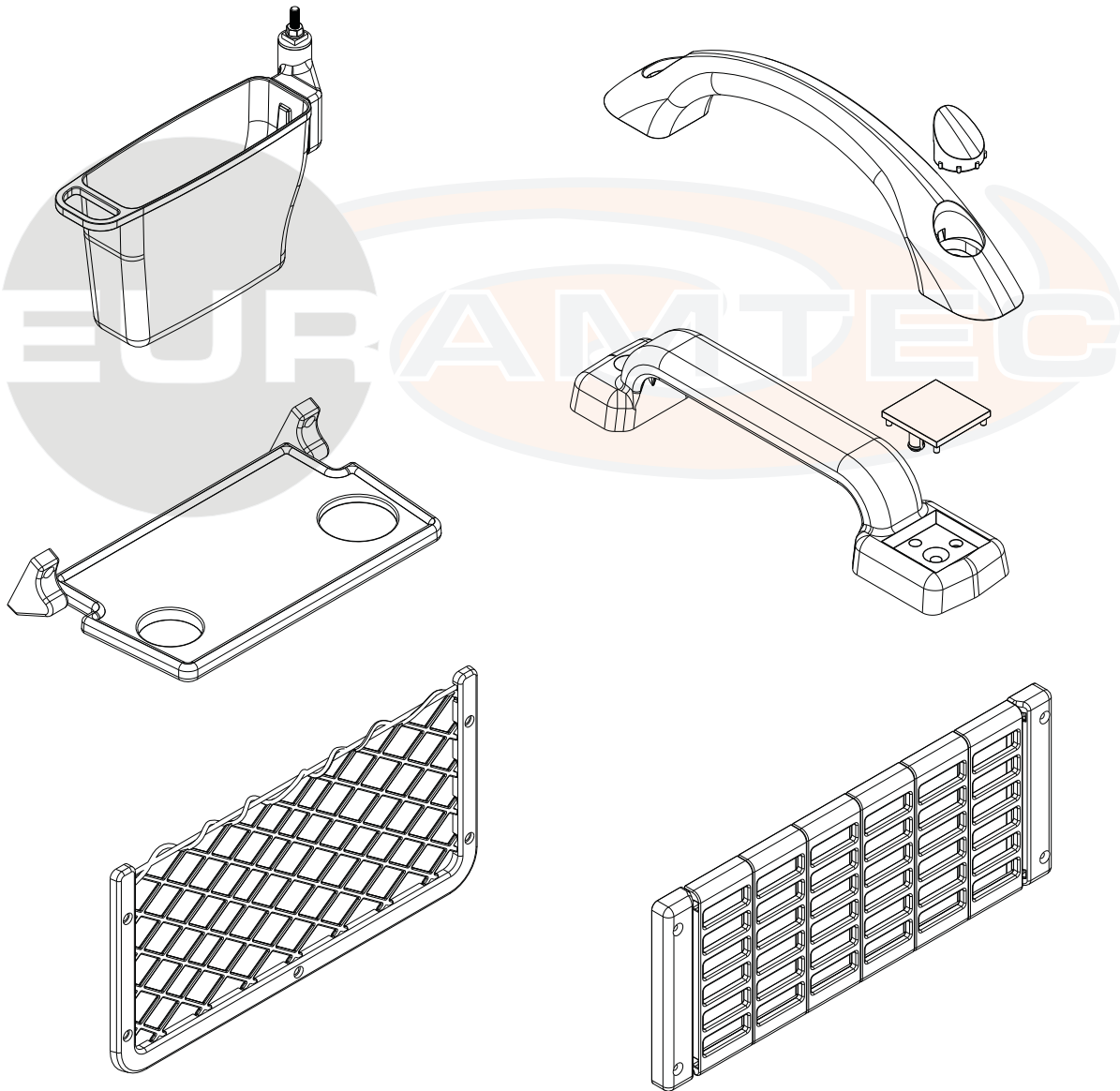
[WWW.EURAMTEC.COM](http://WWW.EURAMTEC.COM)



Tel: (248) 473-8660  
Fax: (248) 473-8662  
[sales@euramtec.com](mailto:sales@euramtec.com)

## SECTION H: SEATING ACCESSORIES

- S-6030095 Low Seatback Grab Handle
- S-6030795 High Seatback Grab Handle
- S-603764B Soft-Touch Grab Handle
- S-6037345 Rigid Grab Handle
- Mesh Magazine Nets
- Rigid Magazine Holders
- S-6043455 30° Folding Tray Table
- S-6041185 25° Folding Tray Table
- S-604617B 10° Folding Tray Table
- S-6086910 Seatback Footrest
- S-80152 Swing-Out Refuse Bin
- Custom Seat Accessories (Armrests, Handles, etc.)

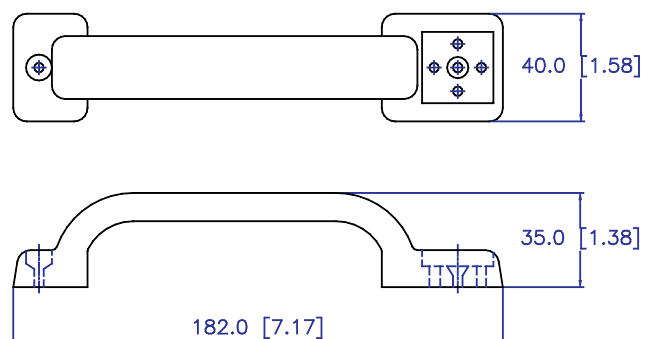


EURAMTEC CORP, 29650 GRAND RIVER AVE., FARMINGTON HILLS, MI 48336  
TEL: 248-473-8660 FAX: 248-473-8662 EMAIL: SALES@EURAMTEC.COM

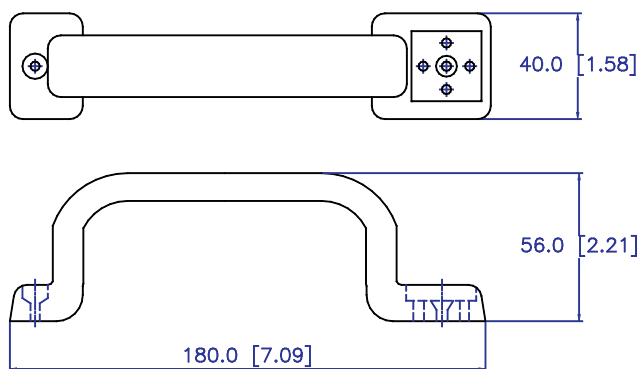
## Seatback Grab Handles

The 6030095 and 6030795 grab handles are of the same model, but a low and high version respectively. Both handles have a unique design feature that allows the integration of an optional coat hook accessory (P/N 6020085).

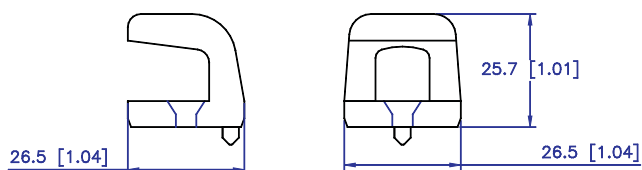
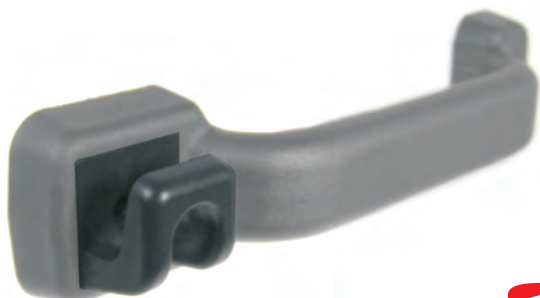
### 6030095



### 6030795



### 6020085



**Euramtec Corporation**

29650 Grand River Ave.  
Farmington Hills, MI  
48336-5622 U.S.A.

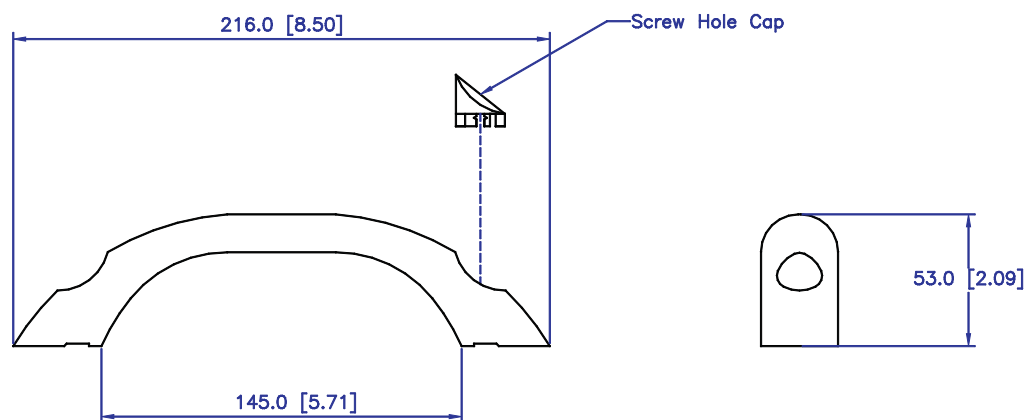
[WWW.EURAMTEC.COM](http://WWW.EURAMTEC.COM)



Tel: (248) 473-8660  
Fax: (248) 473-8662  
sales@euramtec.com

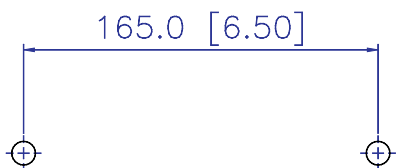
## Seatback Grab Handles (Cont.)

The 603764B and 6037345 Grab Handles are nearly the same in design, but made from different materials. The 603764B is made from a soft, but strong, PSG material, giving it a softer, more comfortable feel. The 6037345 is a more traditional rigid handle, made from a durable PP material. Each handle is available in either black or grey color and comes complete with screw-hole caps for a finished installation.

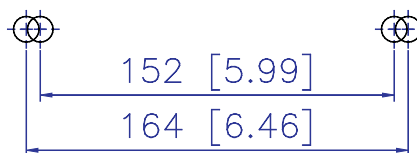


### Drilling Templates:

#### 603764B



#### 6037345



### Euramtec Corporation

29650 Grand River Ave.  
Farmington Hills, MI  
48336-5622 U.S.A.

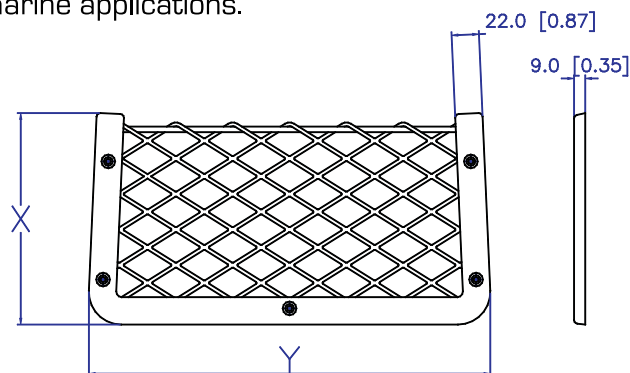
WWW.EURAMTEC.COM



Tel: (248) 473-8660  
Fax: (248) 473-8662  
sales@euramtec.com

## Magazine Nets

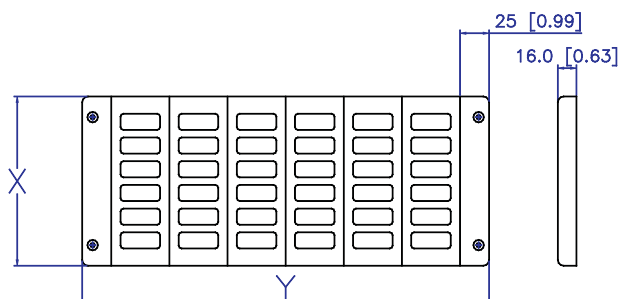
Euramtec Corporation offers a full line of mesh magazine nets for the transportation industry. The nets are made from durable ABS plastic and come complete with net, frame, and screw hole caps. These nets are flexible and will conform to any seat contour. Also available in white color for marine applications.



### Specifications:

- Material: PP, PC-ABS
- Available Colors: Black or White
- Available Sizes: 168.5 x 302mm (6.6" x 12")      180 x 366mm (7" x 14.5")
- (X x Y) 168.5 x 325mm (6.6" x 13")      168 x 410mm (6.6" x 16")
- 120 x 370mm (5" x 14.5")      210 x 415mm (8.25" x 16.25")

Euramtec's rigid magazine holders are an ideal alternative to our mesh nets. Made from the same durable ABS plastic, the rigid magazine holders are available in a variety of sizes.



### Specifications:

- Material: PP, ABS
- Available Colors: Black
- Available Sizes: 145.5 x 306mm (5.75" x 12")
- (X x Y) 145.5 x 350mm (5.75" x 13.75")
- 145.5 x 401mm (5.75" x 15.75")

## Euramtec Corporation

29650 Grand River Ave.  
Farmington Hills, MI  
48336-5622 U.S.A.

WWW.EURAMTEC.COM

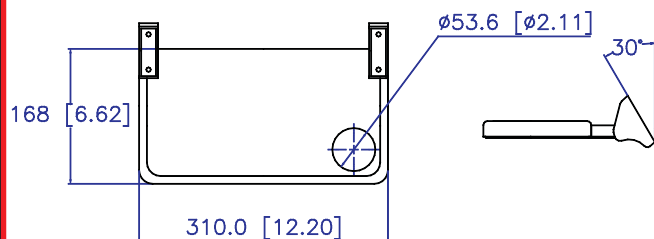


Tel: (248) 473-8660  
Fax: (248) 473-8662  
sales@euramtec.com

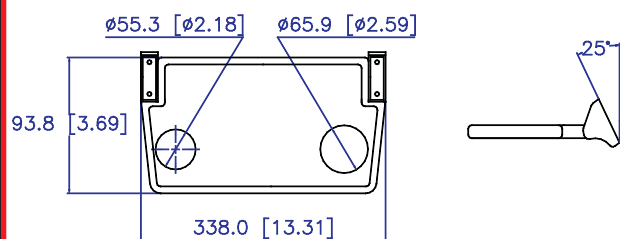
## Folding Tray Tables

Euramtec supplies the seating industry with quality, European-styled folding tray tables. All trays come complete with the mounting fittings for easy installation.

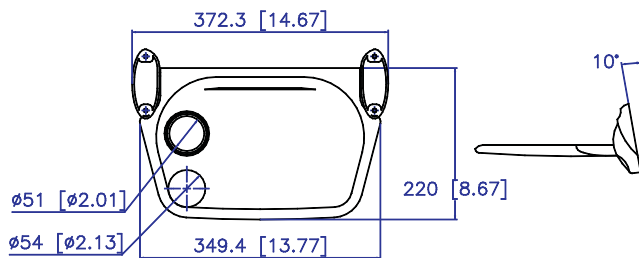
The 6043455 table tray is a standard tray made for seat backs with a 30° inclination. It has a safety collapse rating of 12 lbs.



The 6041185 folding tray offers a more angular design and has two beverage holders, one cut through the table and one indentation. It is made for seats with 25° inclinations and can safely hold up to 14 lbs.



The 604617B table is a sleek, streamlined design made from a strong thermo-plastic material. It is set for a 10° inclination and can safely hold a load of up to 25 lbs.



### Euramtec Corporation

29650 Grand River Ave.  
Farmington Hills, MI  
48336-5622 U.S.A.

WWW.EURAMTEC.COM



Tel: (248) 473-8660  
Fax: (248) 473-8662  
sales@euramtec.com

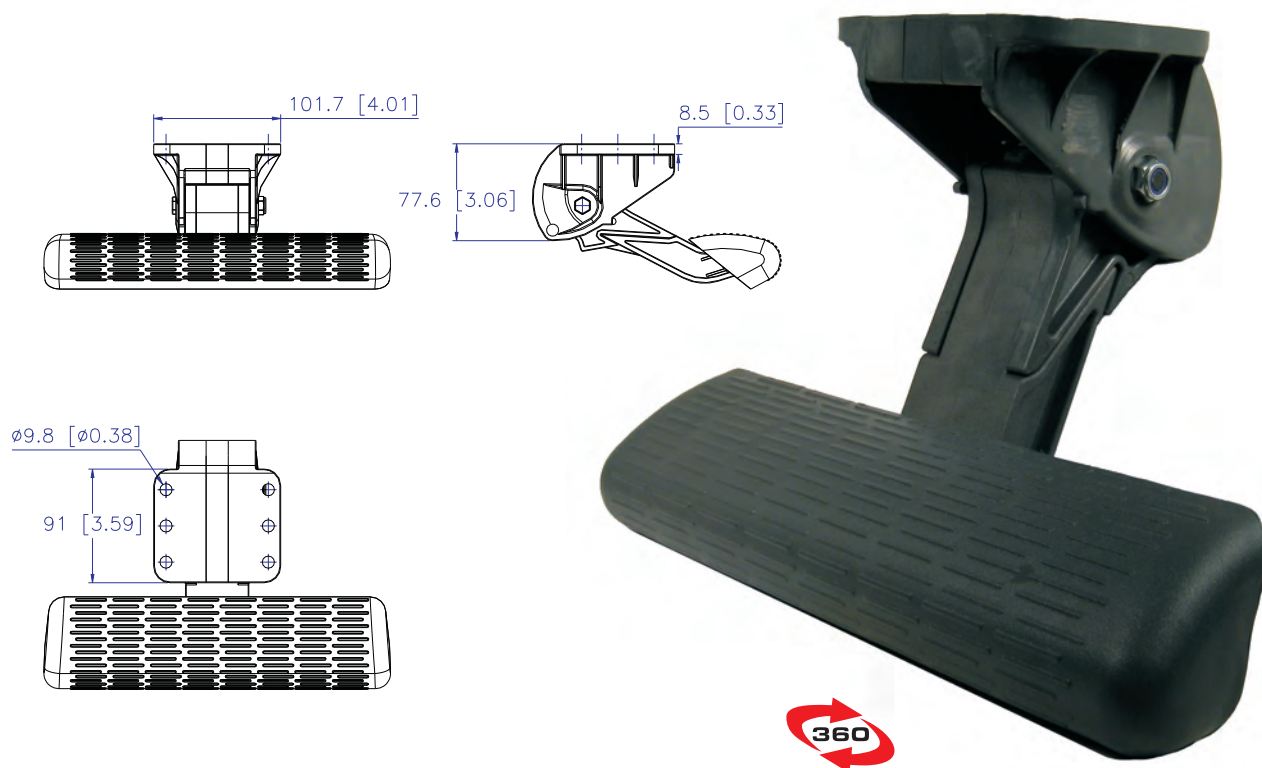
## Seatback Footrests

In our endeavor to provide quality components to the growing seat industry, Euramtec's seating accessory line now includes durable, European-Made footrests. Designed and manufactured in Europe for guaranteed functionality and aesthetics, Euramtec now proudly brings this quality to the North American market. All of our footrests are constructed from lightweight aluminum, but are rated to a load of over 600lbs. For more information about possible applications and other available models, please contact one of our Sales Representatives.

### Specifications:

Material: Aluminum, PA, PP  
 Color: Dark Grey  
 Weight: 0.9kg (2.1 lbs)\*  
 Load Rating: 300kg (661lbs)  
 Certifications: 95/28/EC for Flammability

\*weight varies by model



**Euramtec Corporation**

29650 Grand River Ave.  
 Farmington Hills, MI  
 48336-5622 U.S.A.

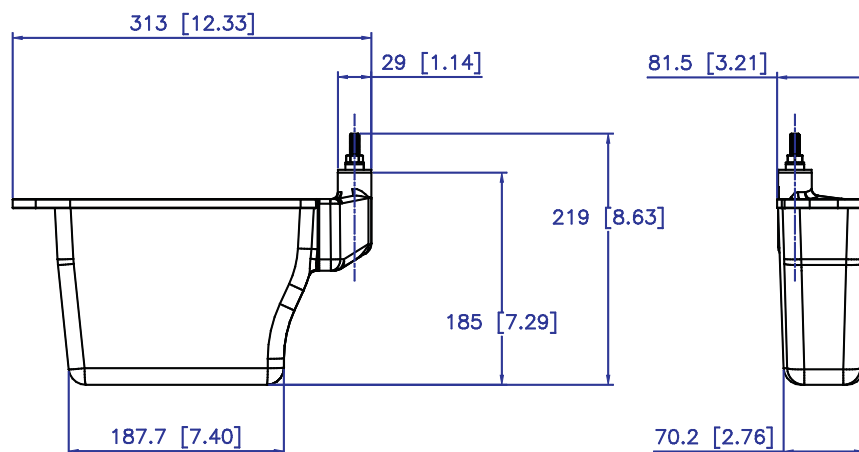
[WWW.EURAMTEC.COM](http://WWW.EURAMTEC.COM)



Tel: (248) 473-8660  
 Fax: (248) 473-8662  
[sales@euramtec.com](mailto:sales@euramtec.com)

## Swing-Out Refuse Bins

Euramtec's 80152 Refuse Bins are an easy and convenient accessory for any seat application. The oversized receptacle stores neatly under the seat, out of the way of passengers, and easily swings out for use. With a simple twist, the bin can be removed from the hinge for easy cleaning. Durable, practical, and convenient, the 80152 Refuse Bin is available in both right and left-hand models.



### Specifications:

- Material: PC/ABS and Steel
- Models: 801529B (Right-Hand Side)  
801530B (Left-Hand Side)
- Volume: 153ci (approx.)
- Weight: 0.9lbs/each (w/hinge)

### Euramtec Corporation

29650 Grand River Ave.  
Farmington Hills, MI  
48336-5622 U.S.A.

[WWW.EURAMTEC.COM](http://WWW.EURAMTEC.COM)



Tel: (248) 473-8660  
Fax: (248) 473-8662  
[sales@euramtec.com](mailto:sales@euramtec.com)

## Custom Seat Accessories

To meet the growing needs of the seat industry, Euramtec is prepared to custom develop quality seating accessories at affordable costs. Each and every component can be custom-tailored to your application's specific requirements. All custom products are produced in North America and made from polyurethane with stainless steel inserts for unmatched quality and durability.

From Center and Aisle Armrests to Seat Back, Side, and Top Grab Handles, all products can be molded in a variety of shades and colors to match your specific interior color theme.

For more information about Euramtec's production capabilities, please contact one of our Sales Representatives.



### Euramtec Corporation

29650 Grand River Ave.  
Farmington Hills, MI  
48336-5622 U.S.A.

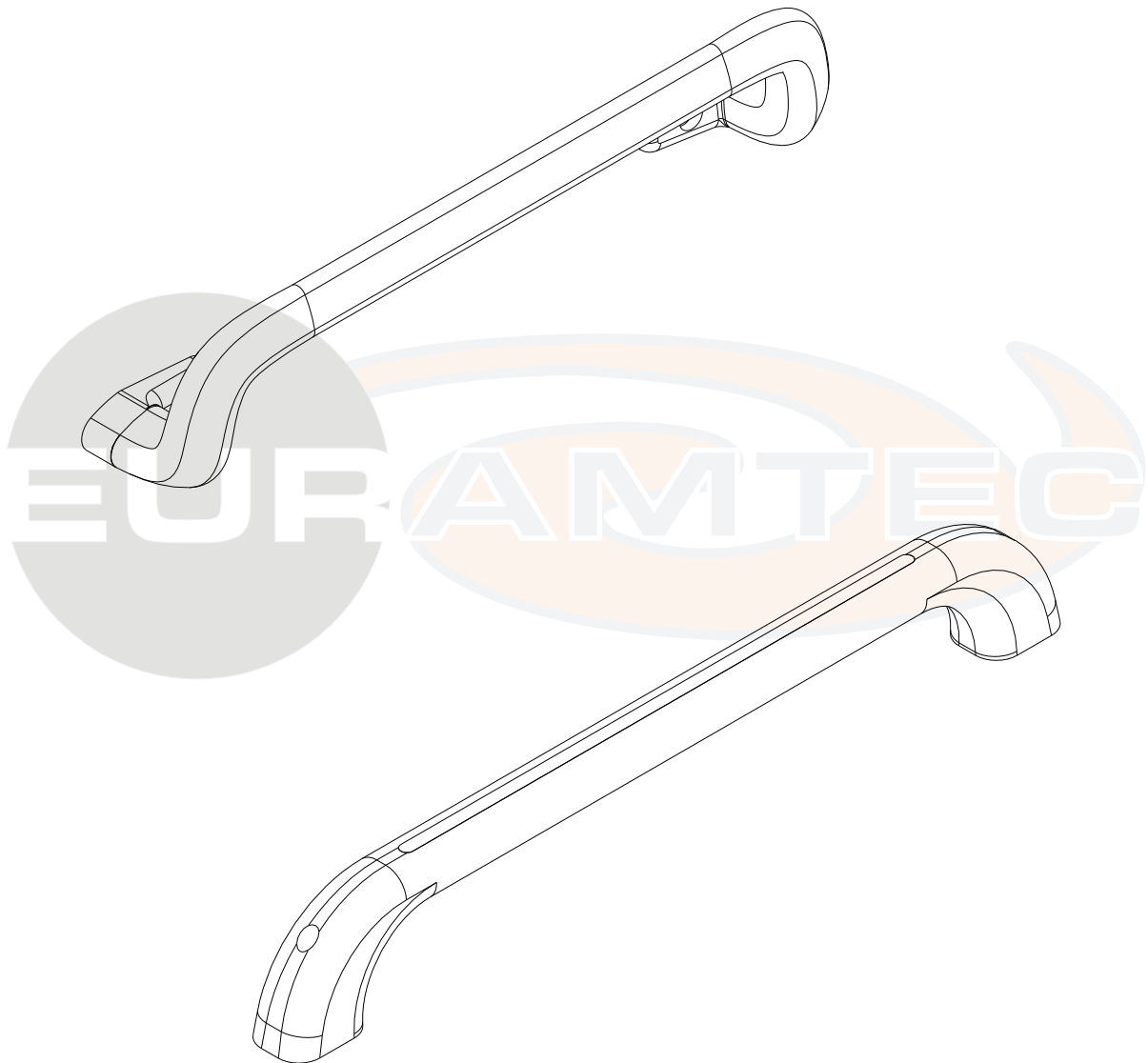
[WWW.EURAMTEC.COM](http://WWW.EURAMTEC.COM)



Tel: (248) 473-8660  
Fax: (248) 473-8662  
[sales@euramtec.com](mailto:sales@euramtec.com)

## **SECTION I: GRAB HANDLES**

- **S-603 & S-604 Entry Grab Handles**
- **S-605 Safety Grab Rail**



**EURAMTEC CORP, 29650 GRAND RIVER AVE., FARMINGTON HILLS, MI 48336  
TEL: 248-473-8660 FAX: 248-473-8662 EMAIL: SALES@EURAMTEC.COM**

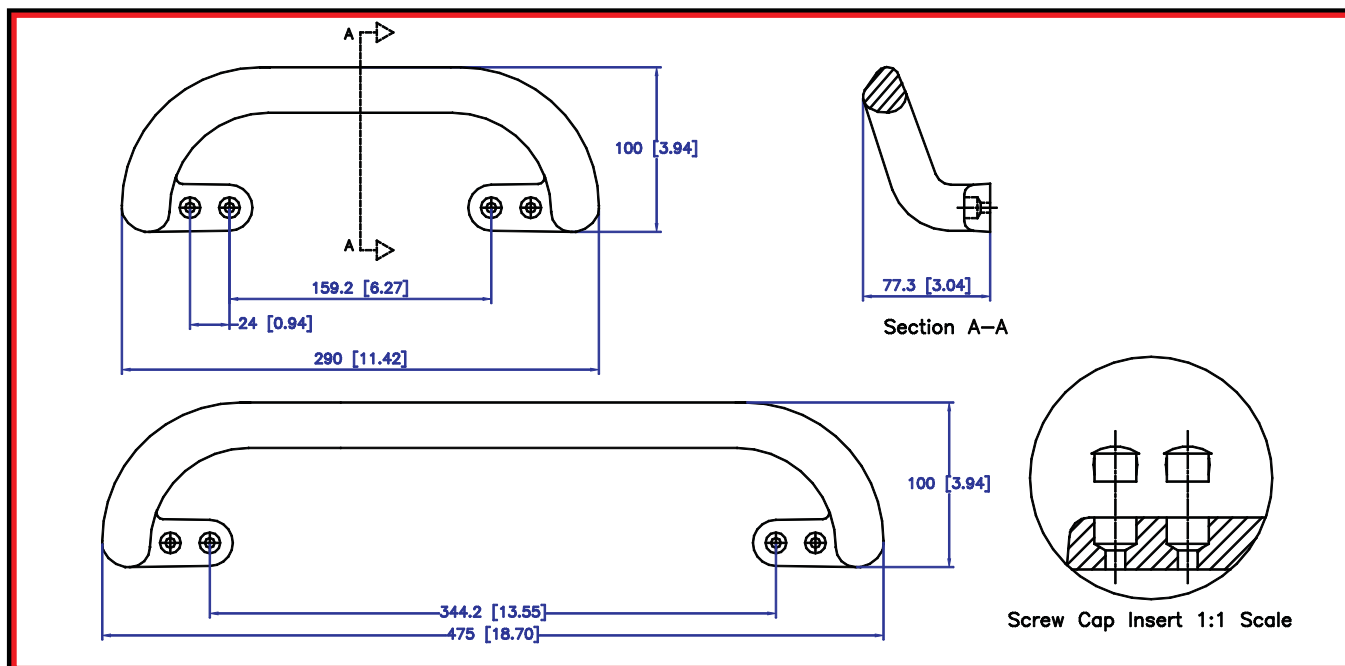
## Entry Grab Handles



Euramtec Corporation is now supplying the transportation industry with a durable entry/grab handle. This new handle is as strong as it is attractive, with a polyurethane skin molded over a solid steel core.

The handle is available in two sizes, the S-603 (290mm, 11.4") and the S-604 (475mm, 18.7") and can be supplied in black or grey color to match any interior color theme.

Distinct European styling and strong steel-core construction, Euramtec's entry grab handle is the perfect choice for your application. Please contact a Euramtec Sales Representative for more information.



### Euramtec Corporation

29650 Grand River Ave.  
Farmington Hills, MI  
48336-5622 U.S.A.

WWW.EURAMTEC.COM

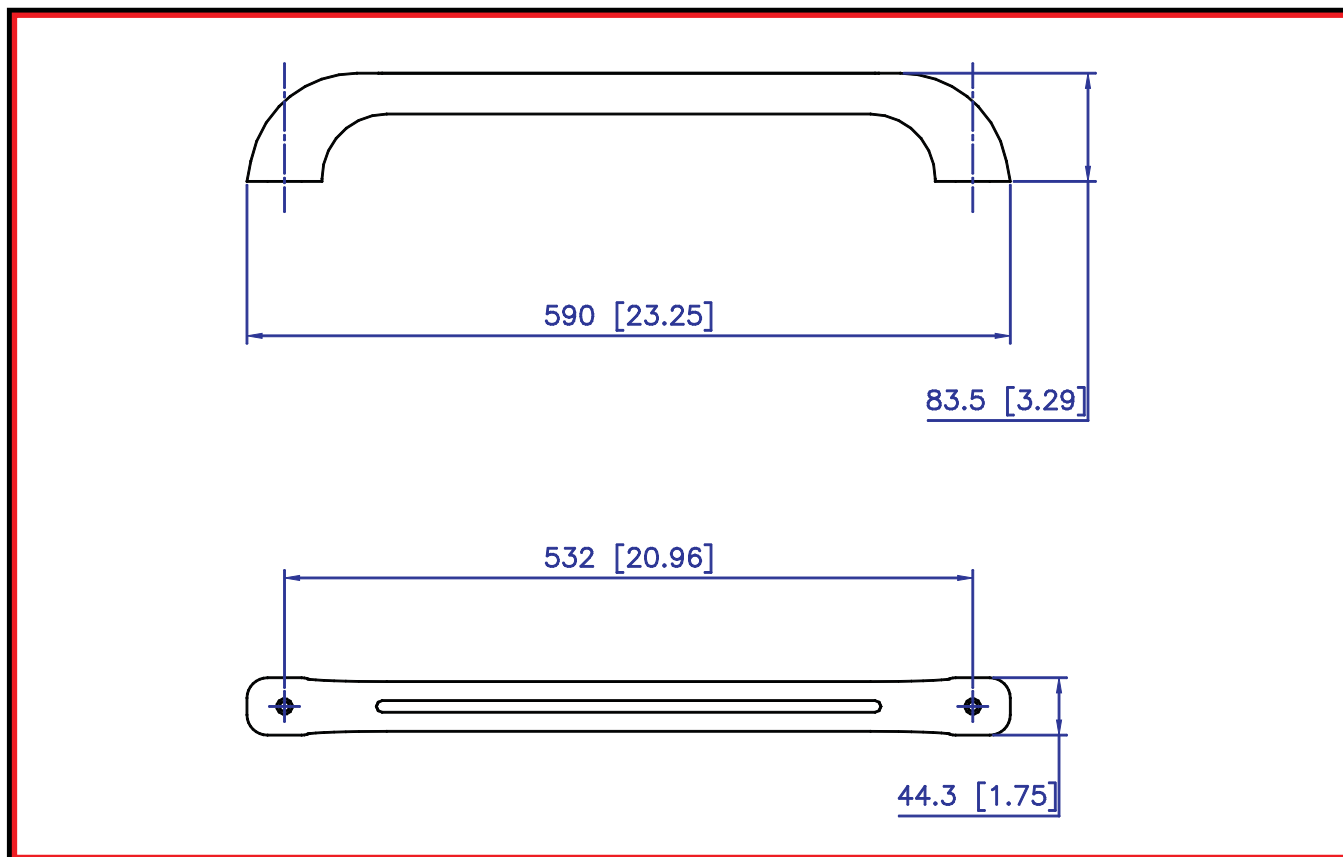


Tel: (248) 473-8660  
Fax: (248) 473-8662  
sales@euramtec.com

## Safety Grab Rail



Euramtec's S-605 Grab Rail is an ideal choice for entrance ways, aisle-ways, bathrooms, or anywhere else where extra support may be needed. All rails are made of durable polyurethane with a stainless steel core. Available in black or medium grey color, the 605 Rail comes standard with a vibrant yellow "safety stripe" for easy visibility in low light situations.



### Euramtec Corporation

29650 Grand River Ave.  
Farmington Hills, MI  
48336-5622 U.S.A.

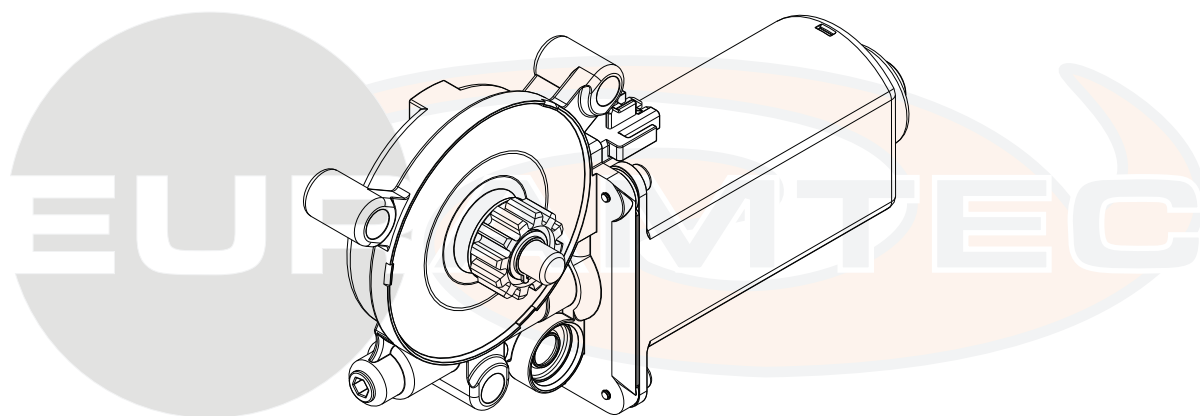
[WWW.EURAMTEC.COM](http://WWW.EURAMTEC.COM)



Tel: (248) 473-8660  
Fax: (248) 473-8662  
[sales@euramtec.com](mailto:sales@euramtec.com)

## SECTION J: MOTORS

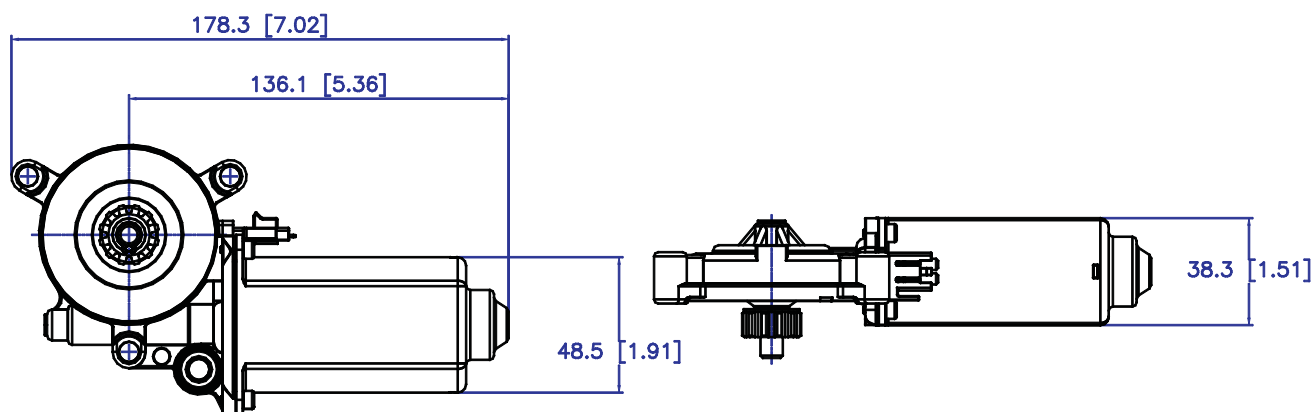
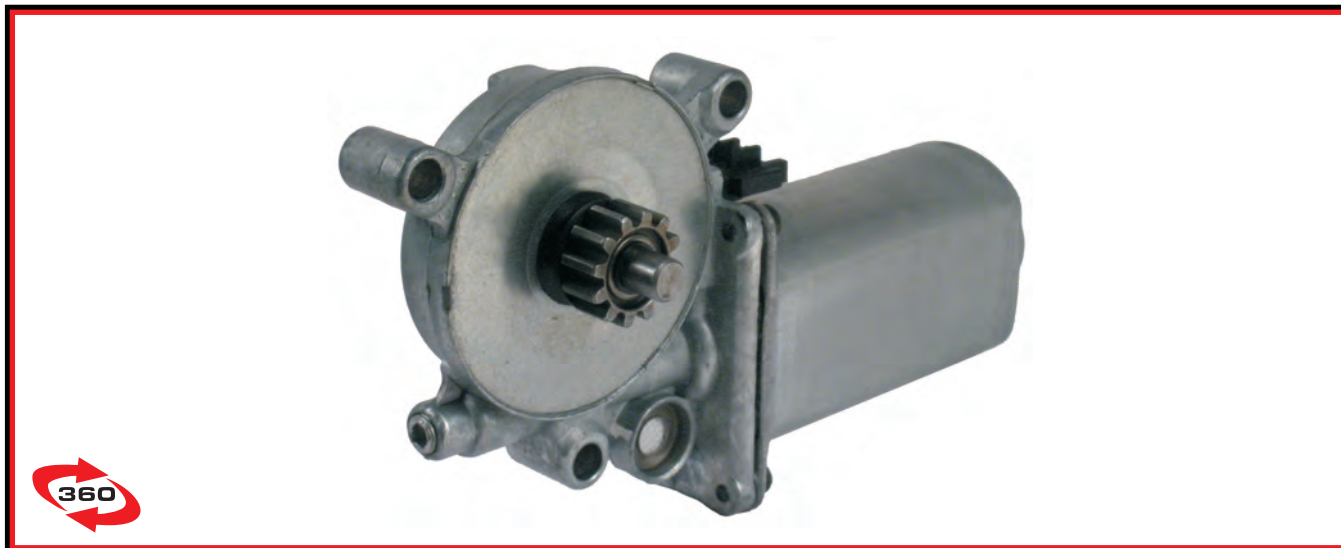
- WLM01 High-Torque Lift Motor



EURAMTEC CORP, 29650 GRAND RIVER AVE., FARMINGTON HILLS, MI 48336  
TEL: 248-473-8660 FAX: 248-473-8662 EMAIL: SALES@EURAMTEC.COM

## High-Torque Lift Motor

Euramtec's WLMO1 Motor is ideal for power window, door-opening, or lifting applications. The WLMO1 was specially developed to produce high torque with minimal noise.



### Specifications:

- Input Voltage: 12VDC
- No Load Current: < 1.5A
- No Load Speed: 75 +/- 5 RPM
- Nominal Current: < 11A
- Nominal Speed: 50 +/- 5 RPM
- Stall Current: < 18A
- Stall Torque: 84 +/- 13.25 in/lbs
- Ambient Noise: < 60dB

### Euramtec Corporation

29650 Grand River Ave.  
Farmington Hills, MI  
48336-5622 U.S.A.

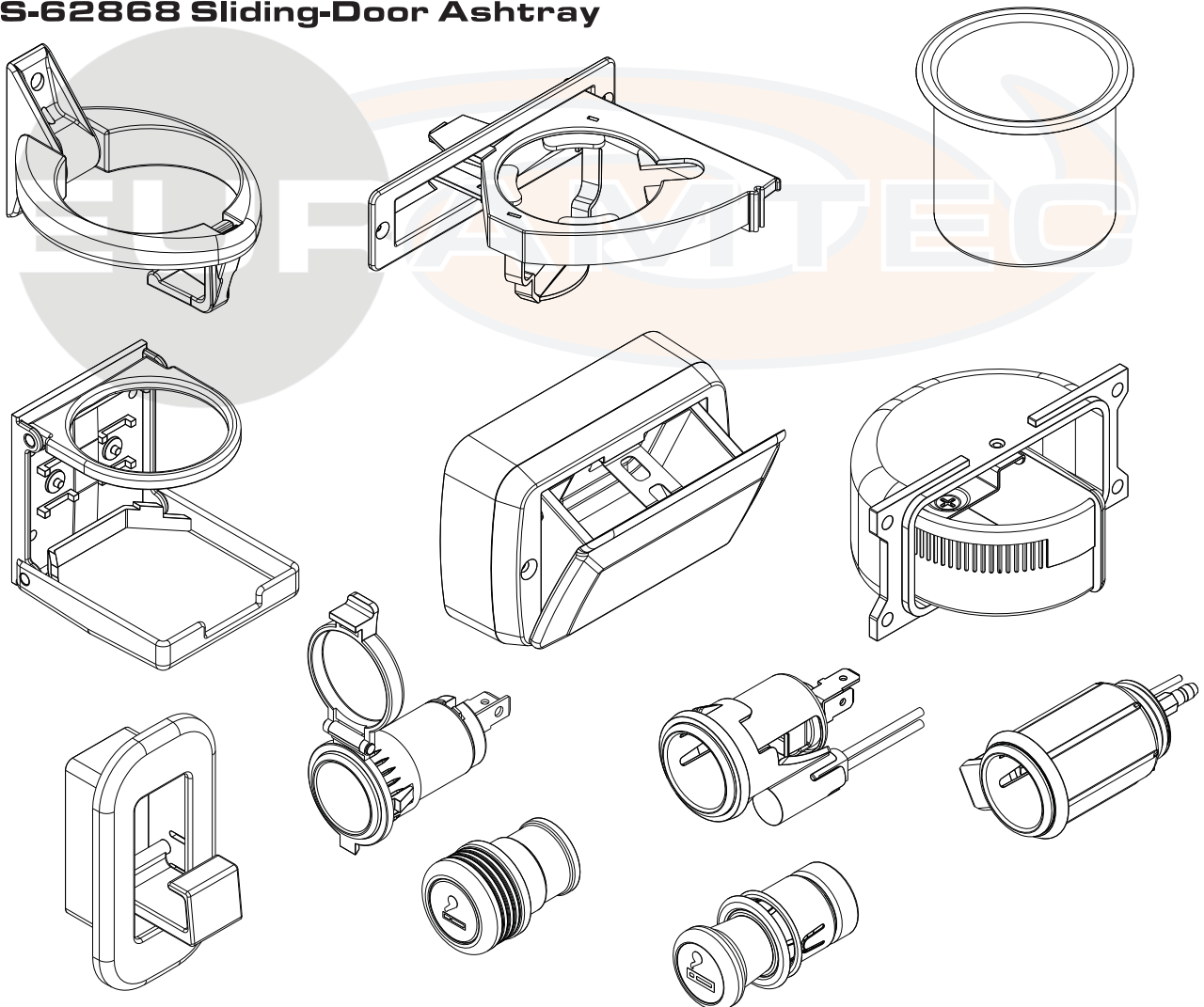
[WWW.EURAMTEC.COM](http://WWW.EURAMTEC.COM)



Tel: (248) 473-8660  
Fax: (248) 473-8662  
sales@euramtec.com

## SECTION K: ACCESSORIES

- S-701 Cup Holder
- S-751 Mug Holder
- S-760 Adjustable-Ring Cup Holder
- S-9807 Swing-Out Cup Holder
- S-9800-01 Drop-In Cup Holder
- S-6052535 Folding Cup Holder
- S-6052295 Ring Cup Holder
- S-601-M Retractable Coat Hook
- S-62818 Coat Hook
- S-6313 Cigarette Lighter
- S-6614A Cigarette Lighter
- S-6613DP DC Power Outlet
- S-800 Series Side-Mount Ashtray
- S-67627 Side-Mount Ashtray
- S-1249 Top-Mount Ashtray
- S-501 Swivel Ashtray
- S-62868 Sliding-Door Ashtray

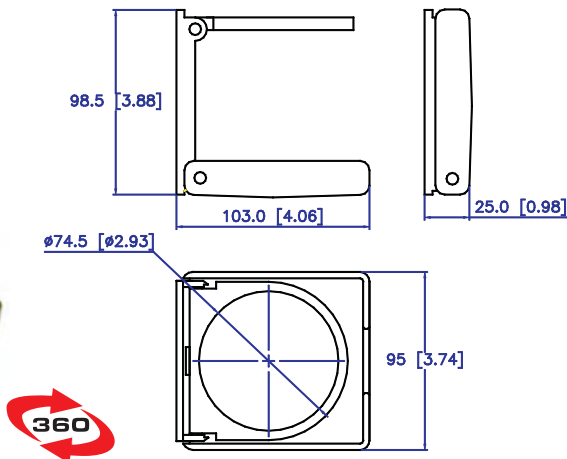


EURAMTEC CORP, 29650 GRAND RIVER AVE., FARMINGTON HILLS, MI 48336  
TEL: 248-473-8660 FAX: 248-473-8662 EMAIL: SALES@EURAMTEC.COM

# Cup Holders

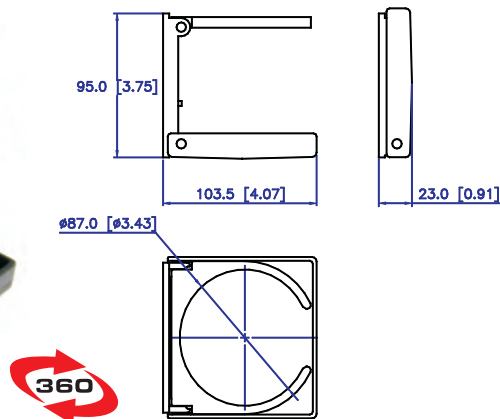
## S-701 Cup Holder

Ideal for holding most standard 12 oz. beverage containers, the 701 cup holder can be surface mounted almost anywhere with no difficulty, and folds neatly out of the way when not in use.



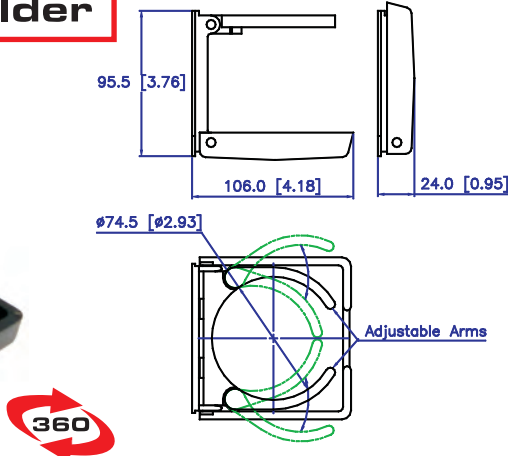
## S-751 Mug Holder

The 751 Mug Holder was specifically designed to hold larger drinking containers that either have handles or cannot normally fit in most other drink holders



## S-760 Adjustable Ring Cup Holder

The adjustable ring cup holder combines the best features of both the 701 and 751 drink holders and is able to handle the largest variety of containers.



**Euramtec Corporation**

29650 Grand River Ave.  
Farmington Hills, MI  
48336-5622 U.S.A.

WWW.EURAMTEC.COM

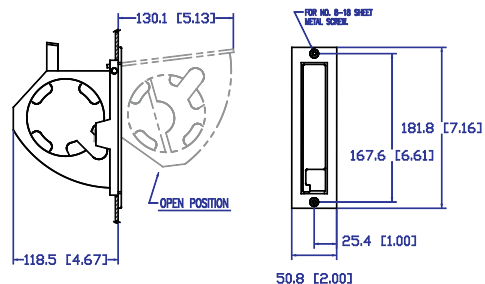


Tel: (248) 473-8660  
Fax: (248) 473-8662  
sales@euramtec.com

## Cup Holders (Cont.)

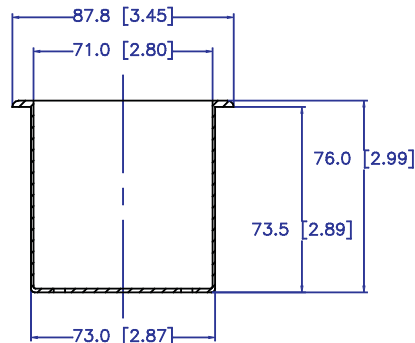
### S-9807 Swing-Out Cup Holder

The 9807 swing-out cup holder can accommodate the largest beverage sizes and is in a recessed format, leaving a flush, unobtrusive finish in the vehicle's interior.



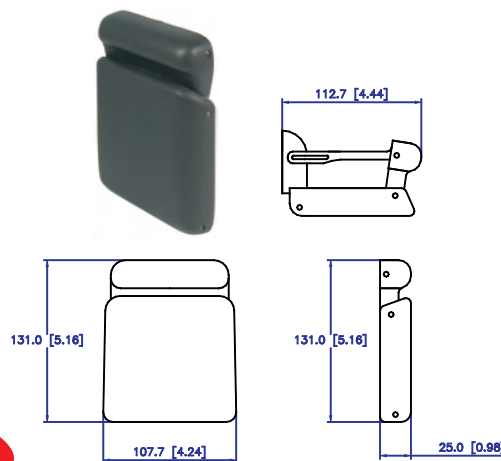
### S-9800 Drop-In Cup Holder

For certain applications, the drop-in cup holder is an excellent alternative to the surface mount models. It can be easily mounted onto any flat surface with an adequate depth clearance.



### S-6052535 Cup Holder

Euramtec's 6052535 Cup Holder is a perfect choice for a durable, reliable, well designed beverage holder. Its unique folding design ensures unmatched strength. Available in black or white color



**Euramtec Corporation**

29650 Grand River Ave.  
Farmington Hills, MI  
48336-5622 U.S.A.

WWW.EURAMTEC.COM



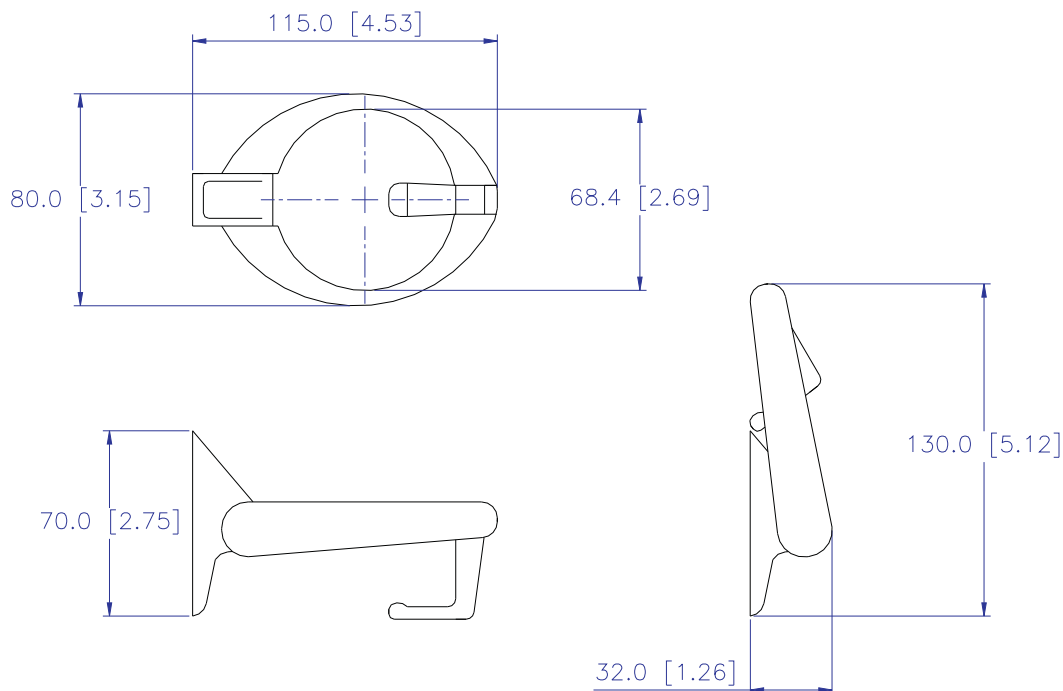
Tel: (248) 473-8660  
Fax: (248) 473-8662  
sales@euramtec.com

## Cup Holders (Cont.)

### S-6052295 Ring Cup Holder



The 6052295 Ring Cup Holder is simple and easy to install and use. It will fit most standard 12 oz. sized beverage containers. Available in black or white color.



### Euramtec Corporation

29650 Grand River Ave.  
Farmington Hills, MI  
48336-5622 U.S.A.

[WWW.EURAMTEC.COM](http://WWW.EURAMTEC.COM)



Tel: (248) 473-8660  
Fax: (248) 473-8662  
[sales@euramtec.com](mailto:sales@euramtec.com)

## Coat Hooks

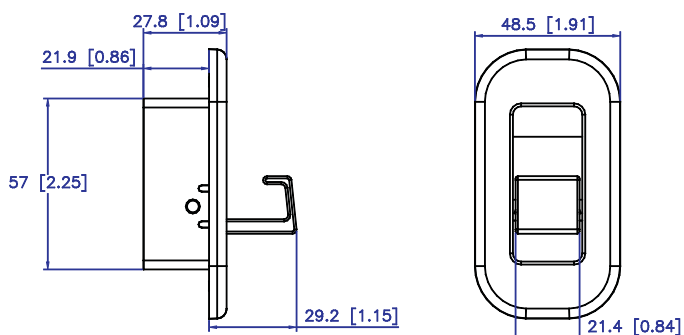
### S-601-M Coat Hook



The Euramtec S-601-M Coat Hook is a convenient addition to any vehicle interior. With its attractive European styling and convenient retractable design, the 601-M Coat Hook is constructed from durable ABS plastic and can accommodate larger-sized plastic hangers.

Installation is simple with two included self-tapping Phillips mounting screws and a cover faceplate to complete the finish.

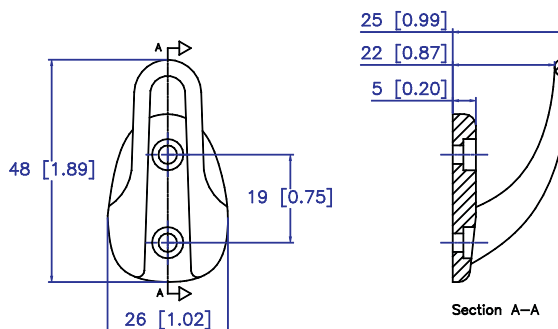
The 601-M conforms to FMVSS 302 Flammability standards, FMVSS 201 Safety Radius standards, and has a recommended maximum load weight of 25lbs.



### S-62818 Coat Hook



The S-62818 Coat Hook is a simple one-piece hook. Made from durable polyamide polymer, it mounts easily with two self tapping screws.



**Euramtec Corporation**

29650 Grand River Ave.  
Farmington Hills, MI  
48336-5622 U.S.A.

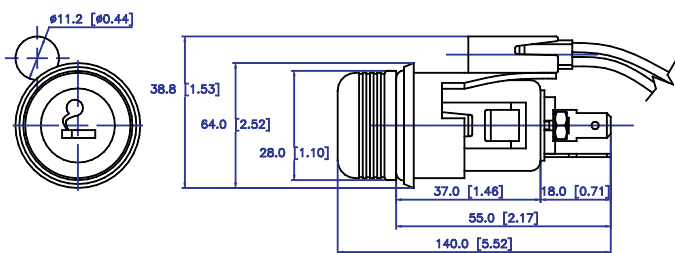
[WWW.EURAMTEC.COM](http://WWW.EURAMTEC.COM)



Tel: (248) 473-8660  
Fax: (248) 473-8662  
sales@euramtec.com

# Cigarette Lighters/DC Power Outlets

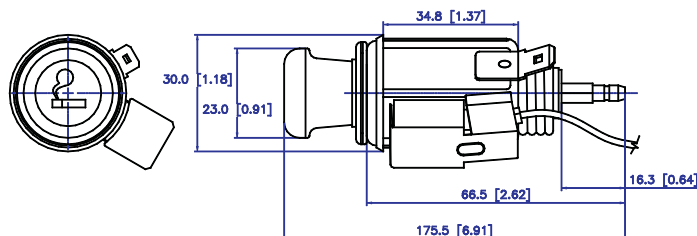
## S-6313 Cigarette Lighter



Voltage: 12VDC  
 Current: 7-10A  
 On-Time: 10-20 sec  
 Features: Illuminated Green Ring w/ Built-In Pigtail



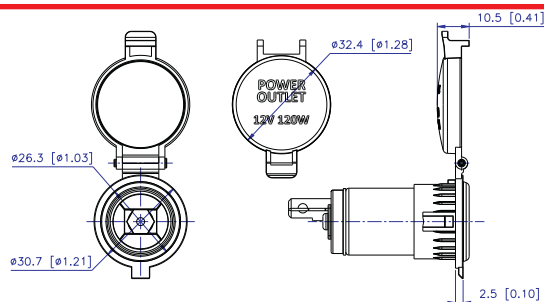
## S-6614A Cigarette Lighter



Voltage: 12VDC  
 Current: 7-10A  
 On-Time: 10-20 sec  
 Features: Illuminated Green Ring, Includes Pigtail



## S-6613R Power Outlet



Voltage: 12VDC  
 Max Current: 15A  
 Features: Attached Safety Cover Cap



**Euramtec Corporation**

29650 Grand River Ave.  
 Farmington Hills, MI  
 48336-5622 U.S.A.

WWW.EURAMTEC.COM

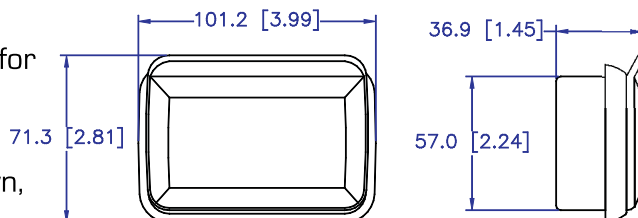


Tel: (248) 473-8660  
 Fax: (248) 473-8662  
 sales@euramtec.com

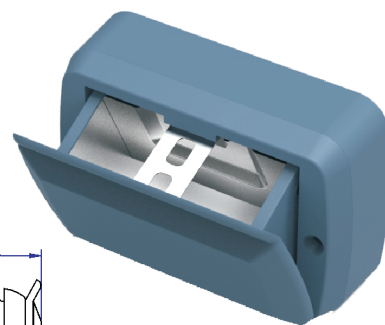
## Ashtrays

### S-800 Series Side-Mount Ashtray

The S-800 Series Side-Mount Ashtray mounts recessed, or on the surface using supplied adapter frame. The receptacle can be conveniently removed for easy cleaning.

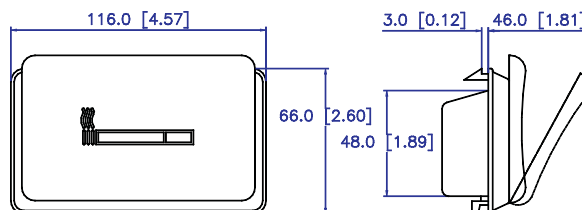


Available in Blue, Brown, Burgundy, and Tan.



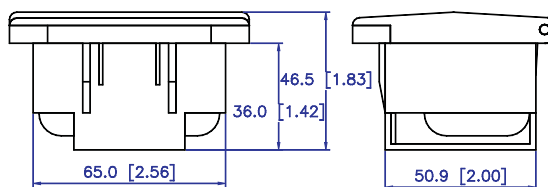
### S-67627 Side-Mount Ashtray

The S-67627 Side-Mount Ashtray features distinct European styling and durable polyamide construction. The receptacle is removable for easy cleaning, and molded mounting clips allow the ashtray to be installed securely without hardware.



### S-1249 Top-Mount Ashtray

The S-1249 is a top-mount ashtray suitable for mounting in tabletops, armrests, or any flat surface. The phenolic ABS receptacle is removable for easy cleaning.



**Euramtec Corporation**

29650 Grand River Ave.  
Farmington Hills, MI  
48336-5622 U.S.A.

WWW.EURAMTEC.COM



Tel: (248) 473-8660  
Fax: (248) 473-8662  
sales@euramtec.com

## Ashtrays (Cont.)

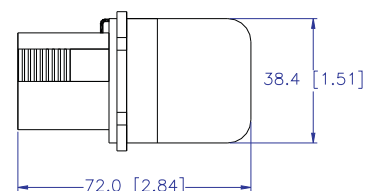
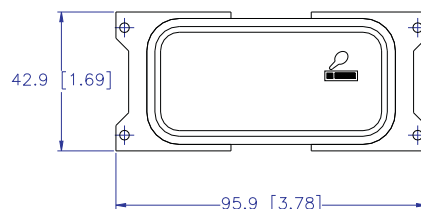
### S-501 Swivel Ashtray



The S-501 Swivel Ashtray is ideal for installation in armrests, center consoles, dash panels, or anywhere a hidden ashtray would be useful. Made from a phenolic ABS plastic, the 501 Ashtray is molded with four mounting points, making installation behind a panel a simple process. The rotating receptacle is removable for easy cleaning.



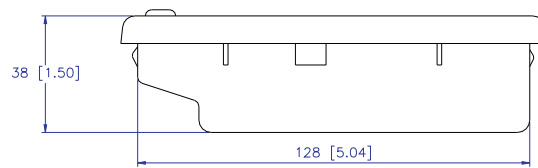
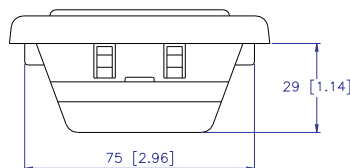
Complies with FMVSS 302 (flammability) and FMVSS 201 (safety radius).



### S-62868 Ashtray



The innovative S-62868 Ashtray is ideal for armrests and center consoles. Molded from a polycarbonate/ABS blend, the 62868 features an oversized receptacle, and a convenient sliding door for when it is not being used. Integrated mounting clips eliminate the need for mounting hardware.



## Euramtec Corporation

29650 Grand River Ave.  
Farmington Hills, MI  
48336-5622 U.S.A.

WWW.EURAMTEC.COM



Tel: (248) 473-8660  
Fax: (248) 473-8662  
sales@euramtec.com

# **APPENDIX INDEX**

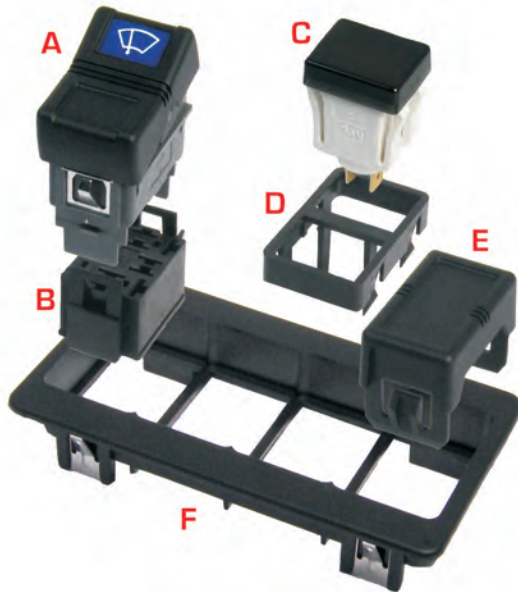
**Appendix A:  
NP Modular Switch System**

**Appendix B:  
NP Indicator Lights**

**Appendix C:  
JK Modular Switch System**



## Appendix A



# MODULAR SWITCH SYSTEM

Items Shown:

- A - Flush Mount Switch
- B - Connector Plug
- C - Indicator Light
- D - Indicator Bezel Insert
- E - Blank Plug
- F - 4-Gang Switch Bezel

The Euramtec Modular Switch System has the flexibility to allow for the mixing and matching of switches and accessories to fit any 12V or 24V application.

The NP heavy duty switches were designed and manufactured to meet the highest standards of durability and reliability required by OEM manufacturers.

The "Snap-In" concept of both the switches and panel mount bezels allow for quick and easy installation.

Lenses for the switches are available in several colors. The graphics can be either selected from the library of pre-existing symbols or custom made to suit the desired function.

Mating connector plugs and terminals are also available as accessories to the modular system.



### Euramtec Corporation

29650 Grand River Ave.  
Farmington Hills, MI  
48336-5622 U.S.A.

[WWW.EURAMTEC.COM](http://WWW.EURAMTEC.COM)



Tel: (248) 473-8660  
Fax: (248) 473-8662  
[sales@euramtec.com](mailto:sales@euramtec.com)

## How to Use The Modular Switch System

### Bezels:

The flush mount switches require the use of a bezel. Decide on the implementation and which bezels best suit your applications.

The indicator light insert can be used to reserve space for indicator lights and the blank plug can be used to set aside positions for future options.

---

### Switches:

Determine the functions needed and select the electrical diagrams that match them. Then indicate the voltage required: 12 or 24 volts.

---

### Connectors:

There is one standard connector plug and terminal for both the switches and indicators. Upon request, these components can be supplied loose, in the form of a 7" pigtail, or as part of a custom wire harness.

---

### Lenses:

Select the colors of the lenses and the symbols needed to identify the functions of the switches. Custom made symbols can be designed upon request. There is a tooling charge associated with the creation of a customized symbol.

A minimum order of 25 lenses is required.

---

### Indicator Lights:

Indicator lights can be combined with the bezels and inserts to create indicator light modules. See Appendix B for more information about the indicator lights.

---

### Other Parts and Accessories:

A rheostat is also available for the Modular Switch System. It can either be placed in the flush mount bezels using the bezel insert or individually panel mounted.

Although not shown, panel mount switches are available for those applications that cannot use a flush mount bezel. These switches are in the same family as the flush mounts and share many of the same features and components.

---

### Questions and Technical Support:

For any questions or concerns about Euramtec's products or their potential applications, please feel free to contact us.

## Euramtec Corporation

29650 Grand River Ave.  
Farmington Hills, MI  
48336-5622 U.S.A.

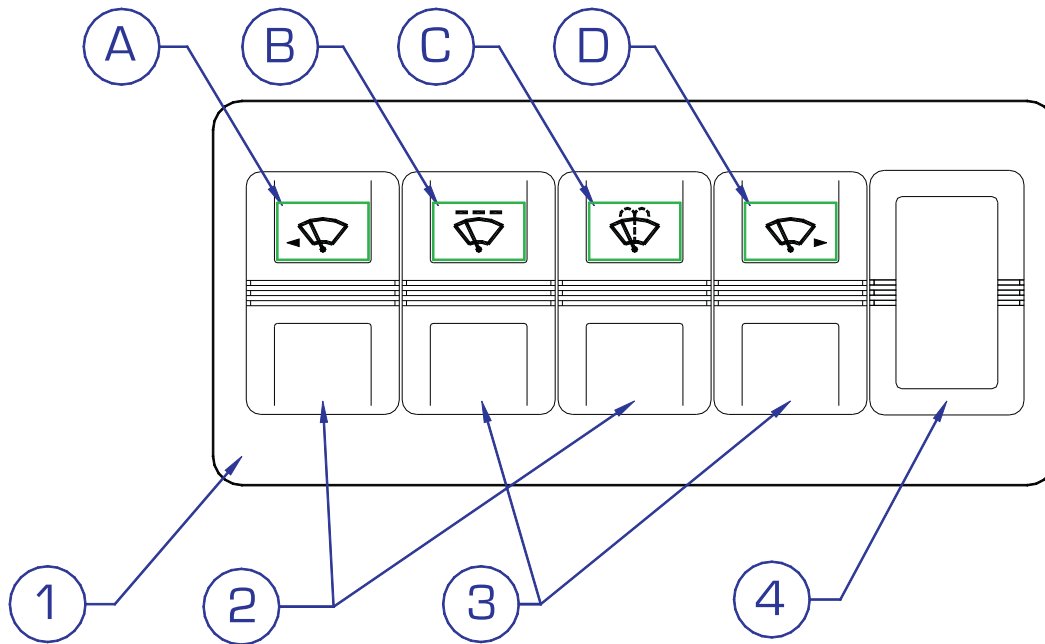
[WWW.EURAMTEC.COM](http://WWW.EURAMTEC.COM)



Tel: (248) 473-8660  
Fax: (248) 473-8662  
[sales@euramtec.com](mailto:sales@euramtec.com)

# How to Use The Modular Switch System: Module Composition, Part 1

Here is an example that will demonstrate how to compose a module using the Modular Switch System.



Sample 12V Windshield Wiper Module Part List

ITEM	QTY.	DESCRIPTION	PART NUMBER
1	1	5 - Gang Flush Mount Bezel	A-822538-4
2	2	Standard NP Flush Mount Switches, Illuminated ON/ON/OFF SPST (Diagram E)	A-4773-12
3	2	Standard NP Flush Mount Switches, Illuminated Momentary ON/OFF SPST (Diagram B)	A-4770-12
4	1	Blank Plug Insert	S-4865
A	1	Green Lens with "Wipe Left" Symbol #705	X-4139, Y-705
B	1	Green Lens with "Intermittent Wipers" Symbol #707	X-4139, Y-707
C	1	Green Lens with "Wash and Wipe" Symbol #712	X-4139, Y-712
D	1	Green Lens with "Wipe Right" Symbol #706	X-4139, Y-706

Optional Accessories:

- 2 A-RT10-4848-03 Connector Pigtails for the 4773 Switches
- 2 A-RT10-4848-06 Connector Pigtails for the 4770 Switches

**Euramtec Corporation**

29650 Grand River Ave.  
Farmington Hills, MI  
48336-5622 U.S.A.

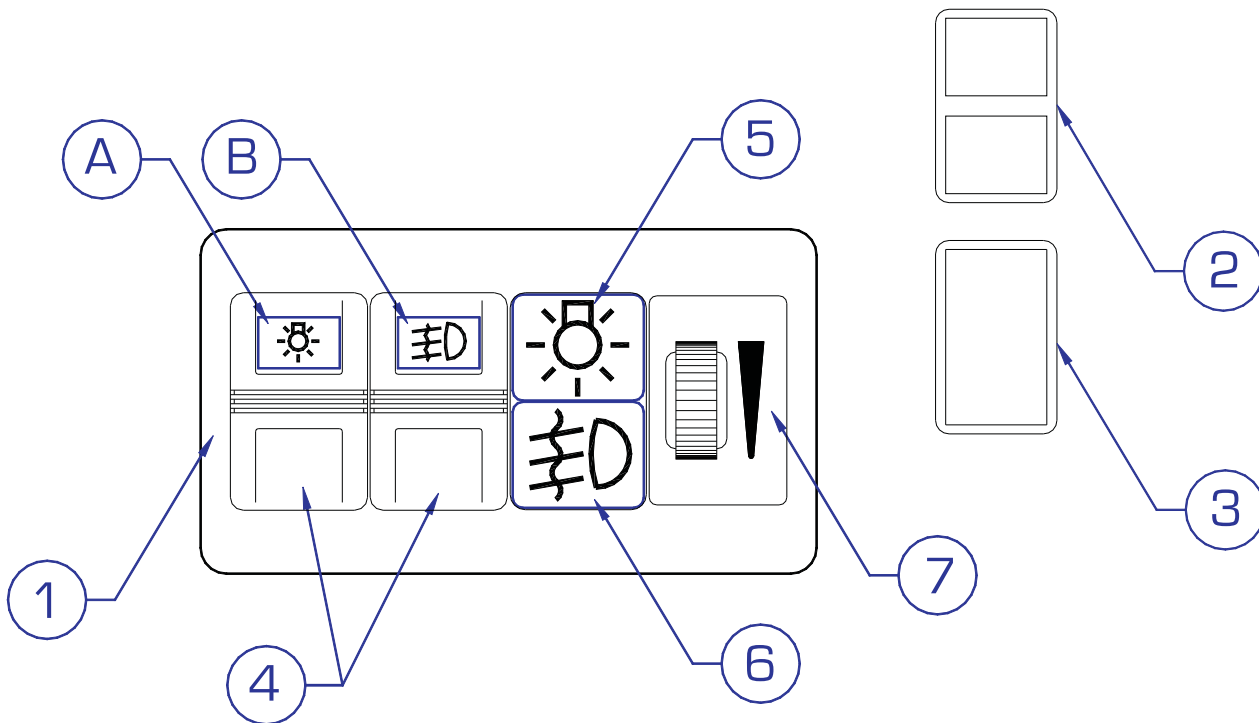
WWW.EURAMTEC.COM



Tel: (248) 473-8660  
Fax: (248) 473-8662  
sales@euramtec.com

## How to Use The Modular Switch System: Module Composition, Part 2

Here is an example that will demonstrate how to compose a module using the Modular Switch System.



Sample 12V Light Control Module Part List			
ITEM	QTY.	DESCRIPTION	PART NUMBER
1	1	4 - Gang Flush Mount Bezel	A-822537-4
2	1	Indicator Light Bezel Insert	S-4866
3	1	Modified Bezel Insert for Rheostat	S-4866-M
4	2	Standard NP Flush Mount Switch, Illuminated ON/OFF SPST (Diagram A)	A-4769-12
A	1	Blue Lens with "Headlight" Symbol # 055	X-4171, Y-055
B	1	Blue Lens with "Fog Light" Symbol #006	X-4171, Y-006
5	1	"Headlight" Indicator Light (Symbol # 158) with Smoked Cap and a Blue Backing Filter	A-23122626-158
6	1	"Fog Light" Indicator Light (Symbol #057) with Smoked Cap and a Blue Backing Filter	A-23122626-057
7	1	Rheostat	S-4613-12

### Optional Accessories:

- 2 A-RT10-4848-02 Connector Pigtails for the 4769 Switches
- 2 ST2-03 Connector Pigtails for the Indicator Lights

**Euramtec Corporation**

29650 Grand River Ave.  
Farmington Hills, MI  
48336-5622 U.S.A.

WWW.EURAMTEC.COM



Tel: (248) 473-8660  
Fax: (248) 473-8662  
sales@euramtec.com

# NP Series Flush Mount Rocker Switch Product Specifications

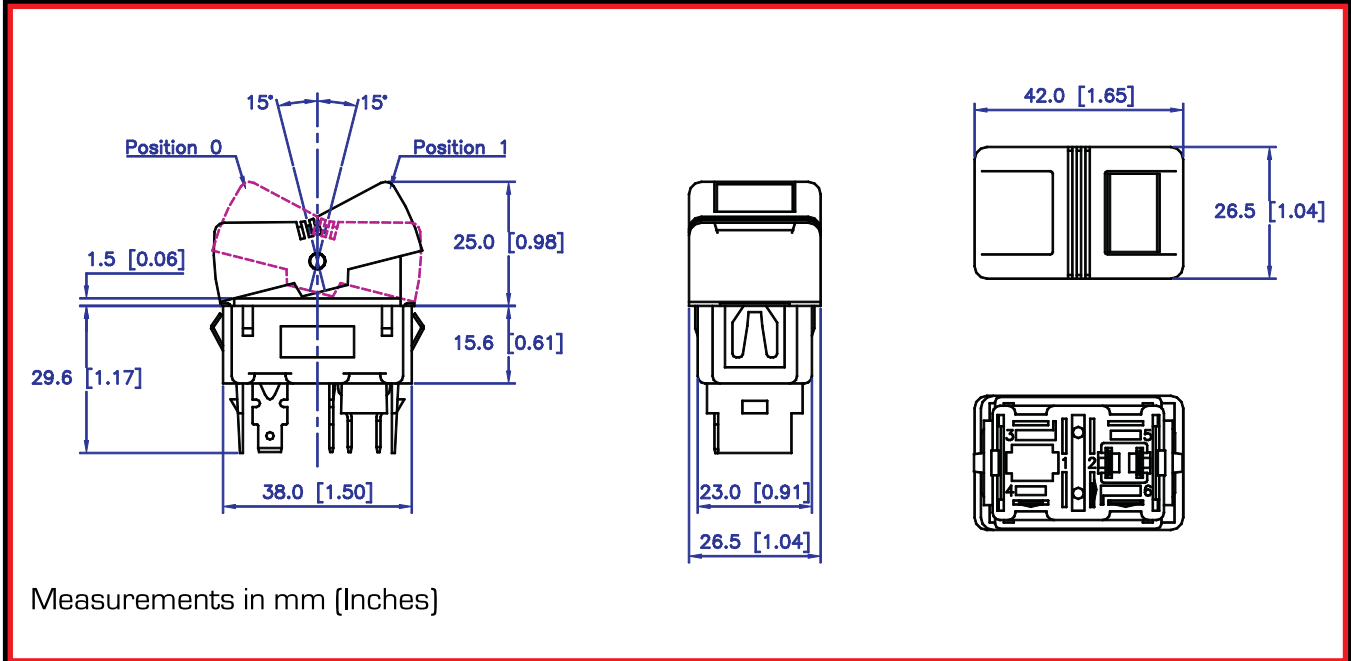
## Features:

The switches are capable of operating at 12 or 24VDC. A variety of unipolar or bipolar electrical diagrams, with out without illumination are available.

## Electrical and Mechanical Characteristics:

Rated Voltages:	12VDC or 24VDC	
Angle of Travel:	1 x 30°, 2 x 15° Momentary or Fixed	
Operational Temperature:	-30° C to +80°C	
Humidity During Operation:	10% to 97% rh	
Voltage Drop of New Unit:	<100 mV	
Voltage Drop after Durability Testing:	<150 mV	
Endurance at Rated Current Load:		
Resistive Loading:	@12V	@24V
	5A 300,000	5A 300,000
	10A 150,000	8A 150,000
	15A 100,000	10A 100,000
	20A 50,000	20A 50,000

Terminal Type: 4.8 x 0.8 Blade Terminals  
 Connector: W-RT10-4848  
 Bulb Type: T-1 3/4, 1.2W, Wedge Base Bulb in 12 or 24V



## Euramtec Corporation

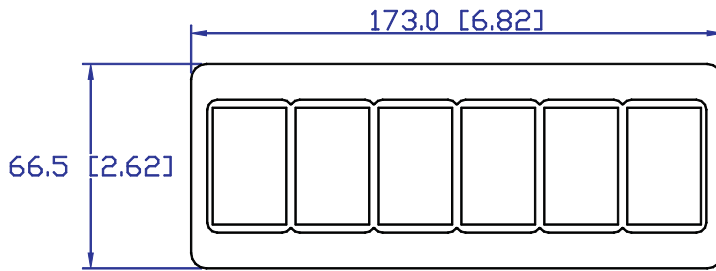
29650 Grand River Ave.  
 Farmington Hills, MI  
 48336-5622 U.S.A.

WWW.EURAMTEC.COM

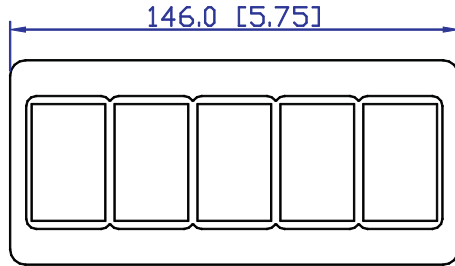


Tel: (248) 473-8660  
 Fax: (248) 473-8662  
 sales@euramtec.com

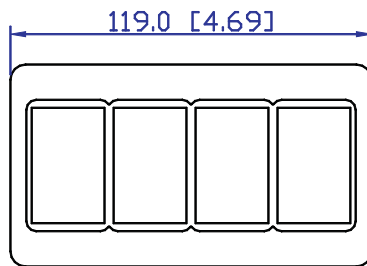
# Flush Mount Switch Bezels and Accessories



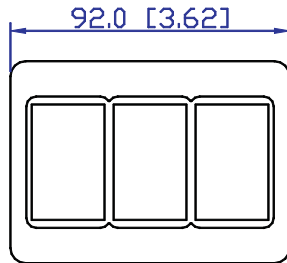
**6 Gang Bezel**  
**P/N 822539-60**  
 Panel Cut Out Dimensions:  
 166mm x 51mm  
 (6.54" x 2.00")  
 Panel Thickness: 5mm (0.2")



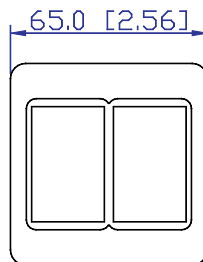
**5 Gang Bezel**  
**P/N 822538-4**  
 Cut Out Dimensions:  
 139mm x 51mm  
 (5.47" x 2.00")



**4 Gang Bezel**  
**P/N 822537-4**  
 Cut Out Dimensions:  
 112mm x 51mm  
 (4.41" x 2.00")

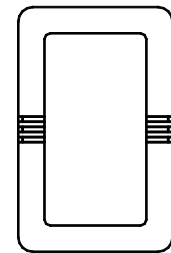


**3 Gang Bezel**  
**P/N 822536-4**  
 Cut Out Dimensions:  
 85mm x 51mm  
 (3.35" x 2.00")

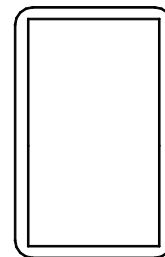


**2 Gang Bezel**  
**P/N 822535-4**  
 Cut Out Dimensions:  
 58mm x 51mm  
 (2.28" x 2.00")

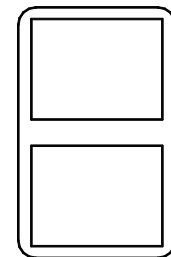
## Optional Bezel Accessories



**Blank Plug Insert**  
**P/N 4865**



**Rheostat Insert**  
**P/N 4866-M**



**Indicator Light Insert**  
**P/N 4866**

## Euramtec Corporation

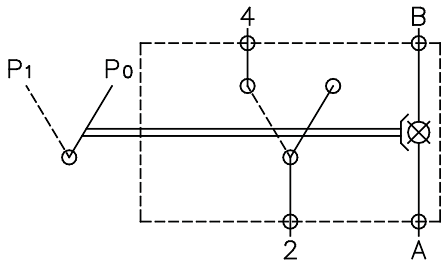
29650 Grand River Ave.  
 Farmington Hills, MI  
 48336-5622 U.S.A.

WWW.EURAMTEC.COM

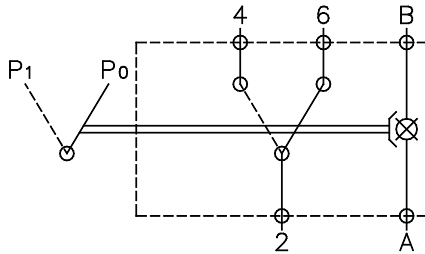


Tel: (248) 473-8660  
 Fax: (248) 473-8662  
 sales@euramtec.com

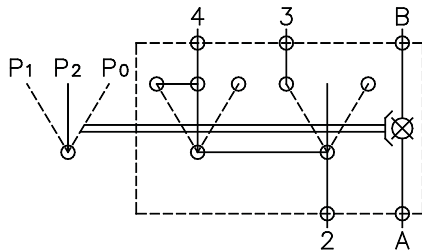
# Electrical Diagrams



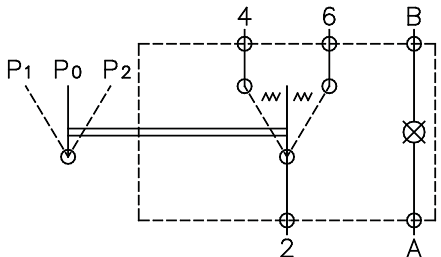
A - ON/OFF SPST



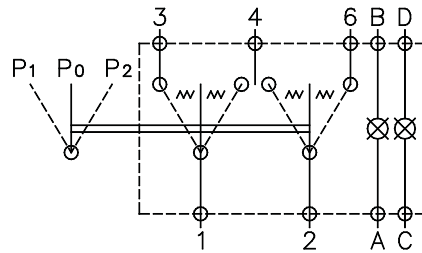
C - ON/ON SPST



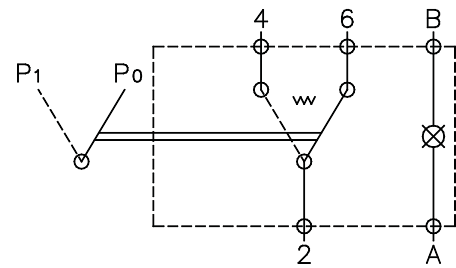
E - ON1/ON2/OFF SPST



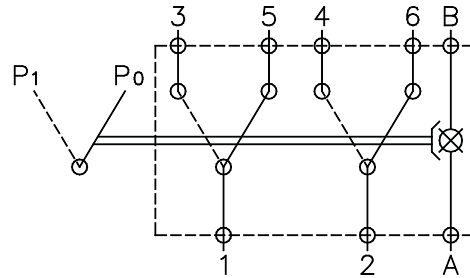
G - MOM ON/OFF/MOM ON SPST



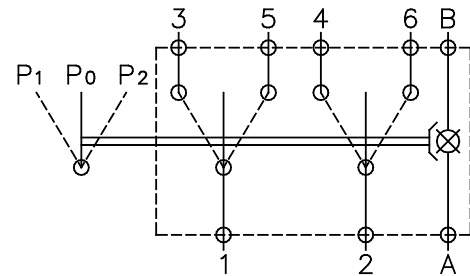
I - MOM ON/OFF/MOM ON DPDT



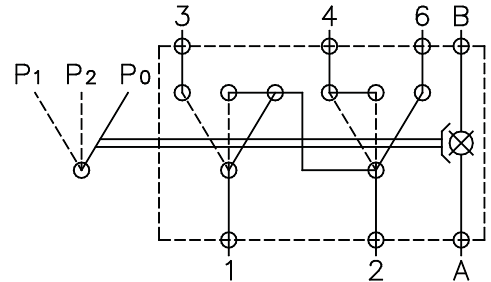
B - MOM ON/OFF SPST



D - ON/ON DPDT



F - ON/OFF/ON DPDT



H - ON1/ON2/HOT PARK SPST

**Euramtec Corporation**

29650 Grand River Ave.  
Farmington Hills, MI  
48336-5622 U.S.A.

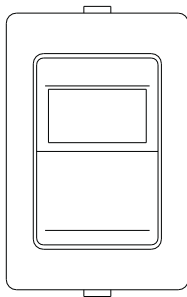
WWW.EURAMTEC.COM



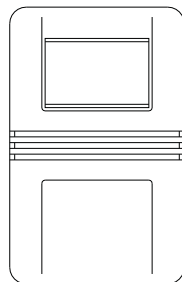
Tel: (248) 473-8660  
Fax: (248) 473-8662  
sales@euramtec.com

## Basic Switch Part Numbers

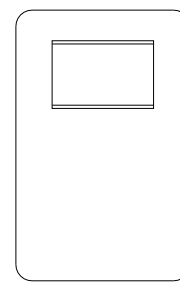
NP Series Switch Conversion Chart				
Switch Functions	Diagram	Standard NP Panel Mount (Fig. #1)	Standard NP Flush Mount (Fig. #2)	NP Flush Mount With Euro Knob (Fig. #3)
ON/OFF SPST	A	4720	4769	3343
M ON/OFF SPST	B	4721	4770	3344
ON/ON SPST	C	4722	4771	3375
ON/ON DPDT	D	4723	4772	3376
ON/ON/OFF SPST	E	4724	4773	3377
ON/OFF/ON DPDT	F	4725	4774	3345
M ON/OFF/M ON SPST	G	4726	4775	3378
ON/ON/HOT PARK SPDT	H	4727	4776	3346
M ON/OFF/M ON DPDT	I	4821	4777	3379
BLANK PLUG	-	3952	4865	3780, 3781



**Figure #1**  
Panel Mount



**Figure #2**  
Flush Mount



**Figure #3**  
Flush Mount

The part numbers listed above refer to the switches without lenses or illumination. See Page A-9 for further details.

Replacement Parts for Illuminated Switches:

Socket for Bulb: W-4224  
12V Bulb: W-85512  
24V Bulb: W-84674

**Euramtec Corporation**

29650 Grand River Ave.  
Farmington Hills, MI  
48336-5622 U.S.A.

[WWW.EURAMTEC.COM](http://WWW.EURAMTEC.COM)



Tel: (248) 473-8660  
Fax: (248) 473-8662  
sales@euramtec.com

# Switch Assembly Part Number Composition

The modular part system for switches consists of a string of 11 numbers divided into 4 segments.

Type of Switch	Voltage	Lens Color	Lens Symbol
XXXX	-XX	XX	XXX

A custom built switch can be easily constructed by following these 4 simple steps:

### Step #1: Type of Switch

Select the type of switch that best suits the application. We have a wide variety of either panel mounted or surface mounted switches to choose from.

Refer to Page A-8 for a chart of part numbers.

### Step #4: Lens Symbol

Select the symbol graphics that represent the switch's function.

Choose one from either our library of symbols or design a customized symbol.

The symbols are printed in white on green, blue, and red lenses and black on the amber lenses.

See page A-11 for further details.

### Step #2: Voltage

No.	Voltage
12	12 Volts
24	24 Volts

Select the voltage required: 12V or 24V. This is primarily used to determine the voltage of the illumination. The switches are designed to operated at either voltage

### Step #3: Lens Color

No.	Color
38	Amber
39	Green
70	Red
71	Blue

Graphics are printed on color lenses. Choose the color of the lens that fits the application.

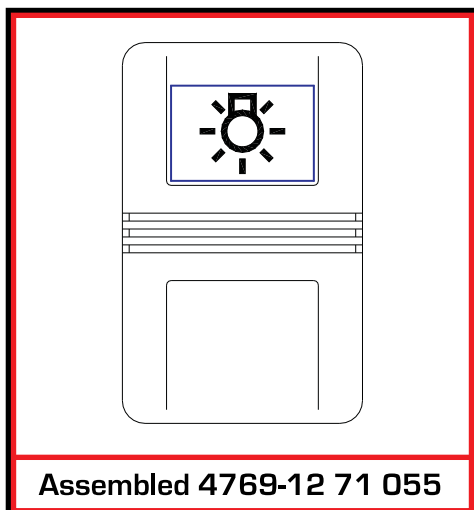
### An example of the modular switch assembly:

A customer wants an ON/OFF, single pole, single throw, flush mount switch to control headlights.

Referring to the switch part number chart, they choose the **4769** switch. They know that the application is 12 volts, which is designated by the number **12**. They want a blue lens, which is designated by the number **71**, with the Headlight graphic on it (lens symbol #**055**). Combining these segments according to the table at the top of the page creates the part number **4769 - 12 71 055**.

They can now order their customized switch using this number.

This part number system primarily applies to orders for individual, fully assembled switches and lenses.



**Euramtec Corporation**

29650 Grand River Ave.  
Farmington Hills, MI  
48336-5622 U.S.A.

WWW.EURAMTEC.COM



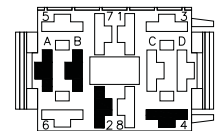
Tel: (248) 473-8660  
Fax: (248) 473-8662  
sales@euramtec.com

# Connectors, Terminals, and Pigtails

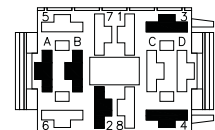
Connectors and terminals are available for the flush mount switches. These standard components will fit the entire line of NP switches. They can come either as part of a 7" pigtail, a custom wire harness, or as individual pieces.

Compatibility Chart	
Pigtail Part Number	Switch Part Number
RT10-4848-02	4769
RT10-4848-03	4773
RT10-4848-04	4776
RT10-4848-05	4772, 4774
RT10-4848-06	4770, 4771, 4775
RT10-4848-07	4777
RT10-4848-08	4777

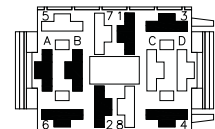
RT10-4848-02



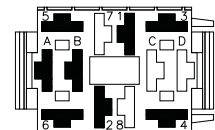
RT10-4848-03



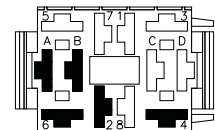
RT10-4848-04



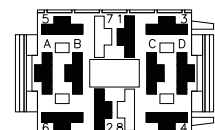
RT10-4848-05



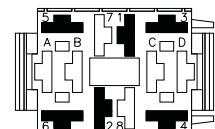
RT10-4848-06



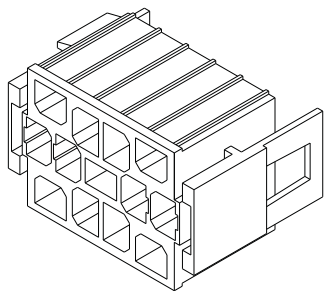
RT10-4848-07



RT10-4848-08



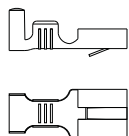
## W-RT10-4848 Connector Plug



The adjacent diagrams show the proper indexing of the wires in the pigtails. The color sequence chart lists the color of wire in each position of the connector.

Pigtail Wire Color Sequence	
Wire Position	Wire Color
1, 2	Red
3	Green
4	Blue
5	Orange
6	Black
A, D	White
B, C	Yellow

## W-823023 Terminal



The slots A, B, C, and D are only used if the switches are illuminated

## Euramtec Corporation

29650 Grand River Ave.  
Farmington Hills, MI  
48336-5622 U.S.A.


















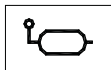












WWW.EURAMTEC.COM



Tel: (248) 473-8660  
Fax: (248) 473-8662  
sales@euramtec.com

# Lens Symbols

## Standard and Custom Graphics for Switch Lenses

001  HAZARD LIGHTS	006  FOG LIGHTS	007 STOP 	011  FRONT WASHER	022  MAP LIGHT	027  FAN	028  FRONT WIPER	033  CLEARANCE LIGHTS	034  HEADLIGHT (HI BEAM)	041  DOCKING LIGHT
055  HEADLIGHTS	097  POWER VENT FAN	137  GENERATOR	140  ELECTRIC DOOR	144  FLUORESCENT LIGHTING	166  HORN	189  BATTERY	190  AIR COMPRESSOR	274  MIRROR DEFROSTER	276  READING LIGHT
278  ROTATORS	279  REAR WIPER	300 GPS 	301 SAT TV  SATELLITE TV	302 VCR 	303 IR CAM  IR CAMERA	304 REAR CAM  REAR CAMERA	305 FOG LIGHTS  FOG LIGHTS	306 HID LIGHTS  HIGH INTENSITY DISCHARGE LIGHTS	307 FRONT FLOODS  FRONT FLOOD LIGHTS

This sheet contains a sample of the lens symbols available. If the graphics needed are not on this list, please contact us for a more comprehensive listing of over 250 symbols.

Custom graphics can be designed upon request.

Lens Dimensions: 16mm x 10mm (0.630" x 0.394")

Color Lenses Available:

Amber: X-4138 (38)  
Green: X-4139 (39)  
Red: X-4170 (70)  
Blue: X-4171 (71)

Lens Composition Example

The "Fan" symbol in white on a green lens will consist of the following part numbers:  
1) X-4139 (P/N of the Lens)  
2) Y-027 (P/N of the Symbol)



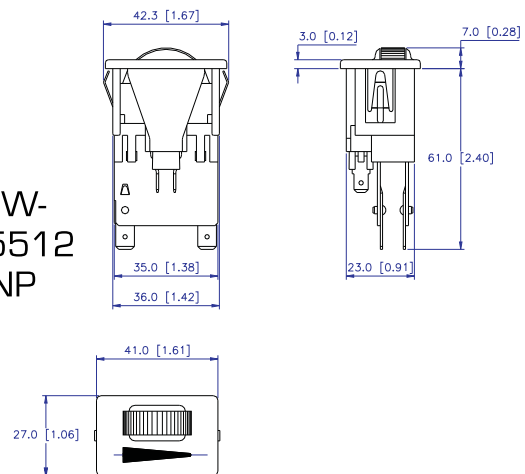
## Rheostats

### 4613 Rheostat Specifications:

Rated Voltages: 12V or 24V  
Total Resistance: 50 Ohm  
Rated Power: 14W  
Incandescent Illumination: Uses the same socket (W-4224) and bulbs (W-85512 and W-84674) as the NP switches.

### Mounting:

The 4613 Rheostat can be either panel mounted or placed in a flush mount bezel. If the rheostat is going to be placed in any of the flush mount bezels a 4866-M Bezel Insert is required.



**Euramtec Corporation**

29650 Grand River Ave.  
Farmington Hills, MI  
48336-5622 U.S.A.

WWW.EURAMTEC.COM

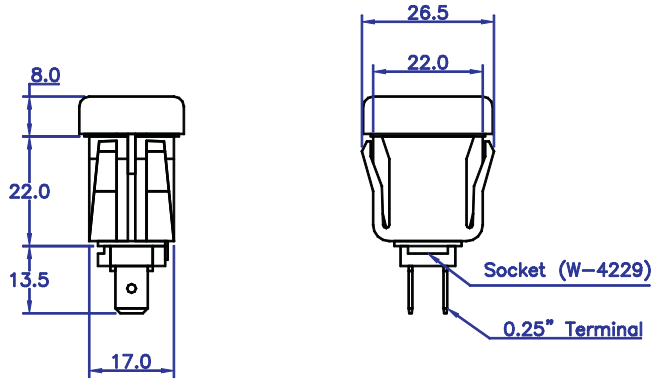


Tel: (248) 473-8660  
Fax: (248) 473-8662  
sales@euramtec.com

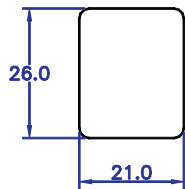
## Appendix B

# Indicator Lights

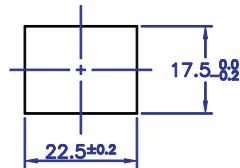
### Deluxe Indicator Light



Top View: Cap

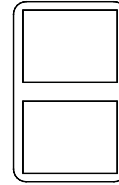


Panel Cut Out



Nominal Panel Thickness: 2.5mm

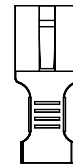
### Accessories



**S-4866**  
Indicator Light  
Bezel Insert



**W-ST2-250**  
Connector



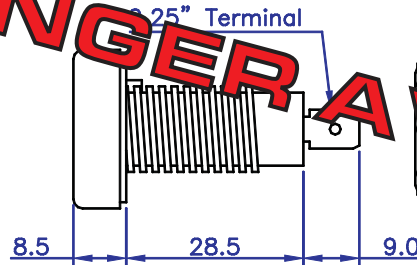
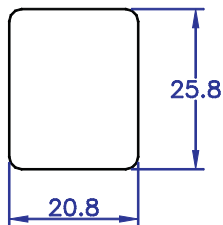
**W-824025**  
Terminal

**Replacement Parts:**

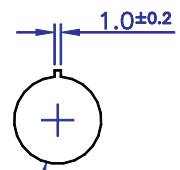
- Socket: W-4229
- 12V Bulb: W-86133
- 24V Bulb: W-822122

### Economy Indicator Light

Top View: Cap



Panel Cut Out



NO LONGER AVAILABLE

## Euramtec Corporation

29650 Grand River Ave.  
Farmington Hills, MI  
48336-5622 U.S.A.

WWW.EURAMTEC.COM



Tel: (248) 473-8660  
Fax: (248) 473-8662  
sales@euramtec.com

# Using The Modular Part System

The modular part system for indicator lights consists of a string of 11 numbers divided into 5 segments

Type of Housing	Voltage	Type & Color of Cap	Color of Filter	Filter Symbol
XX	XX	XX	XX	-XXX

## Step #1: Type of Housing

No.	Type	Shape
23	Deluxe	Square
<b>NO LONGER AVAILABLE</b>		

Select the type of Housing that best suits the application. Both types can be individually panel mounted.

The Deluxe can also be used in the Flush Mount Bezels. The Economy requires the drilling of a mounting hole.

## Step #3: Cap Color

No.	Cap
12	Red
13	Green
14	Amber
26	Smoked

Select the type and color of the cap.

## Step #5: Filter Symbol

Select the symbol graphics that match the indicator light's function. Choose from either a library of the symbols or design a customized symbol. Symbols are only available on clear filters.

See Page B-3 for a sample of the graphics.

## Step #2: Voltage

No.	Voltage
12	12 Volts
24	24 Volts

Select the voltage required.

## Step #4: Filter Color

No.	Filter Color
26	Blue
27	Green
28	Red
29	Amber
30	Clear

Select a color backing filter. A colored backing filter is necessary to achieve the desired lighting effect with the indicator lights. If using a colored cap the filter color should match the color of the cap.

### An example of the modular part system:

The part number, **23 12 26 28 - 042**, is the equivalent to a fully assembled 12 Volt, Deluxe indicator light with a smoked cap, a red backing filter, and a clear filter with the symbol "Stop Engine" printed on it.

## Euramtec Corporation

29650 Grand River Ave.  
Farmington Hills, MI  
48336-5622 U.S.A.

WWW.EURAMTEC.COM



Tel: (248) 473-8660  
Fax: (248) 473-8662  
sales@euramtec.com

# Filter Symbols

## Standard and Custom Graphics for Indicator Lights

11	12	13	16	17	18	20	21	22	23	24	27
BRAKE DIFF PRESS	PARK BRAKE	A / C		E.U.L.	BRAKE		REAR DOOR OPEN	SIDE DOOR OPEN	VENT OPEN	WAIT TO START	
29	30	31	32	33	34	35	36	37	38	40	41
						BRAKE LIGHTS					CRUISE CONTROL
42	43	44	45	46	47	48	49	51	52	53	54
STOP ENGINE		BAJA PRESION AIRE	CONTROL CRUCERO	REVISOR MOTOR	PARO MOTOR	NIVEL ACEITE		MOTOR STOP			AR
55	56	57	58	60	61	62	63	64	65	66	67
AV				ENGINE SHUTDOWN	ENGINE FIRE	ENGINE OVERHEAT	ENGINE OVERRIDE	A/C FAILURE	PARKING BRAKE	CHECK ENGINE	WATER TEMP
68	69	70	71	72	73	74	75	76	77	78	79
OIL PRESSURE	LIFT DEPLOYED	LOW COOLANT	ALT FAILURE	DOOR AJAR	DIFF BRAKE PRESSURE	EMR	DOOR OPEN	DOOR CLOSED	BRAKE INTERLOCK		MOTOR TEMP
80	81	82	83	84	85	86	87	88	89	90	91
DRIVE TEMP	PUMP FAILURE	12 V LOW	BRAKE AIR	ELECTRIC BRAKE	TANK FULL	TANK EMPTY	ABS			REV TRANSM	LAVATORY ALARM
92	93	94	95	96	97	98	99	100	101	102	103
LOW AIR AXLE	NOT CHARGING	HEAT ON	STOP LIGHT	FIRE ALARM	LEFT WIPER	RIGHT WIPER	WINDSHIELD WASHER	A/C HEATER	INSTRUMENT HI - LO	BACKUP LIGHT	ENGINE OVERHEAT
104	106	107	108	109	110	111	112	113	114	115	116
FRENO ELECTRICO	PROTECCION MOTOR	DIAGNOSTICO MOTOR	GUNLOCK MOMENTARY	FORWARD SPOTS	ALLEY RIGHT	ALLEY LEFT	REMOTE MICROPHONE	ROTATORS	REAR FLASH	FRONT FLASH	PRISONER CAGE
117	118	119	120	121	122	123	124	125	127	128	129
MOBILE DATA TERMINAL	VIDEO CAMERA	CHECK TRANSM	LOCK REAR DOOR	SEGURO CAJUEL ABIERTO	HIGH IDLE		BAJA PRESION ARTIC	ALTA PRESION ARTIC		MAXIMO ANGULO	1500 RPM

This sheet contains a sample of the filter symbols available. If the graphics needed are not on this list, please contact us for a more comprehensive listing with over 150 symbols. Custom graphics can be designed upon request.

**Euramtec Corporation**

29650 Grand River Ave.  
Farmington Hills, MI  
48336-5622 U.S.A.

WWW.EURAMTEC.COM

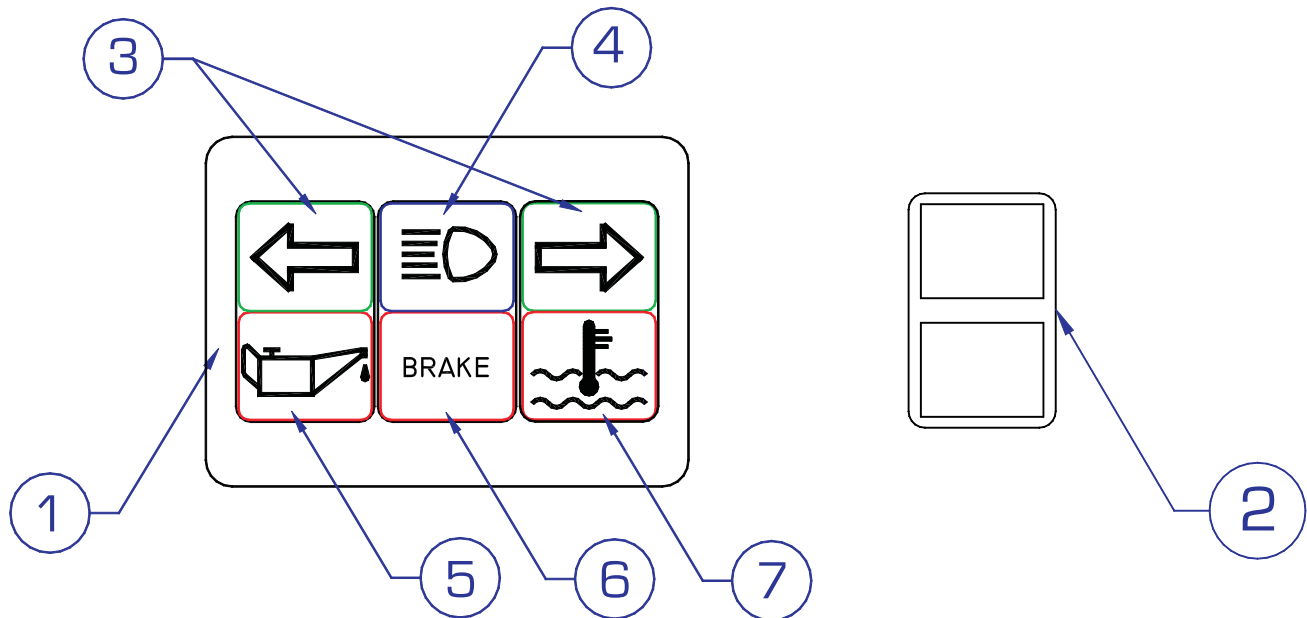


Tel: (248) 473-8660  
Fax: (248) 473-8662  
sales@euramtec.com

# How to use The Modular Indicator System

## Module Composition

This is an example that shows how to combine the various elements of the Modular Indicator System into a single module.



Sample 12V Instrument Panel Indicator Light Module Part List

ITEM	QTY.	DESCRIPTION	PART NUMBER
1	1	3 - Gang Flush Mount Bezel	A-822536-4
2	3	Indicator Light Bezel Insert	S-4866
3	2	"Left & Right Turn" Indicator Lights (Symbol #058) with Smoked Cap and Green Backing Filter	A-23122627-058
4	1	"High Beam" Indicator Light (Symbol #033) with Smoked Cap and Blue Backing Filter	A-23122626-033
5	1	"Low Oil Pressure" Indicator Light (Symbol #004) with Smoked Cap and Red Backing Filter	A-23122628-004
6	1	"Brake" Indicator Light (Symbol #018) with Smoked Cap and Red Backing Filter	A-23122628-018
7	1	"Water Temperature" Indicator Light (Symbol #005) with Smoked Cap and Red Backing Filter	A-23122628-005

Optional Accessories:  
6 ST2-03 Connector Pigtails for Indicator Lights

## Euramtec Corporation

29650 Grand River Ave.  
Farmington Hills, MI  
48336-5622 U.S.A.

WWW.EURAMTEC.COM



Tel: (248) 473-8660  
Fax: (248) 473-8662  
sales@euramtec.com

## Appendix C

### “RODEO” MODULAR SWITCH SYSTEM



#### Items Shown:

- Inside Bezel Unit
- End Bezel Unit (x2)
- Switch JK991 (Left)
- Switch JK931 (Center)
- Indicator Light Mount (Right)

Introducing the newest Euramtec Switch line: The “Rodeo” Modular Switch System. Extremely versatile by design, the “Rodeo” switch system allows the mixing and matching of switches and indicator lights to conform to any application.

Constructed from the highest quality materials, the “Rodeo” switch meets and exceeds the durability and reliability standards required by OEM manufacturers.

Flexible by design, the switches can be tailored to any application, and be installed in a variety of different modules. The “Snap-Together” bezel concept allows for added versatility in applications and expansions of previous installations.

Switch lenses can be provided in a variety of colors and symbols, making the “Rodeo” Modular Switch system the most flexible switch series Euramtec offers to date.



### Euramtec Corporation


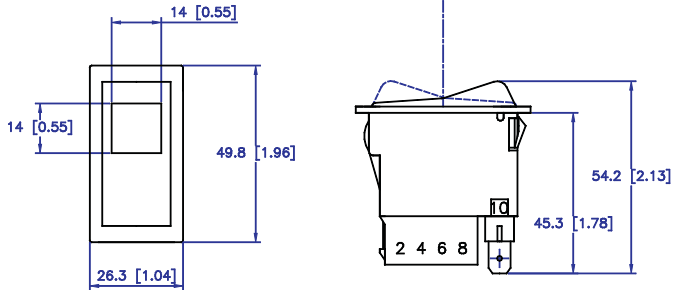

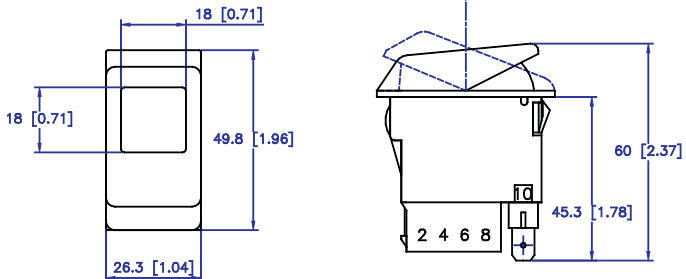

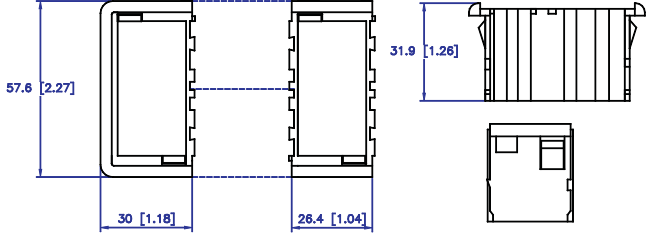
29650 Grand River Ave.  
Farmington Hills, MI  
48336-5622 U.S.A.

[WWW.EURAMTEC.COM](http://WWW.EURAMTEC.COM)



Tel: (248) 473-8660  
Fax: (248) 473-8662  
[sales@euramtec.com](mailto:sales@euramtec.com)

## Details and Specifications of The "Rodeo" Modular Switch System

	JK931	
	JK991	
	BEZELS	

Specifications:

- Colored LED Illumination.
- Lenses available in Blue, Green, Red, or Yellow color.
- Extensive lens graphic catalog. Custom graphics are available upon request (with tooling charge and minimum 100 pcs order).
- Two switch styles to choose from, or to mix and match.
- Connector plug and terminals available to ease in installation.
- Several switch diagrams to choose from, including ON/OFF, ON/OFF/ON, and Momentary ON/OFF, etc.
- Blank plug inserts also available for planned expansion options.

For more information, please contact a Euramtec Corp. Sales Representative.

### Euramtec Corporation

29650 Grand River Ave.  
Farmington Hills, MI  
48336-5622 U.S.A.

[WWW.EURAMTEC.COM](http://WWW.EURAMTEC.COM)



Tel: (248) 473-8660  
Fax: (248) 473-8662  
sales@euramtec.com

## How to Use The "Rodeo" Switch System

### Switches:

Determine the functions needed and select the electrical diagrams that match them.

---

### Bezels:

The "Rodeo" switch bezel employs an interlocking "Snap-together" design which adds to the versatility of the overall modular design. Two end bezels are required in a module, and any number of interior bezels can be added to complete the module. No clips or mounting devices are required and the switches lock securely into the bezel brackets with no tooling.

---

### Indicator Lights:

Choose color of the lens, and the symbol to show indicator's function. The lights can be combined with the bezels and inserts to create indicator light modules.

---

### Lenses:

Select the color of the lenses, and the symbols needed to identify the function of the switches. Custom made symbols can be designed upon request. There is a tooling charge associated with the creation of a customized symbol, and a minimum order of 100 lenses is required.

---

### Connectors:

There is one standard connector plug and terminal for both the switches and indicator lights.

---

### Questions and Technical Support:

For any questions or concerns about Euramtec's products or their potential applications, please feel free to contact us or visit our website at [www.euramtec.com](http://www.euramtec.com).

### Euramtec Corporation

29650 Grand River Ave.  
Farmington Hills, MI  
48336-5622 U.S.A.

[WWW.EURAMTEC.COM](http://WWW.EURAMTEC.COM)

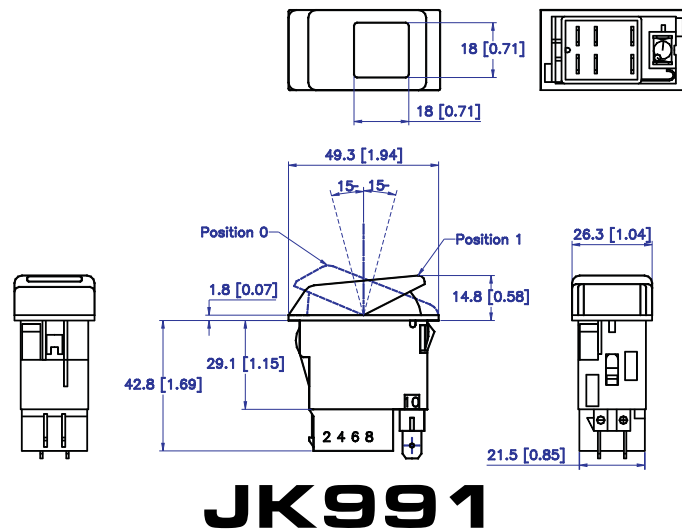


Tel: (248) 473-8660  
Fax: (248) 473-8662  
[sales@euramtec.com](mailto:sales@euramtec.com)

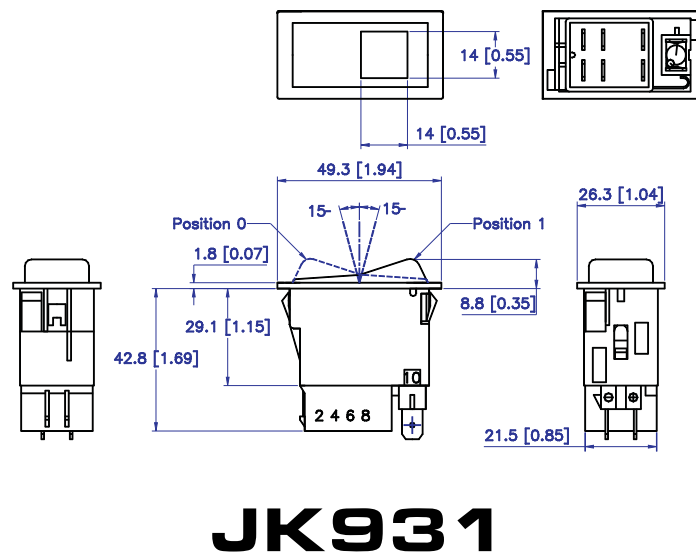
## JK Series Flush Mount Rocker Switch Product Specifications

### Features:

The switches are capable of operating at 12 or 24VDC.  
Several electrical diagrams are available.



Terminal Type: 6.35mm [1/4"] blade terminals  
Connector: W-JK-ST8-00  
Optional Mating Terminals: W-ST-4004-IT



**Euramtec Corporation**

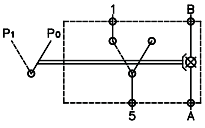
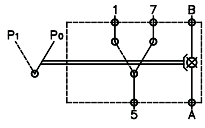
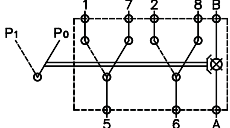
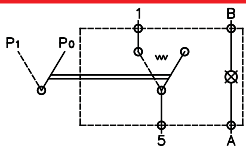
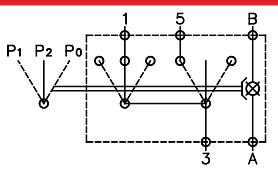
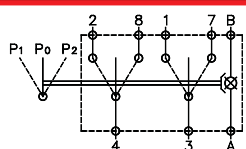
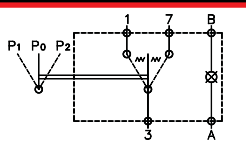
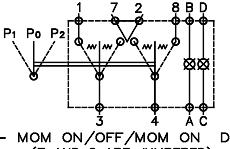
29650 Grand River Ave.  
Farmington Hills, MI  
48336-5622 U.S.A.

[WWW.EURAMTEC.COM](http://WWW.EURAMTEC.COM)



Tel: (248) 473-8660  
Fax: (248) 473-8662  
[sales@euramtec.com](mailto:sales@euramtec.com)

# Electrical Diagrams

Function	Diagram	Switch Number
<b>ON/OFF (SPST)</b>	 <p>A - ON/OFF SPST</p>	<b>W-JK931-105/5</b> <b>W-JK991-105/5</b>
<b>ON/ON (SPST)</b>	 <p>C - ON/ON SPST</p>	
<b>ON/OFF (DPDT)</b>	 <p>D - ON/ON DPDT</p>	
<b>MOM ON/OFF (SPST)</b>	 <p>B - MOM ON/OFF SPST</p>	<b>W-JK931-007/1</b> <b>W-JK991-007/1</b>
<b>ON/ON/OFF (SPST)</b>	 <p>E - ON<sub>1</sub>/ON<sub>2</sub>/OFF SPST</p>	<b>W-JK931-026/10</b> <b>W-JK991-026/10</b>
<b>ON/OFF/ON (DPDT)</b>	 <p>F - ON/OFF/ON DPDT</p>	<b>W-JK931-050/18</b> <b>W-JK991-050/18</b>
<b>MOM ON/OFF/ MOM ON (SPST)</b>	 <p>G - MOM ON/OFF/MOM ON SPST</p>	<b>W-JK931-055/18</b> <b>W-JK991-055/18</b>
<b>MOM ON/OFF/ MOM ON (DPDT)</b>	 <p>I - MOM ON/OFF/MOM ON DPDT (7 AND 2 ARE JUMPERED)</p>	

**Euramtec Corporation**

29650 Grand River Ave.  
Farmington Hills, MI  
48336-5622 U.S.A.

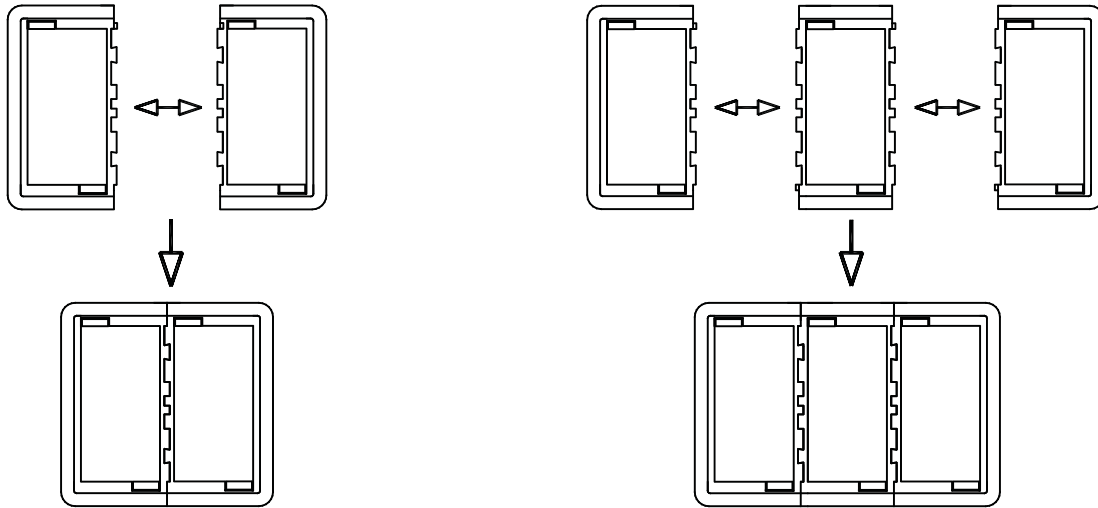
[WWW.EURAMTEC.COM](http://WWW.EURAMTEC.COM)



Tel: (248) 473-8660  
Fax: (248) 473-8662  
sales@euramtec.com

# How To Use The Modular Switch System: Module Composition

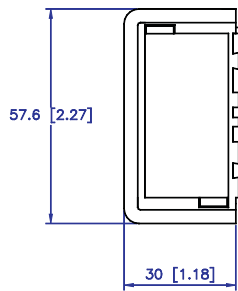
Here are examples that will demonstrate how to compose modules using the Modular Bezel System.



## Bezels and Accessories

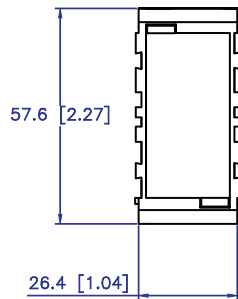
**End Modular Bezel  
P/N S-JKB01**

Panel Cut Out Dimensions:  
44mm x 22.5mm  
Panel Thickness: 5.5mm

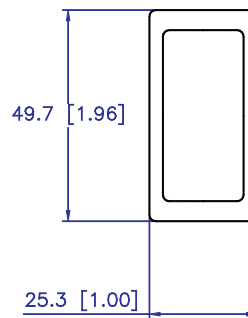


**Intermediary Modular Bezel  
P/N S-JKB02**

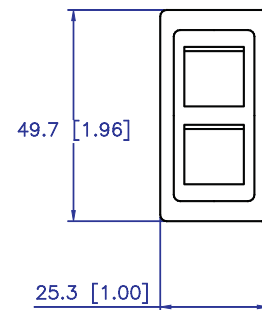
Panel Cut Out Dimensions:  
44mm x 22.5mm  
Panel Thickness: 5.5mm



**Blank Plug Insert  
P/N S-JK-4865**



**Indicator Light Insert  
P/N W-JK-4866**



**Euramtec Corporation**

29650 Grand River Ave.  
Farmington Hills, MI  
48336-5622 U.S.A.

WWW.EURAMTEC.COM



Tel: (248) 473-8660  
Fax: (248) 473-8662  
sales@euramtec.com

# How To Use The Modular Switch System: Indicator Lights

The modular part system for indicator lights consists of a string of 6 numbers divided into 3 segments. (x2)

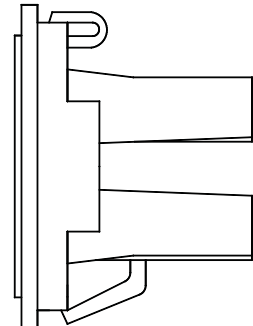
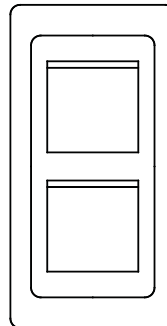
Level of Lens	Color of Lens and LED	Lens Symbol
X	XX	-XXX

## Step #1: Level of Lens

Select the correct level of where you wish the lens to be placed. Level 1 for the top or level 2 for the bottom. To place a lens in both levels, separate the part numbers by a slash. (1XX-XXX / 2XX-XXX)

Level 1

Level 2



## Step #2: Lens and LED Color

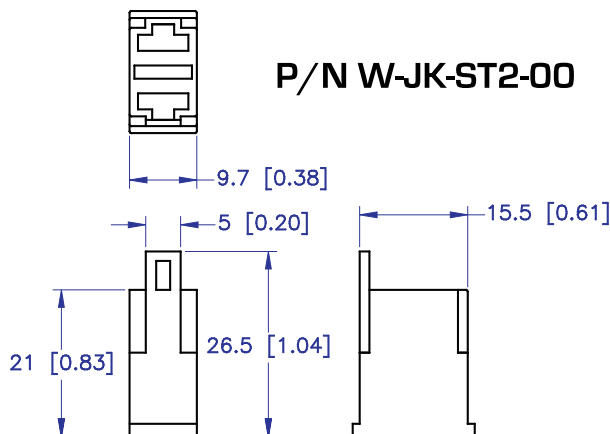
Color Code	Color
GR	Green
BL	Blue
RD	Red
YW	Yellow

Select the color of the lens and LED you wish to use. For example, to receive a red lens and a red LED use the color code RD. Lenses and LEDs of the same color are used together for the best indicator light visibility.

## Step #3: Lens Symbol

Select the symbol graphics that match the indicator light's function. Choose from either a library of symbols or design a custom symbol.

P/N W-JK-ST2-00



An example of the modular part system:

The part number **1GR-022 / 2GR-021**, is equivalent to a fully assembled LED, indicator light with a green Low-Beam lens on top, and a green High-Beam lens on the bottom.

**Euramtec Corporation**















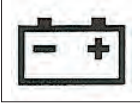





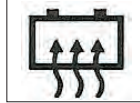
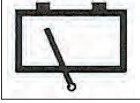
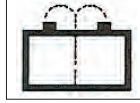




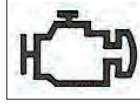



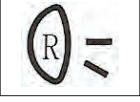




















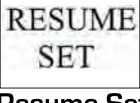

29650 Grand River Ave.  
Farmington Hills, MI  
48336-5622 U.S.A.

WWW.EURAMTEC.COM



Tel: (248) 473-8660  
Fax: (248) 473-8662  
sales@euramtec.com

## "Rodeo" Master Lens List

<b>021</b>  High-Beams	<b>022</b>  Low-Beams	<b>024</b>  Emergency	<b>025</b>  Wiper	<b>026</b>  Washer	<b>027</b>  Wiper Washer	<b>028</b>  Ventilating Fan
<b>029</b>  Parking	<b>041</b>  Passenger Door	<b>043</b>  Door Open	<b>044</b>  Left-Turn	<b>045</b>  Right-Turn	<b>213</b>  Horn	<b>215</b>  Coolant-Temp
<b>216</b>  Battery Charger	<b>217</b>  Oil Pressure	<b>218</b>  Safety Belt	<b>221</b>  Front Fog Lamp	<b>223</b>  Master Lighting Switch	<b>224</b>  Windshield Defroster	<b>225</b>  Rear Window Defogger
<b>228</b>  Rear Window Wiper	<b>229</b>  Rear Window Washer	<b>230</b>  Rear Window Wiper Washer	<b>231</b>  Brake Failure	<b>232</b>  Parking Brake	<b>233</b>  Aisle Lamp	<b>236</b>  Engine Start
<b>238</b>  Air Conditioning	<b>247</b>  Door Switch Alarm	<b>250</b>  Oil Temperature	<b>252</b>  Back-Up Lamp	<b>412</b>  Buzzer	<b>418</b>  Fan-High	<b>420</b>  HAZARD Hazard Warning
<b>421</b>  Notice	<b>422</b>  Engine Oil	<b>423</b>  A/C Air-Conditioner	<b>486</b>  Driving Light	<b>488</b>  Reading Light	<b>491</b>  Dome Light	<b>495</b>  Lumber-Plate Lamp
<b>626</b>  Reflector Defroster	<b>634</b>  Auxiliary Lubricant	<b>635</b>  Instrument Lamp	<b>654</b>  TV Television	<b>813</b>  ABS	<b>818</b>  ASR	<b>887</b>  START Start
<b>919</b>  STOP Stop	<b>925</b>  CHECK TRANS Check Trans	<b>926</b>  MANUAL MODE Manual Mode	<b>941</b>  RESUME SET Resume Set	<b>960</b>  Heater Mirror		

**Euramtec Corporation**



29650 Grand River Ave.  
Farmington Hills, MI  
48336-5622 U.S.A.

[WWW.EURAMTEC.COM](http://WWW.EURAMTEC.COM)

Tel: (248) 473-8660  
Fax: (248) 473-8662  
sales@euramtec.com



29650 GRAND RIVER AVE.  
FARMINGTON HILLS, MI 48336  
TEL: 248-473-8660  
FAX: 248-473-8662  
EMAIL: [sales@euramtec.com](mailto:sales@euramtec.com)  
WEB: [www.euramtec.com](http://www.euramtec.com)