

Appendix C

RODEO MODULAR SWITCH SYSTEM



Items Shown:

- Inside Bezel Unit
- End Bezel Unit (x2)
- Switch JK991 (Left)
- Switch JK931 (Center)
- Indicator Light Mount (Right)

Introducing the newest Euramtec Switch line: The "Rodeo" Modular Switch System. Extremely versatile by design, the "Rodeo" switch system allows the mixing and matching of switches and indicator lights to conform to any application.

Constructed from the highest quality materials, the "Rodeo" switch meets and exceeds the durability and reliability standards required by OEM manufacturers.

Flexible by design, the switches can be tailored to any application, and be installed in a variety of different modules. The "Snap-Together" bezel concept allows for added versatility in applications and expansions of previous installations.

Switch lenses can be provided in a variety of colors and symbols, making the "Rodeo" Modular Switch system the most flexible switch series Euramtec offers to date.



Euramtec Corporation


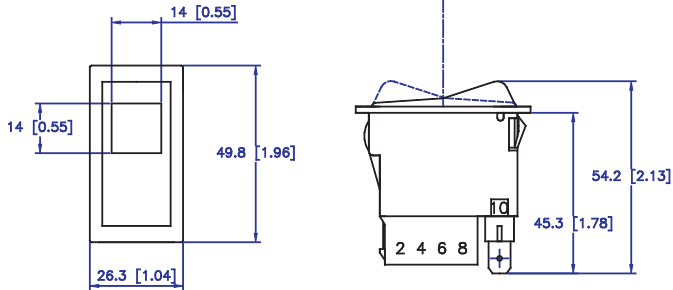

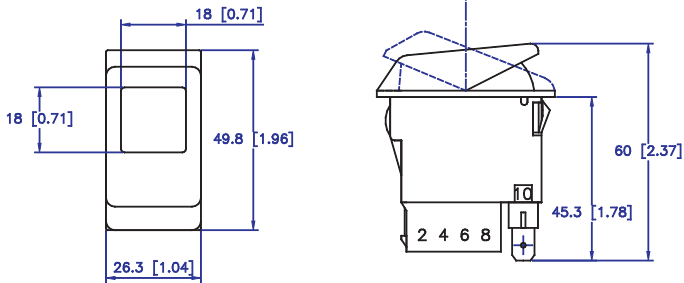

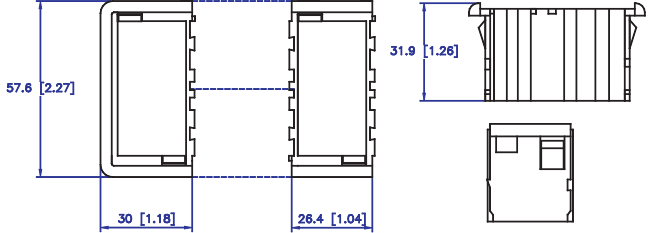
29650 Grand River Ave.
Farmington Hills, MI
48336-5622 U.S.A.

WWW.EURAMTEC.COM



Tel: (248) 473-8660
Fax: (248) 473-8662
sales@euramtec.com

Details and Specifications of The Rodeo Modular Switch System

	JK931	
	JK991	
	BEZELS	

Specifications:

- Colored LED Illumination.
- Lenses available in Blue, Green, Red, or Yellow color.
- Extensive lens graphic catalog. Custom graphics are available upon request (with tooling charge and minimum 100 pcs order).
- Two switch styles to choose from, or to mix and match.
- Connector plug and terminals available to ease in installation.
- Several switch diagrams to choose from, including ON/OFF, ON/OFF/ON, and Momentary ON/OFF, etc.
- Blank plug inserts also available for planned expansion options.

For more information, please contact a Euramtec Corp. Sales Representative.

Euramtec Corporation

29650 Grand River Ave.
Farmington Hills, MI
48336-5622 U.S.A.

WWW.EURAMTEC.COM



Tel: (248) 473-8660
Fax: (248) 473-8662
sales@euramtec.com

How to Use The Rodeo Switch System

Switches:

Determine the functions needed and select the electrical diagrams that match them.

Bezels:

The "Rodeo" switch bezel employs an interlocking "Snap-together" design which adds to the versatility of the overall modular design. Two end bezels are required in a module, and any number of interior bezels can be added to complete the module. No clips or mounting devices are required and the switches lock securely into the bezel brackets with no tooling.

Indicator Lights:

Choose color of the lens, and the symbol to show indicator's function. The lights can be combined with the bezels and inserts to create indicator light modules.

Lenses:

Select the color of the lenses, and the symbols needed to identify the function of the switches. Custom made symbols can be designed upon request. There is a tooling charge associated with the creation of a customized symbol, and a minimum order of 100 lenses is required.

Connectors:

There is one standard connector plug and terminal for both the switches and indicator lights.

Questions and Technical Support:

For any questions or concerns about Euramtec's products or their potential applications, please feel free to contact us or visit our website at www.euramtec.com.

Euramtec Corporation

29650 Grand River Ave.
Farmington Hills, MI
48336-5622 U.S.A.

WWW.EURAMTEC.COM

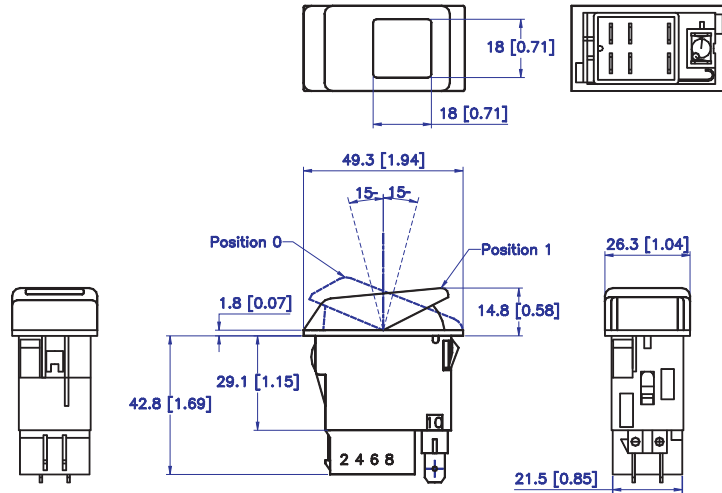


Tel: (248) 473-8660
Fax: (248) 473-8662
sales@euramtec.com

JK Series Flush Mount Rocker Switch Product Specifications

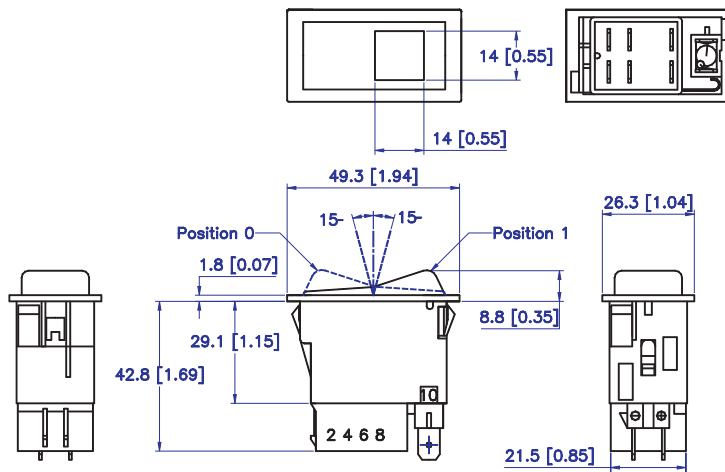
Features:

The switches are capable of operating at 12 or 24VDC.
 Several electrical diagrams are available.



JK991

Terminal Type: 6.35mm (1/4") blade terminals
 Connector: W-JK-ST8-00
 Optional Mating Terminals: W-ST-4004-IT



JK931

Euramtec Corporation

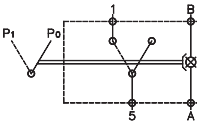
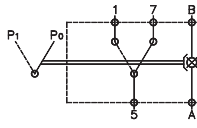
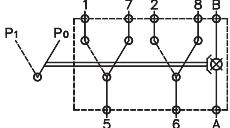
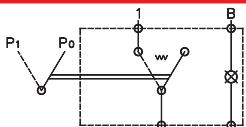
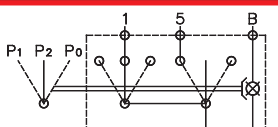
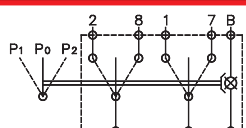
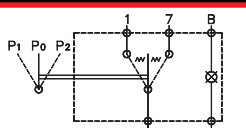
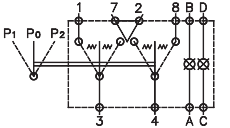
29650 Grand River Ave.
 Farmington Hills, MI
 48336-5622 U.S.A.

WWW.EURAMTEC.COM



Tel: (248) 473-8660
 Fax: (248) 473-8662
 sales@euramtec.com

Electrical Diagrams

Function	Diagram	Switch Number
ON/OFF (SPST)	 A - ON/OFF SPST	W-JK931-105/5 W-JK991-105/5
ON/ON (SPST)	 C - ON/ON SPST	
ON/OFF (DPDT)	 D - ON/ON DPDT	
MOM ON/OFF (SPST)	 B - MOM ON/OFF SPST	W-JK931-007/1 W-JK991-007/1
ON/ON/OFF (SPST)	 E - ON1/ON2/OFF SPST	W-JK931-026/10 W-JK991-026/10
ON/OFF/ON (DPDT)	 F - ON/OFF/ON DPDT	W-JK931-050/18 W-JK991-050/18
MOM ON/OFF/ MOM ON (SPST)	 G - MOM ON/OFF/MOM ON SPST	W-JK931-055/18 W-JK991-055/18
MOM ON/OFF/ MOM ON (DPDT)	 I - MOM ON/OFF/MOM ON DPDT (7 AND 2 ARE JUMPERED)	

Euramtec Corporation

29650 Grand River Ave.
Farmington Hills, MI
48336-5622 U.S.A.

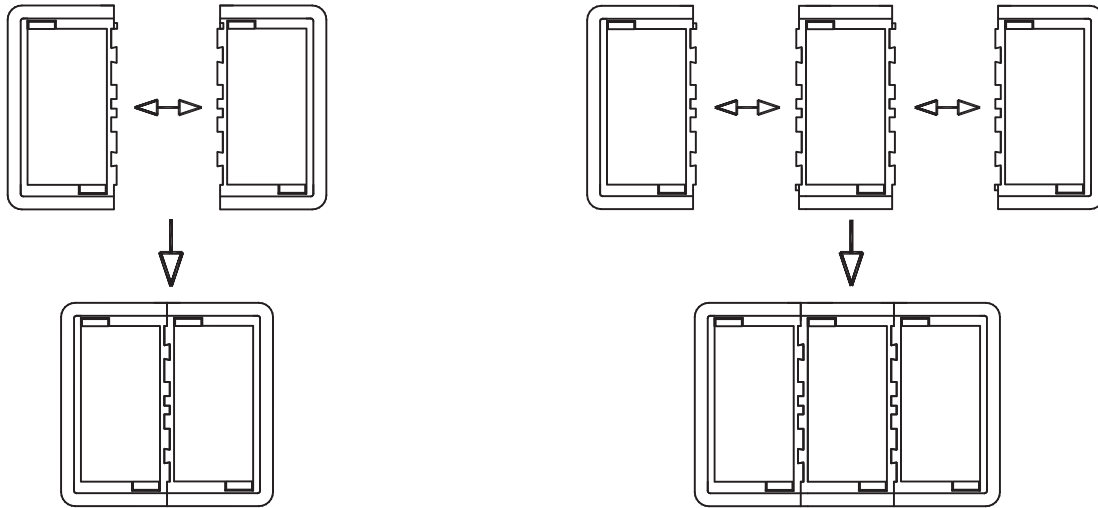
WWW.EURAMTEC.COM



Tel: (248) 473-8660
Fax: (248) 473-8662
sales@euramtec.com

How To Use The Modular Switch System: Module Composition

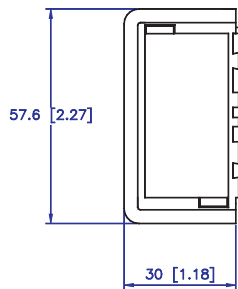
Here are examples that will demonstrate how to compose modules using the Modular Bezel System.



Bezels and Accessories

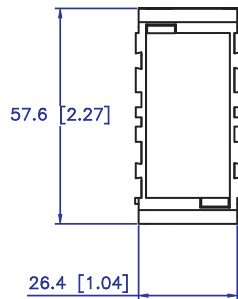
**End Modular Bezel
P/N S-JKB01**

Panel Cut Out Dimensions:
44mm x 22.5mm
Panel Thickness: 5.5mm

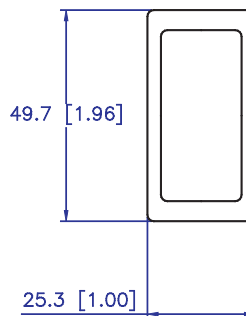


**Intermediary Modular Bezel
P/N S-JKB02**

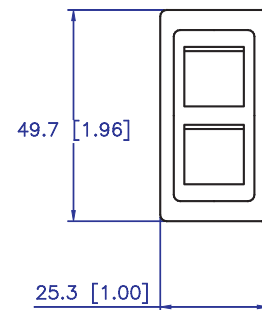
Panel Cut Out Dimensions:
44mm x 22.5mm
Panel Thickness: 5.5mm



**Blank Plug Insert
P/N S-JK-4865**



**Indicator Light Insert
P/N W-JK-4866**



Euramtec Corporation

29650 Grand River Ave.
Farmington Hills, MI
48336-5622 U.S.A.

WWW.EURAMTEC.COM



Tel: (248) 473-8660
Fax: (248) 473-8662
sales@euramtec.com

How To Use The Modular Switch System: Indicator Lights

The modular part system for indicator lights consists of a string of 6 numbers divided into 3 segments. (x2)

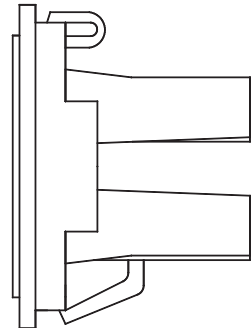
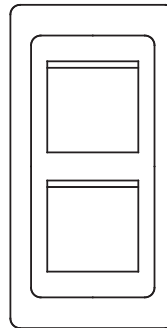
Level of Lens	Color of Lens and LED	Lens Symbol
X	XX	-XXX

Step #1: Level of Lens

Select the correct level of where you wish the lens to be placed. Level 1 for the top or level 2 for the bottom. To place a lens in both levels, separate the part numbers by a slash. (1XX-XXX / 2XX-XXX)

Level 1

Level 2



Step #2: Lens and LED Color

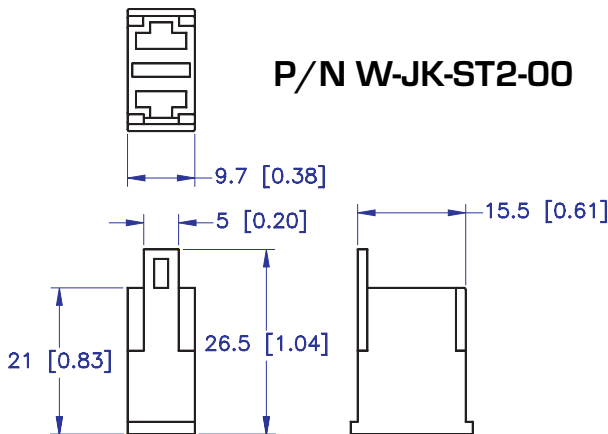
Color Code	Color
GR	Green
BL	Blue
RD	Red
YW	Yellow

Select the color of the lens and LED you wish to use. For example, to receive a red lens and a red LED use the color code RD. Lenses and LEDs of the same color are used together for the best indicator light visibility.

Step #3: Lens Symbol

Select the symbol graphics that match the indicator light's function. Choose from either a library of symbols or design a custom symbol.

P/N W-JK-ST2-00



An example of the modular part system:

The part number **1GR-022 / 2GR-021**, is equivalent to a fully assembled LED, indicator light with a green Low-Beam lens on top, and a green High-Beam lens on the bottom.

Euramtec Corporation

29650 Grand River Ave.
Farmington Hills, MI
48336-5622 U.S.A.

WWW.EURAMTEC.COM



Tel: (248) 473-8660
Fax: (248) 473-8662
sales@euramtec.com

Rodeo Master Lens List

021



High-Beams

022



Low-Beams

024



Emergency

025



Wiper

026



Washer

027



Wiper Washer

028



Ventilating Fan

029



Parking

041



Passenger Door

043



Door Open

044



Left-Turn

045



Right-Turn

213



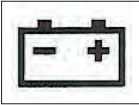
Horn

215



Coolant-Temp

216



Battery Charger

217



Oil Pressure

218



Safety Belt

221



Front Fog Lamp

223



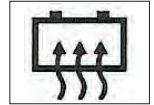
Master Lighting
Switch

224



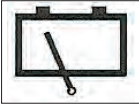
Windshield
Defroster

225



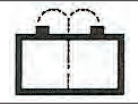
Rear Window
Defogger

228



Rear Window
Wiper

229



Rear Window
Washer

230



Rear Window
Wiper Washer

231



Brake Failure

232



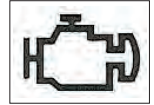
Parking Brake

233



Aisle Lamp

236



Engine Start

238



Air Conditioning

247



Door Switch
Alarm

250



Oil Temperature

252



Back-Up Lamp

412



Buzzer

418



Fan-High

420



HAZARD
Hazard
Warning

421



Notice

422



Engine Oil

423



Air-Conditioner

486



Driving Light

488



Reading Light

491



Dome Light

495



Lumber-Plate
Lamp

626



Reflector
Defroster

634



Auxiliary
Lubricant

635



Instrument
Lamp

654



Television

813



ABS

818



ASR

887



Start



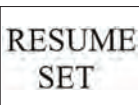
Stop



Check Trans



Manual Mode



Resume Set



Heater Mirror

Euramtec Corporation



29650 Grand River Ave.
Farmington Hills, MI
48336-5622 U.S.A.

WWW.EURAMTEC.COM

Tel: (248) 473-8660
Fax: (248) 473-8662
sales@euramtec.com