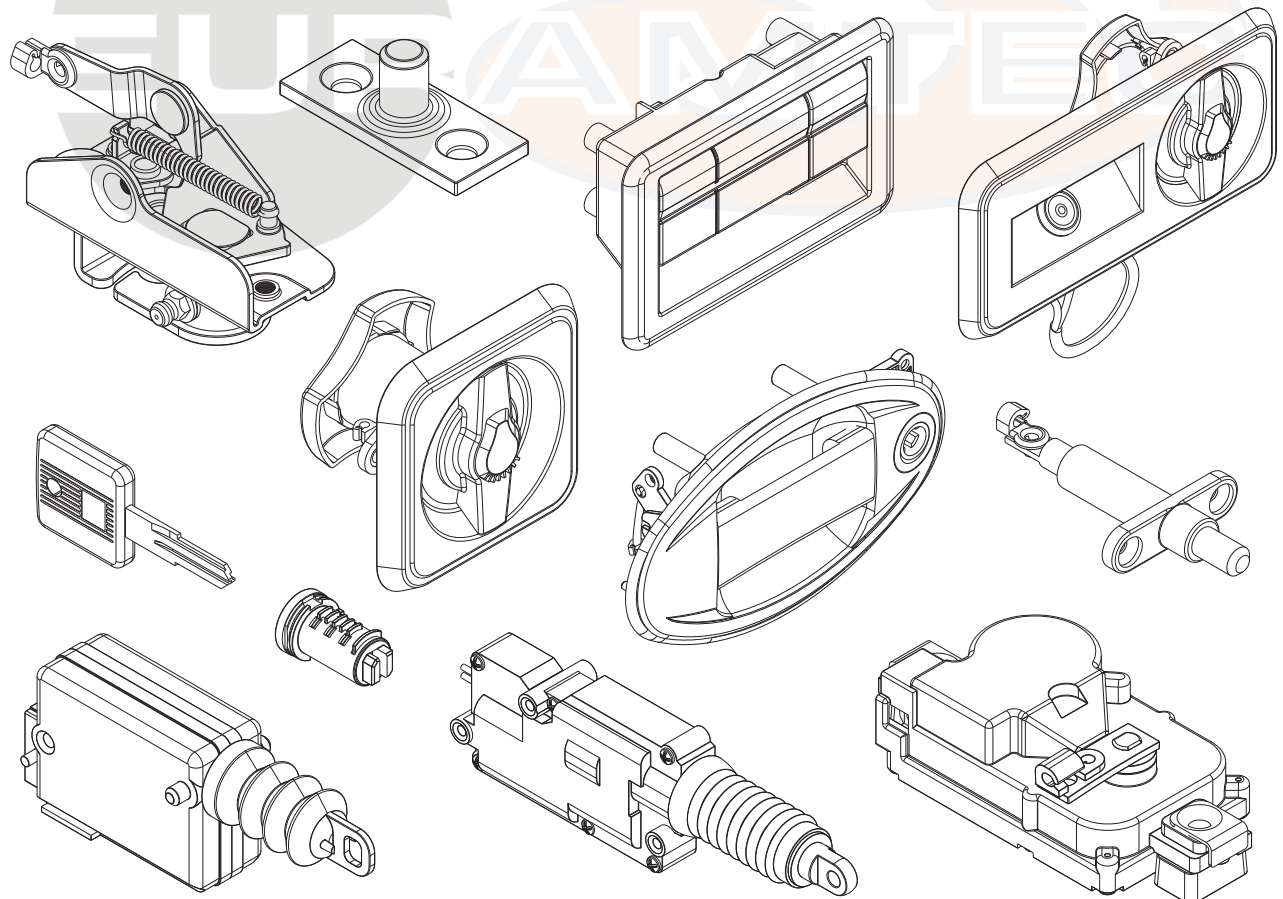


SECTION F: DOOR HANDLES/LOCKS

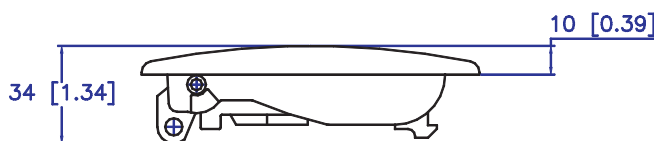
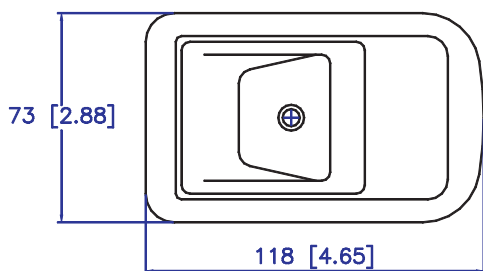
- S-68138 Interior Door Handle
- S-62178 Emergency Handle
- S-67777 Locking Handle
- S-21009.95 Locking Door Handle
- P.119 Locking Handle
- P.397 Locking Handle
- P.230 Electronic Door Handle
- S-ACT-024N-PTC1 Light-Duty Actuator
- S-ACT-035N Actuator
- S-ACT-045N Door Lock Actuator
- S-ACT-050N-LH/RH Door Latch Actuator
- S-35W Centralized Locking Module
- P.70 Forked Lock
- P.70bis Control Pin
- S-56521 Control Pin
- S-67967 Locking Pin
- P.94/S-65437 Rod Clip
- P.474 J.O.K. Lock/Key Set
- S-65639 Lock Stator
- S-67009 Latch Plate
- S-65631 Lock Guard



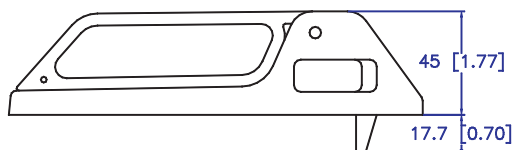
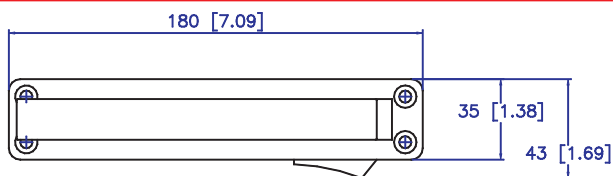
EURAMTEC CORP, 29650 GRAND RIVER AVE., FARMINGTON HILLS, MI 48336
TEL: 248-473-8660 FAX: 248-473-8662 EMAIL: SALES@EURAMTEC.COM

Interior Door Handles

The 68138 Door Handle is the ideal choice for any interior or exterior door application. Constructed from durable PA6 plastic, the 68138 is also UV-resistant so it is protected from the elements. Locking hardware and latches are also available for a complete installation.



The 62178 Emergency Handle is for use with emergency egress doors. Made from sturdy polyamide, the handle grip is molded in bright red color for easy visibility. Once pulled, the handle locks in place to prevent accidental re-latching. The base of the handle features a hole for a break-away wire seal.



Euramtec Corporation

29650 Grand River Ave.
Farmington Hills, MI
48336-5622 U.S.A.

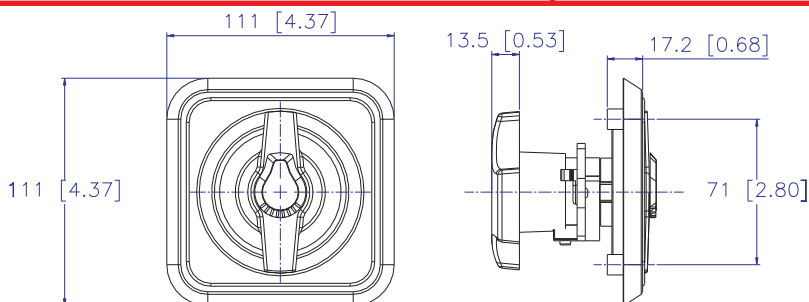
WWW.EURAMTEC.COM



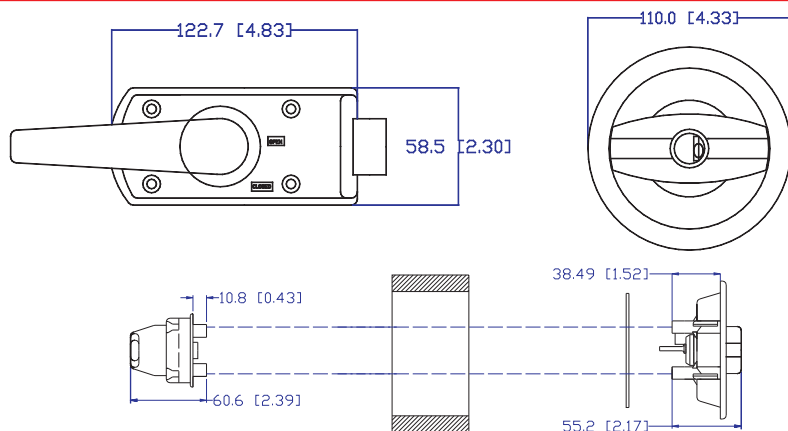
Tel: (248) 473-8660
Fax: (248) 473-8662
sales@euramtec.com

Locking Door Handles

The 67777 Handle is perfect for interior or exterior door applications that require a locking handle. Comes complete with coded key; locking hardware and latches are also available. The 67777 Handle is UV-protected to withstand the elements for exterior use.



The 21009 Door Handle is an ideal choice for entry doors, bathroom doors, compartment doors, or any other door that requires a lock. Its innovative design allows the user to lock the door from the inside by simply lifting up on the handle. The set comes complete with both handle sides, sealing gasket, self-tapping mounting screws, and two handle-specific keys.



Euramtec Corporation

29650 Grand River Ave.
Farmington Hills, MI
48336-5622 U.S.A.

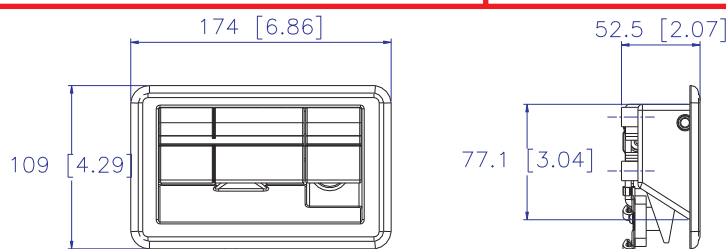
WWW.EURAMTEC.COM



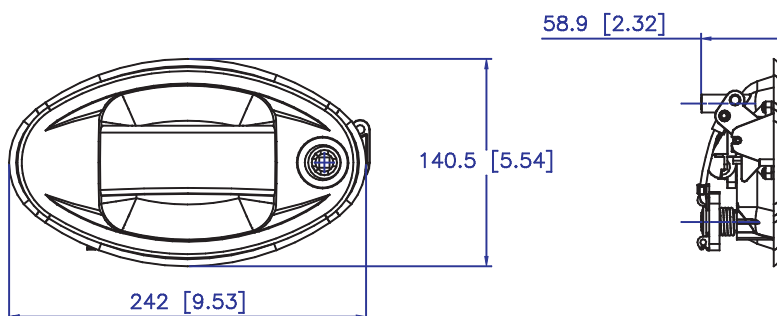
Tel: (248) 473-8660
Fax: (248) 473-8662
sales@euramtec.com

Locking Door Handles (Cont.)

The P.119 Handle is a standard locking door handle for use with entrance and compartment doors. Available in three different operational models: Manual, pneumatic, and electric (operated with an electric actuator). The P.119 is supplied with a standard key/lock combination, but can be supplied with up to 40 different combinations utilizing the patented "JOK" ("Just One Key") system, where the key and locking tumbler are supplied separately from the handle.



The P.397 Handle offers a more streamlined and elegant style, but retains the same basic functions as the P.119 handle. Available in manual, pneumatic, or electrically operated models, the P.397 is only available with the "JOK" ("Just One Key") system, where the key and tumbler are supplied separately, allowing up to 40 different lock/key combinations to be available.



Euramtec Corporation

29650 Grand River Ave.
Farmington Hills, MI
48336-5622 U.S.A.

WWW.EURAMTEC.COM



Tel: (248) 473-8660
Fax: (248) 473-8662
sales@euramtec.com

Electronic Door Handles

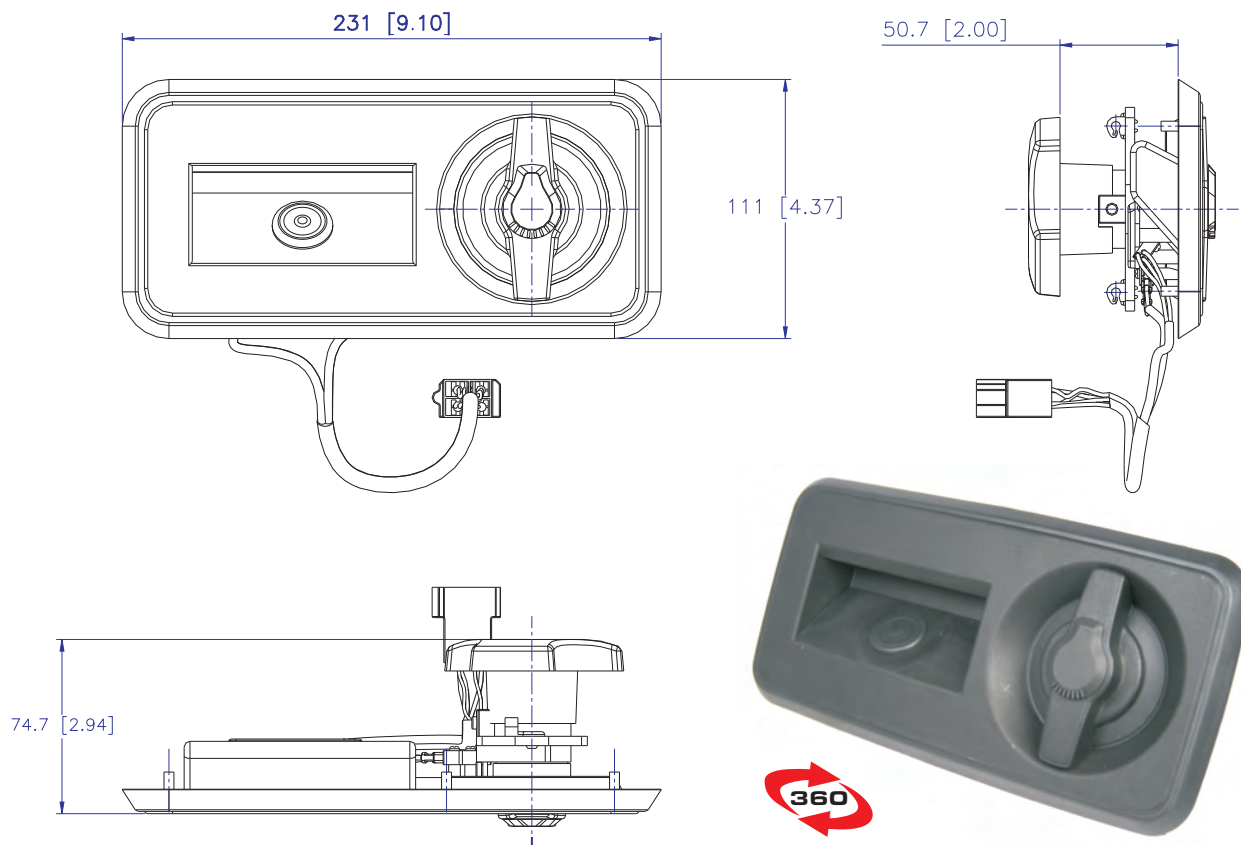
The Euramtec/Prima P.230 Handle is a sophisticated locking door handle that utilizes microswitch technology. The P.230 comes in three different models, each with different characteristics.

The manual model is the most basic version and includes mounting points for all necessary rods and hardware. It contains a microswitch located on the locking mechanism to indicate when the door is in a sealed and locked position.

The electric version retains the same functions as the manual model, but includes connection points on the mechanism designed for use with an electric door actuator. In addition, the electric handle features a second microswitch installed in a push button that allows the door to be easily opened from the outside without turning the latch.

The third model, an electro-pneumatic version, has the same two microswitches as the electric model, but also has a pneumatic microswitch at the input port of the pneumatic manifold for ease opening the door from the inside.

All three models feature UV protection and can be ordered in up to 40 different locking combinations, employing the patented JOK ("Just One Key") concept.



Euramtec Corporation

29650 Grand River Ave.
Farmington Hills, MI
48336-5622 U.S.A.

WWW.EURAMTEC.COM

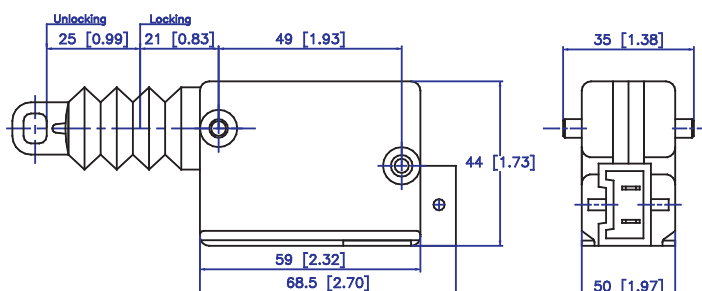


Tel: (248) 473-8660
Fax: (248) 473-8662
sales@euramtec.com

Door Lock Actuators

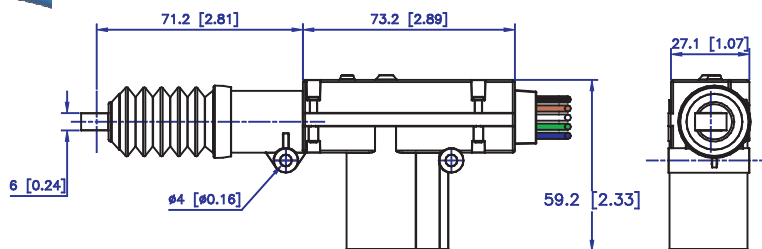
Euramtec Corporation carries a full line of door lock actuators, with varying force and features, to fit your application. For more information, please contact a Euramtec Sales Representative.

The S-ACT-024N-PTC1 Actuator has a force of 24 Newtons (5.4lbs) and is the most compact light-duty actuator Euramtec carries. Most notably, the ACT-024N Actuator contains a thermal circuit protection to preserve the motor in the event of an over voltage or seized condition.



Without Clutch

The classic "gun-style" S-ACT-035N Actuator is ideal for door locks and latches. Featuring integrated mounting points, built-in 200mm wire leads, compact size, and 35 Newtons (7.9lbs) of force, the ACT-035N is the perfect choice for many applications. Available in 2-wire and 5-wire configurations, and comes complete with all necessary mounting hardware.



With Clutch

Euramtec Corporation

29650 Grand River Ave.
Farmington Hills, MI
48336-5622 U.S.A.

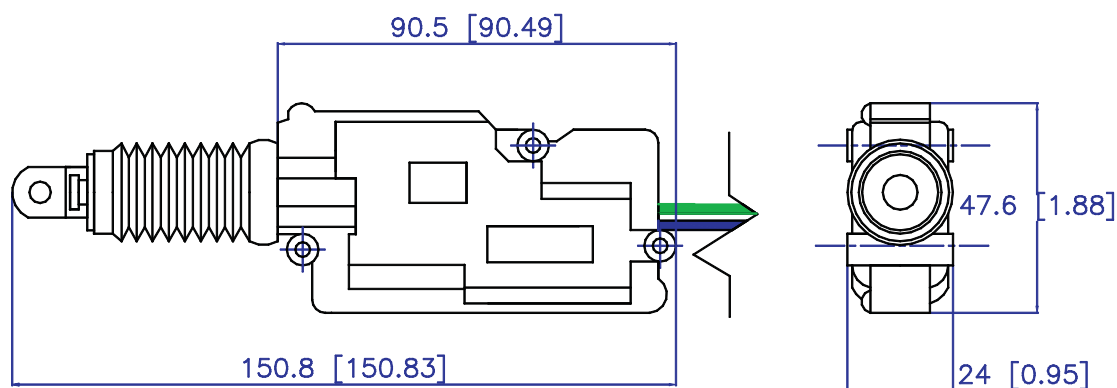
WWW.EURAMTEC.COM



Tel: (248) 473-8660
Fax: (248) 473-8662
sales@euramtec.com

Door Lock Actuators (Cont.)

Euramtec's S-ACT-045N Door Lock Actuator provides high force in a small package. At 45 Newtons (10.1lbs), this actuator has the greatest linear force of any of the actuators. In addition, the ACT-045N incorporates many unique safety features: directed clutch for motor protection, overload protection lock motor, and a water resistant sealing boot. The actuator also features integrated 200mm wire leads, a rotatable and changeable connector head, and comes complete with all necessary mounting hardware.



With Clutch



Euramtec Corporation

29650 Grand River Ave.
Farmington Hills, MI
48336-5622 U.S.A.

WWW.EURAMTEC.COM

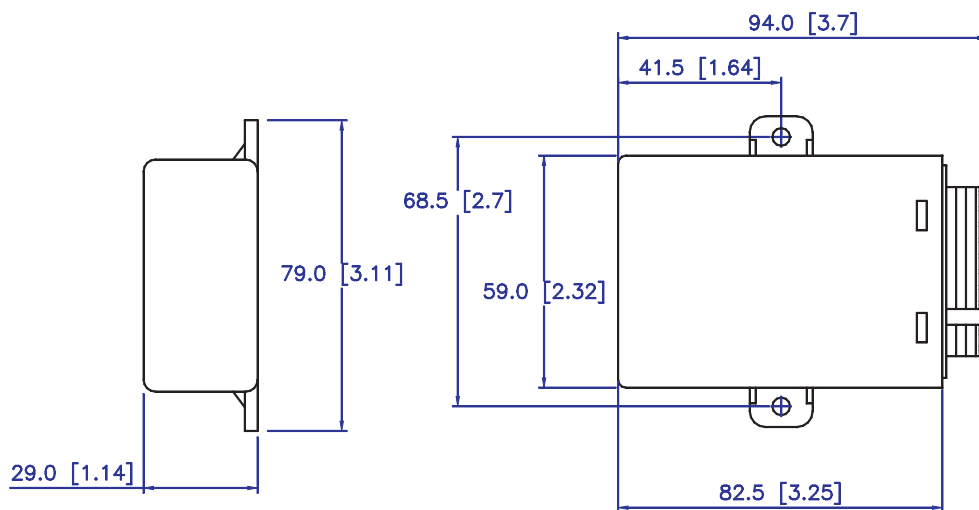


Tel: (248) 473-8660
Fax: (248) 473-8662
sales@euramtec.com

Centralized Locking Module

S-35W


The 35W Locking Module is used to control as many as 5 door lock actuators in a centralized locking system. The unit operates on 12 volts DC and requires an input signal from either a switch or master actuator.


Specifications:

Operating Voltage: 9V to 15V

Maximum Load: 15A

Endurance: 100,00 Cycles

Operational Temperature Range: -50 to +70° C

Time Delay: 0.30 Sec.

Euramtec Corporation

29650 Grand River Ave.
Farmington Hills, MI
48336-5622 U.S.A.

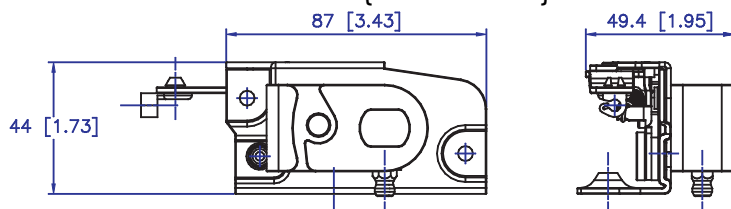
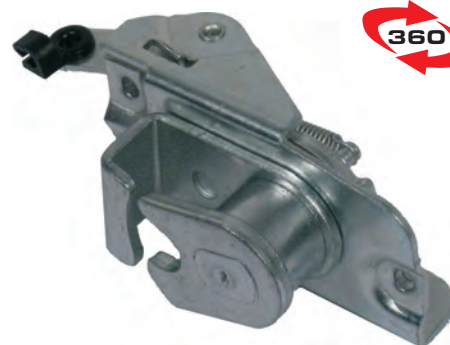
WWW.EURAMTEC.COM


Tel: (248) 473-8660
Fax: (248) 473-8662
sales@euramtec.com

Door Lock Hardware

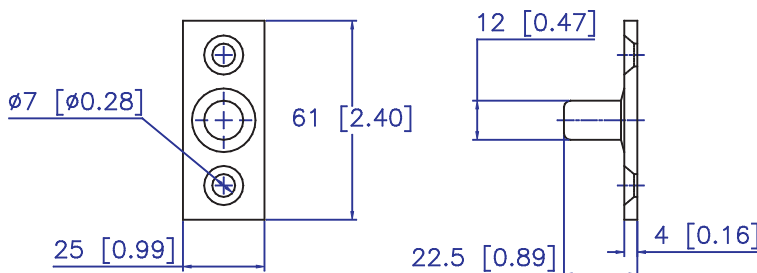
P.70 Forked Lock

Material: Zinc-Plated Steel
 Available Versions: LH (P/N 64957)
 RH (P/N 64967)
 Features: Integrated Lubrication Fitting
 Includes P.94 Rod Clip
 Required Fasteners: M6 Screws (Not Included)



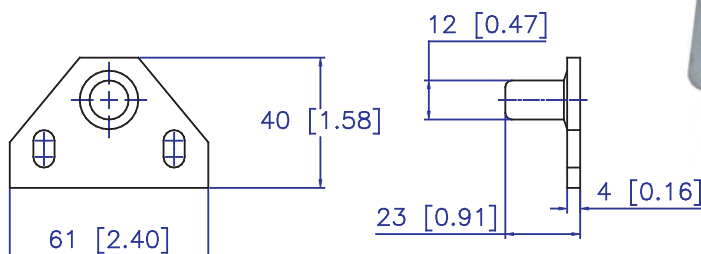
P.70bis Control Pin

Material: Zinc-Plated Steel
 Available Versions: 10mm Pin (P/N 64548)
 12mm Pin (P/N 64981)
 Required Fasteners: M6 Flathead Screws (Not Included)



S-56521 Control Pin

Material: Zinc-Plated Steel
 Features: Slotted Mounting Holes for Fine Adjustment
 Required Fasteners: M6 Flathead Screws (Not Included)



Euramtec Corporation

29650 Grand River Ave.
 Farmington Hills, MI
 48336-5622 U.S.A.

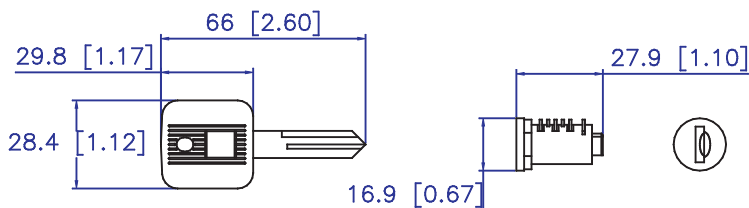
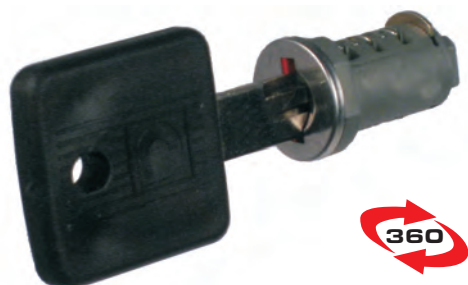
WWW.EURAMTEC.COM



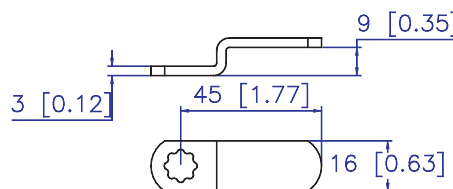
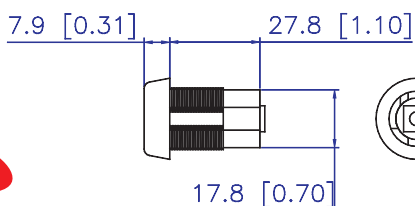
Tel: (248) 473-8660
 Fax: (248) 473-8662
 sales@euramtec.com

Lock Accessories

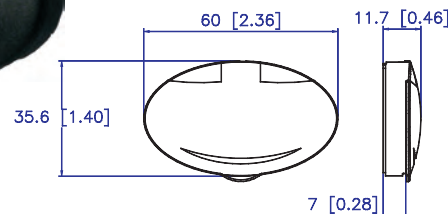
Most of the locking door handles Euramtec carries utilize the patented P.474 "Just One Key" system. With the JOK system, handles and lock components are supplied separately and can be installed with ease. In this way, it is possible to make every lock on a bus accessible with **just one key**. Up to 40 different key/lock combinations are available, please call for more details.



If a custom latch is desired, the P.474 Key/Lock can be combined with the 65639 Stator and 67009 Latch Plate. This offers a simple lock that also employs the JOK concept, where up to 40 different key combinations are available.



Designed with the same styling as the P.397 Door Handle, the 65631 Lock Guard is the perfect choice for battery compartments, maintenance hatches, or any other exterior door. Its polyamide fiberglass construction offers superior weather protection, while its stainless steel pin and spring ensure a lifetime of reliable use. Mounts easily over any lock with two self-tapping screws (not included).



Euramtec Corporation

29650 Grand River Ave.
Farmington Hills, MI
48336-5622 U.S.A.

WWW.EURAMTEC.COM



Tel: (248) 473-8660
Fax: (248) 473-8662
sales@euramtec.com